



# LUND UNIVERSITY

## High Performance LNAs and Mixers for Direct Conversion Receivers in BiCMOS and CMOS Technologies

TIRED, TOBIAS

2012

*Document Version:*

Publisher's PDF, also known as Version of record

[Link to publication](#)

*Citation for published version (APA):*

TIRED, TOBIAS. (2012). *High Performance LNAs and Mixers for Direct Conversion Receivers in BiCMOS and CMOS Technologies* (First ed.). [Licentiate Thesis, Department of Electrical and Information Technology].

*Total number of authors:*

1

*Creative Commons License:*

Unspecified

**General rights**

Unless other specific re-use rights are stated the following general rights apply:

Copyright and moral rights for the publications made accessible in the public portal are retained by the authors and/or other copyright owners and it is a condition of accessing publications that users recognise and abide by the legal requirements associated with these rights.

- Users may download and print one copy of any publication from the public portal for the purpose of private study or research.
- You may not further distribute the material or use it for any profit-making activity or commercial gain
- You may freely distribute the URL identifying the publication in the public portal

Read more about Creative commons licenses: <https://creativecommons.org/licenses/>

**Take down policy**

If you believe that this document breaches copyright please contact us providing details, and we will remove access to the work immediately and investigate your claim.

LUND UNIVERSITY

PO Box 117  
221 00 Lund  
+46 46-222 00 00



Licentiate Thesis

# High Performance LNAs and Mixers for Direct Conversion Receivers in BiCMOS and CMOS Technologies

By

Tobias Tired

Department of Electrical and Information Technology  
Faculty of Engineering, LTH, Lund University  
SE-221 00 Lund, Sweden

## Abstract

The trend in cellular chipset design today is to incorporate support for a larger number of frequency bands for each new chipset generation. If the chipset also supports receiver diversity two low noise amplifiers (LNAs) are required for each frequency band. This is however associated with an increase of off-chip components, i.e. matching components for the LNA inputs, as well as complex routing of the RF input signals. If balanced LNAs are implemented the routing complexity is further increased. The first presented work in this thesis is a novel multiband low noise single ended LNA and mixer architecture. The mixer has a novel feedback loop suppressing both second order distortion as well as DC-offset. The performance, verified by Monte Carlo simulations, is sufficient for a WCDMA application. The second presented work is a single ended multiband LNA with programmable integrated matching. The LNA is connected to an on-chip tunable balun generating differential RF signals for a differential mixer. The combination of the narrow band input matching and narrow band balun of the presented LNA is beneficial for suppressing third harmonic downconversion of a WLAN interferer. The single ended architecture has great advantages regarding PCB routing of the RF input signals but is on the other hand more sensitive to common mode interferers, e.g. ground, supply and substrate noise. An analysis of direct conversion receiver requirements is presented together with an overview of different LNA and mixer architectures in both BiCMOS and CMOS technology.

## Acknowledgements

I would like to thank my supervisor Pietro Andreani at EIT for first of all arranging the position as industry PhD student for me. Secondly I am also grateful for the time he spent reviewing the two papers presented in this Licentiate Thesis. Furthermore I would also like to thank my assisting supervisor Markus Törmänen for reviewing the thesis.

I am also extremely grateful to my wife, Maria and my three children Axel, Nils and Signe for allowing me to spend time writing the two included papers and the thesis during vacations and evenings.

Tobias Tired

Lund, 2012-02-10

# Table of Contents

<b>Abstract</b> .....	<b>2</b>
<b>Acknowledgements</b> .....	<b>3</b>
<b>Table of Contents</b> .....	<b>4</b>
<b>Preface</b> .....	<b>7</b>
<b>Abbreviations</b> .....	<b>9</b>
<b>Part I General Introduction</b> .....	<b>11</b>
<b>1 Introduction</b> .....	<b>12</b>
<b>1.1 Background</b> .....	<b>12</b>
<b>1.2 Cellular radio systems duplexing architectures</b> .....	<b>14</b>
<b>1.3 Silicon process technology choices</b> .....	<b>15</b>
<b>1.4 Thesis structure</b> .....	<b>16</b>
<b>2 Receiver requirements</b> .....	<b>17</b>
<b>2.1 Introduction</b> .....	<b>17</b>
<b>2.2 Sensitivity</b> .....	<b>17</b>
<b>2.3 Single sideband and double sideband noise figure</b> .....	<b>19</b>
<b>2.4 Noise folding</b> .....	<b>19</b>
<b>2.5 Intermodulation</b> .....	<b>20</b>
2.5.1 Introduction.....	20
2.5.2 Second and third order nonlinearities.....	20
2.5.3 Third order nonlinearities.....	21
<b>2.6 Compression</b> .....	<b>22</b>
<b>2.7 Desensitization</b> .....	<b>23</b>
<b>2.8 Harmonic mixing</b> .....	<b>24</b>
<b>2.9 Reciprocal mixing</b> .....	<b>24</b>
<b>2.10 Second order distortion in FDD systems</b> .....	<b>25</b>
<b>2.11 Third order distortion in FDD systems</b> .....	<b>26</b>
<b>2.12 Cross modulation in FDD systems</b> .....	<b>26</b>
2.12.1 Cross modulation from TX-leakage .....	26
2.12.2 Cross modulation in FDD systems with zero-IF receivers.....	28
<b>2.13 Linearity requirements in E-GSM/GPRS/EDGE systems</b> .....	<b>29</b>
<b>3 Receiver architectures</b> .....	<b>30</b>
<b>3.1 Introduction</b> .....	<b>30</b>
<b>3.2 Image rejection</b> .....	<b>30</b>
<b>3.3 The direct conversion receiver</b> .....	<b>31</b>

3.3.1	Direct conversion receiver architecture .....	31
3.3.2	Direct conversion receiver drawbacks .....	31
<b>3.4</b>	<b>The low-IF receiver .....</b>	<b>33</b>
<b>3.5</b>	<b>Receiver architecture summary .....</b>	<b>34</b>
<b>4</b>	<b>Process technology and device performance .....</b>	<b>35</b>
<b>4.1</b>	<b>Introduction .....</b>	<b>35</b>
<b>4.2</b>	<b>Process technology .....</b>	<b>35</b>
<b>4.3</b>	<b>Package technology .....</b>	<b>36</b>
<b>4.4</b>	<b>Substrate coupling .....</b>	<b>37</b>
<b>4.5</b>	<b>Basic equations for the MOS and bipolar transistors.....</b>	<b>38</b>
4.5.1	Introduction.....	38
4.5.2	MOS transistor equations .....	38
4.5.3	Bipolar transistor equations .....	39
<b>5</b>	<b>LNA architectures.....</b>	<b>41</b>
<b>5.1</b>	<b>Introduction .....</b>	<b>41</b>
<b>5.2</b>	<b>Single ended versus differential LNA architectures.....</b>	<b>42</b>
<b>5.3</b>	<b>LNA architectures in CMOS technology .....</b>	<b>42</b>
5.3.1	Common-source LNA with inductive degeneration .....	42
5.3.2	CS-stage LNA with integrated balun.....	50
5.3.3	The common-gate architecture LNA .....	51
5.3.4	The resistive feedback CMOS LNA.....	54
<b>5.4</b>	<b>Noise cancelation.....</b>	<b>55</b>
5.4.1	Introduction.....	55
5.4.2	Noise cancelation with resistive feedback LNA .....	56
5.4.1	Noise cancelation with combination of CG- and CS stage.....	58
<b>6</b>	<b>Mixer architectures .....</b>	<b>62</b>
<b>6.1</b>	<b>Introduction .....</b>	<b>62</b>
<b>6.2</b>	<b>Active mixers .....</b>	<b>63</b>
6.2.1	Introduction.....	63
6.2.2	Single-balanced active mixer .....	63
6.2.3	Double balanced active mixer.....	67
<b>6.3</b>	<b>Passive mixer .....</b>	<b>68</b>
6.3.1	Introduction.....	68
6.3.2	Passive mixer second order distortion.....	69
6.3.3	Differential passive mixer with four-phase clock.....	71
6.3.4	Passive mixer frequency translation .....	74
<b>7</b>	<b>Future radio architectures .....</b>	<b>76</b>
<b>7.1</b>	<b>Introduction .....</b>	<b>76</b>
<b>7.2</b>	<b>Duplexer elimination.....</b>	<b>76</b>
<b>7.3</b>	<b>E-GSM SAW-filter elimination.....</b>	<b>77</b>

<b>8</b>	<b>Conclusions</b> .....	<b>79</b>
	<b>References</b> .....	<b>80</b>
	<b>Part II Included papers</b> .....	<b>89</b>
	<b>Summary of included papers</b> .....	<b>90</b>
	<b>Paper I</b> .....	<b>91</b>
	<b>Paper II</b> .....	<b>120</b>

# Preface

This licentiate thesis is about some of the work made by me on the topic of linear LNAs and mixers for direct conversion receivers. The publications have been made in parallel with my work at the RF technology department at ST-Ericsson. Having a background in the wireless industry has given me valuable experience for writing this thesis. To be commercially viable new radio front end architectures must fulfill hard requirements determined by the 3GPP organization as well as chip set customers. The front-end requirements are analyzed in the first part of this work. Several alternative LNA and mixer architectures are also provided. In the second part, two of my publications regarding linear LNAs and mixers are included. The first paper describes the design and simulations of a single ended LNA and single ended mixer implemented in BiCMOS technology. The second paper regards a low noise single ended multiband amplifier with tunable on-chip matching implemented in CMOS technology. The performance of the published architectures are well in-line with the front-end requirements that are discussed in the first part of the thesis.

## Included publications

- I. T. Tired, "A BiCMOS single ended multiband RF-amplifier and mixer with DC-offset and second order distortion suppression", *Springer Analog integrated circuits and signal processing*, vol. 68, no. 3, pp. 269-283, 2011.
- II. T. Tired, "Single Ended Low Noise Multiband LNA with programmable integrated matching and high isolation switches", in the proceedings of *NORCHIP 2011*, ISBN 978-1-4577-0514-4, pp 1-4, Nov. 2011

## Other publications

- I. Y. Le Guillou, O. Gaborieau, P. Gamand, M. Isberg, P. Jakobsson, L. Jonsson, D. Le Deaut, H. Marie, S. Mattisson, S. L. Monge, T. Olsson, S. Prouet, T. Tired, Philips Semiconductors., Caen, France, "Highly integrated direct conversion receiver for GSM/GPRS/EDGE with on-chip 84-dB dynamic range continuous-time  $\Sigma\Delta$  ADC",



*IEEE Journal of Solid State Circuits*, vol. 40, no. 2, pp. 403-411, Feb. 2005

- II. Luca Vandi, Pietro Andreani, Tobias Tired, Sven Mattisson, "A novel approach to negative feedback in RX front-ends", in the proceedings of *NORCHIP 2006*, ISBN 1-4244-0772-9, pp. 231-234, Nov. 2006
  
- III. M. Nilsson, S. Mattisson, N. Klemmer, P. Andreani, T. Tired et al, "A 9 band WCDMA/EDGE transceiver supporting HSPA evolution", in the proceedings of *2011 International Solid State Circuits Conference (ISSCC)*, ISBN 978-1-61284-303-2, pp. 366-368, Feb, 2011

# Abbreviations

LNA	Low Noise Amplifier
E-GSM	Extended Global System for Mobile communication
LTE FDD	Long Term Evolution Frequency Domain Duplex
LTE TDD	Long Term Evolution Time Domain Duplex
WCDMA	Wideband Code-Division Multiple Access
PCB	Printed Circuit Board
SAW	Surface Acoustic Wave
RFIC	Radio Frequency Integrated Circuit
WLAN	Wireless Local Area Network
GPS	Global Positioning System
WiMAX	Worldwide Interoperability for Microwave Access
TD-SCDMA	Time Division Synchronous Code Division Multiple Access
TD-CDMA	Time Division Code-Division Multiple Access
CMOS	Complementary Metal Oxide Silicon
BiCMOS	Bipolar Complementary Metal Oxide Semiconductor
SNR	Signal-to-noise ratio
BER	Bit-error-rate
QAM	Quadrature Amplitude Modulation
GPRS	General Packet Radio Service
EDGE	Enhanced Data Rates for GSM Evolution

LO	Local Oscillator
CW	Continuous Wave
AM	Amplitude modulation
VCO	Voltage Controlled Oscillator
PCB	Printed Circuit Board
Wi-Fi	Wireless Fidelity

# **Part I**

## **General Introduction**

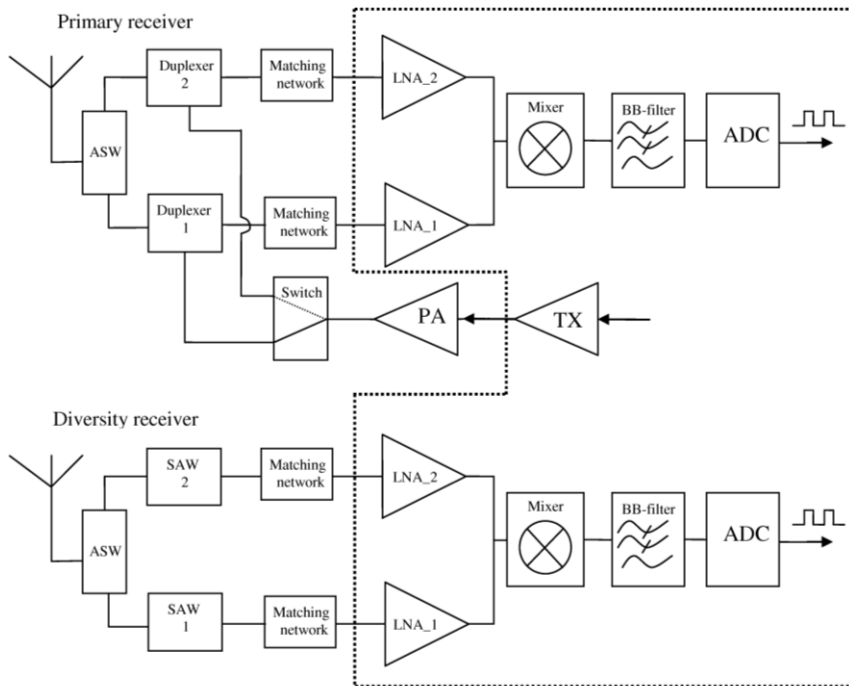
# CHAPTER 1

## 1 Introduction

### *1.1 Background*

The first chipsets targeted for E-GSM [1] in the 1990s only supported one single frequency band. Since then there has been a tremendous growth in the number of subscribers of different cellular radio systems. This development has also resulted in an increase in the number of frequency bands a cell phone must support since different operators over the world have licenses for different parts of the frequency spectrum. For LTE FDD [2], [3] receive frequency bands between 700MHz and 2700MHz are defined while LTE TDD [2], [3] operates in bands between 1800MHz and 3800MHz. For the cell phone user multiband operation offers great advantages while moving across operator regions but for the chipset manufacturer multiband support also results in increased complexity of the RF front end, both on-chip and on the PCB. The increased complexity also increases the importance of designing new front end solutions to keep the cost low for the complete radio transceiver. However, new innovative solutions are always benchmarked against old architectures in terms of current consumption, performance and die area thereby making the implementation of new ideas a very challenging task. Both paper I and II in this thesis concerns single ended LNA and mixer architectures. The single ended topology is used to reduce the complexity of the multiband front end.

The illustration of the multiband direct conversion receiver [4], [5] in Fig.1 is simplified and only shows two LNAs in the primary and diversity receiver chains. In reality an implementation that covers the majority of the WCDMA or LTE frequency bands plus the E-GSM bands contains a larger number of LNAs. The mixer is however as illustrated shared between the LNAs. The received RF signal is downconverted in the mixer and low-pass filtered in the baseband filter. An analog to digital converter, ADC, converts the analog signal into a bit stream for subsequent processing. The introduction of antenna diversity [6] doubled the number of required LNAs. When support for antenna diversity is implemented the receiver contains two independent receiver chains connected to separate antennas as depicted in Fig.1. In e.g. urban environments the radio signal is reflected against buildings and destructive interference can occur due to multipath propagation. Having two receivers connected to different antennas separated by a small distance reduces the impact of deep fading dips significantly.



**Fig.1. Multiband direct conversion receiver with primary and diversity receiver chains**

Each RF input, except the diversity inputs, needs a dedicated duplexer for the supported frequency band if the radio system is operating in full duplex e.g. WCDMA [3] and LTE [3]. The purpose of the duplexer is to attenuate the transmitted signal from the power amplifier, denoted PA in Fig. 1, in order for this signal not to compress the receiver. If the RF input is used for a TDD [3] system like E-GSM a SAW filter is required in order to attenuate the out of band interferers [7]. Typically the duplexer or SAW-filter is required to be matched to  $50 \Omega$  impedance in a single ended architecture. If a differential LNA is used the RX impedance is higher, e.g.  $100 \Omega$  or  $200 \Omega$ . Each LNA normally needs off-chip matching components to fulfill the matching requirement. This adds both cost and PCB area. A solution with programmable on-chip matching is presented in paper II. The PCB routing of the RF input signals from the antenna switch, through the duplexers, to the RFIC becomes increasingly more complex as more frequency bands are added.

The direct conversion receiver radio architecture has been the dominating architecture in cellular RF chipsets for more than 10 years. It has a lot of advantages but also some drawbacks, especially in a FDD radio system. The main advantage is that the IF-filter present in the superheterodyne receiver [4] is

eliminated. The drawback is the receiver sensitivity to second order distortion. In radio systems like WCDMA and LTE the transmitter and receiver are on simultaneously. The transmit signal is a digitally modulated signal that contains both amplitude and phase modulation. A small part of the transmit signal leaks into the receiver where the amplitude part of the modulation together with second order distortion in the LNA and mixer will cause an in-band interferer that cannot be removed and therefore causes the bit-error-rate (BER) of the receiver to increase for high transmit powers. This is troublesome since the typical scenario when transmitting with full power coincides with the fact that high sensitivity is also required, i.e. the terminal is very far from the base station. In Paper II a single ended mixer is presented with a feedback loop that suppresses second order distortion. A second drawback associated with the direct conversion receiver is that this architecture is sensitive to low frequency flicker noise. A third drawback of this architecture is the impact of DC-offsets in the receiver chain on the receiver performance [5].

The low noise amplifier (LNA) and mixer are the key building blocks when designing a receiver. By designing these two blocks with high performance regarding e.g. noise figure, gain and linearity, the specifications of the succeeding blocks, i.e. baseband filter and the analog to digital converter (ADC), can be relaxed. Designing high performance LNA and mixers are therefore of highest importance since these building blocks determine many of the overall system parameters of the radio receiver, e.g. sensitivity and blocking.

Lately coexistence issues [8] between cellular systems and other radio technologies like WLAN [8], Bluetooth [1] and Global Positioning System (GPS) have been getting higher attention since support for these radio standards are now more frequently integrated in the cell phone. In a handheld device there are typically one antenna for the cellular transceiver and another antenna for e.g. WLAN in close proximity. The isolation between these antennas is rather low, in the range of 10-15dB, resulting in that a large interferer will leak into the cellular receiver. This can result in receiver performance degradation, especially if a broadband LNA without selectivity is used. There are however several ways to reduce this interferer by novel LNA and mixer design.

## ***1.2 Cellular radio systems duplexing architectures***

All standards for cellular communications systems specify a way to send and receive data simultaneously. This is denoted as duplexing. There are two basic concepts to achieve this, FDD, frequency division duplex and TDD, time division duplex. In TDD systems the same frequency is used both to receive and transmit but transmission and reception occurs at different time slots. In FDD systems the receiver and transmitter are using different frequencies separated by the duplex distance. Some cellular standards have both a TDD and a FDD mode, i.e. WiMAX

[10] and LTE [3]. Typical TDD systems are E-GSM [1], Time Division Code-Division Multiple Access (TD-CDMA) [2], Time Division Synchronous Code Division Multiple Access (TD-SCDMA) [2], and LTE TDD [3]. WCDMA [3] and LTE FDD [3] are well known FDD systems.

There are advantages and drawbacks related to both TDD and FDD systems. The fact that the transmitter and receiver are simultaneously turned on in a FDD system increases the requirements on the receiver since it must be designed in such a way that it can withstand any performance degradation caused by transmit signal. In order to relax the requirements on the receiver a duplexer is connected after the antenna to separate the transmit and receive frequencies. FDD systems must have a frequency distance between the transmit and receive frequencies that is large enough to achieve enough filtering in the duplexer. On the other hand a TDD system needs a distance in time to separate the transmit and receive signal [11]. One drawback associated with TDD systems is that the time distance must increase if the distance between the base station and the mobile is large, i.e. in large cells [12]. This thesis only considers radio architecture issues related to FDD systems.

### ***1.3 Silicon process technology choices***

Today the RF CMOS technology is the dominating process choice for the wireless industry. For ASICs that are to be implemented in high volume consumer products cost is the main driver for choosing process technology. Some years ago when RF CMOS devices were not performing as well as their bipolar counterparts the BiCMOS technology was the technology of choice offering both high performance devices for RF design as well as CMOS devices for the digital part. Advances in RF CMOS process technology has resulted in devices with a transit frequency ( $f_T$ ) exceeding 300GHz in the 28nm process node [13]. Devices with low  $F_{min}$  are available that enables the design of low noise amplifiers. The main difference compared to digital CMOS is that the RF CMOS process has a process option with low resistance metal layers in order to implement on chip inductors with high Q-values. RFICs developed today include an increasingly large digital part for each generation making future process scaling important for cost effectiveness. The BiCMOS technology has evolved into the silicon germanium (SiGe) BiCMOS process [14]. With this technology high performance heterojunction [14] devices are available with high  $f_T$ . SiGe BiCMOS is popular for designing e.g. power amplifiers due to its higher breakdown voltages compared to RF CMOS as well as lower power consumption [14]. The LNA and mixer described in Paper I of this thesis is implemented in BiCMOS technology while the LNA presented in paper II is designed in a 90nm CMOS process.



## ***1.4 Thesis structure***

The first part of the thesis provides the theoretical background that constitutes the base for the two included publications. The radio requirements, e.g. sensitivity, intermodulation and compression are described in chapter 2. An overview of receiver architectures besides the direct conversion receiver is provided in chapter 3. In chapter 4 key device parameters are compared for bipolar and CMOS technology. In chapter 5 the package technology evolution from wire-bonded to wafer-level packaging is described. Different LNA architectures, i.e. single-ended, balanced, narrow-band, broadband architectures, are described in chapter 5 together with the key LNA performance parameters. In chapter 6 the mixer non-idealities are described together with a comparison between different mixer architectures, i.e. active mixers and passive mixers in their single ended and double balanced versions. Future radio architectures targeted towards SAW-less E-GSM receivers and FDD systems without duplexers are described in chapter 7. The conclusions are given in chapter 8.

In the second part the two included publications are discussed. Paper I describes the design and simulation of a novel single ended LNA and mixer designed in BiCMOS targeted for direct conversion architectures. The single ended mixer has a feedback loop around the mixer switching core to reduce the second order distortion. The third order distortion is minimized through a feedback loop in the mixer transconductance stage. Paper II is a conference paper that describes the design of a single ended multiband CMOS LNA with integrated matching inductor. The matching can be programmed for different frequency bands using switched capacitors. The different band inputs are connected to the multiband LNA through programmable switches that provide both high isolation and low on-resistance depending on which mode they are in.

# CHAPTER 2

## 2 Receiver requirements

### 2.1 Introduction

Radio communication standards, such as GSM/EDGE [15], WCDMA, LTE and WiMAX use a variety of modulation schemes for transmitting and receiving data. The requirements on the signal-to-noise ratio, SNR, at the detector to achieve a certain bit-error-rate (BER) [16] are therefore different. High data rates in the downlink using modulation schemes as e.g. 64-QAM [16] are actually only possible to achieve when the signal strength is high. The receiver requirements on the individual blocks will also depend on which architecture is used. The zero-IF architecture is the most commonly used but the linearity requirements on the LNA and mixer are harder compared to a super heterodyne topology. In this chapter a zero-IF architecture is assumed when the requirements are analyzed.

### 2.2 Sensitivity

One of the most important metrics of the receiver is its sensitivity [17]. The receiver sensitivity is defined as the minimum input radio signal that results in a certain bit-error-rate. Typically a receiver of today has a sensitivity that is better than -110dBm. Even though such high sensitivity is not required by standardization organs, e.g. 3GPP [3], the metric is used to compare radio architectures between competitors. A high sensitivity is beneficial when designing a cellular radio network since high sensitivity means that the radio base stations do not have to be that densely located that would have been the situation if the terminals within the network would have had lower sensitivity.

The sensitivity of the receiver is affected by several parameters:

- the noise figure, NF, of the integrated receiver
- the insertion loss in the antenna switch receive path
- the insertion loss in the external filters, i.e. the E-GSM SAW filters and the duplexers for FDD systems

- the required minimum carrier to noise and interference ratio,  $C/(N+I)$  for the detector

The stringent requirements on sensitivity strongly limit the radio architectures that are possible to implement in order to achieve a sensitivity that is as high as -110dBm. Regarding e.g. LNA architectures, topologies that have advantages such as broadband input matching and high linearity as the common-gate architecture are not often implemented in a cellular terminal. This is due to that the noise figure of the common-source LNA is slightly lower than for a common-gate LNA under certain bias conditions and operating frequencies [18]. In the link budget the receiver noise figure is balanced against the requirements for linearity. Too high gain in the first stages of the receiver, i.e. the LNA and mixer is advantageous for the total noise figure but the linearity is usually compromised resulting in an overall reduction of the carrier to noise and interference ratio. Typically the integrated receivers of today have a noise figure of 2.5-3dB including the noise from the external matching components for the LNA.

Thermal noise in the resistance of the signal source puts a fundamental limit on the minimum input signal that can be detected by the receiver [17]. When the power of the signal is reduced below the noise level of the source resistance the signal can no longer be distinguished from the noise. The available noise power  $P_{NA}$  [17] is defined by (1) where  $k$  equals Boltzmann's constant ( $1.38e-23J/K$ ),  $T$  is the absolute temperature in Kelvin and  $\Delta f$  equals the noise bandwidth in Hz.

$$P_{NA} = kT\Delta f \quad (1)$$

At  $T=T_0=290K$  the available noise power  $P_{NA}$  with  $\Delta f = 1Hz$  equals  $4.00e-21W$  or -174dBm. The noise figure (2) of the receiver is defined by the SNR at the receiver input and output [4].

$$NF = SNR_{in} / SNR_{out} = P_{sig} / P_{R\_source} / SNR_{out} \quad (2)$$

$P_{sig}$  is defined as the power of received signal per unit bandwidth and  $P_{R\_source}$  is the noise power of the source resistance per unit bandwidth. Solving for  $P_{sig}$  and integrating over a certain bandwidth  $\Delta f=B$  gives the signal power  $P_{sig\_BW}$ .

$$P_{sig\_BW} = P_{R\_source} \cdot NF \cdot SNR_{out} \cdot B \quad (3)$$

The receiver sensitivity can be calculated using equation (3) and the minimum required SNR value for the detector [4]. The noise power of the source resistance  $P_{R\_source}$  is then equal to -174dBm/Hz.

$$P_{sensitivity} = P_{R\_source\_dBm/Hz} + NF_{dB} + SNR_{min\_dB} + 10 \log B \quad (4)$$

Inserting typical values for E-GSM, i.e.  $NF=3.5dB$  including SAW filter and antenna switch,  $SNR_{min\_dB} = 10dB$  and  $B=135 kHz$  then gives a sensitivity of -109dBm which is approximately the performance of a receiver today.

### 2.3 Single sideband and double sideband noise figure

The measured noise figure of the direct conversion receiver is given by the double sideband noise figure,  $NF_{DSB}$ . With this definition of noise figure the image and the wanted RF signal are down converted to the same baseband frequency. With the single sideband noise figure definition,  $NF_{SSB}$ , noise at the image frequency is downconverted to the same baseband frequency as the wanted signal. However, since there is no signal at the image frequency for the single sideband noise figure definition, the SNR of the baseband signal decreases. The noise figure definitions [4] are outlined in Fig. 2. Compared to the single sideband noise figure,  $NF_{SSB}$ ,  $NF_{DSB}$  is 3dB less than  $NF_{SSB}$  if the noise level at the wanted and image frequency are the same.

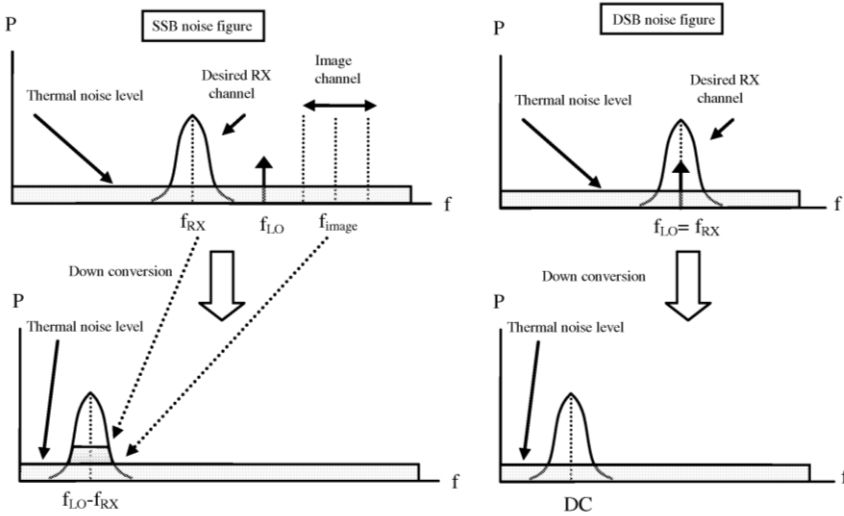


Fig. 2. Single and double sideband noise figure definitions

### 2.4 Noise folding

The mixer LO signal is a square wave, i.e. ideally its Fourier transform only contains odd harmonics of  $f_{LO}$ . In a mixer noise at odd harmonics of  $f_{LO}$  is down converted to baseband frequencies as well [17]. The degradation of the noise figure due to noise folding can be significant, especially if a broadband LNA is used. The programmable active mixer in paper I uses a tunable low-pass filter in the transconductance amplifier to attenuate the noise at  $3f_{LO}$ .

## 2.5 Intermodulation

### 2.5.1 Introduction

Intermodulation is a key parameter when defining the receiver requirements. The nonlinearities of the receiver can generate in-band intermodulation distortion from two interfering signals that are located outside the channel bandwidth. The interfering signals can originate from the transmitted signals from the base station to neighboring cellular terminals, from the transmitter of the own terminal or from the transmitter of other terminals. Different radio communications systems deployed in the same area might cause undesired interaction.

### 2.5.2 Second and third order nonlinearities

#### 2.5.2.1 Second order nonlinearities

The interferer is in certain cases a modulated signal that contains both AM and FM modulation. The AM modulation of the signal can be represented by a two-tone interferer with two close frequencies,  $f_{TX1}$  and  $f_{TX2}$ , separated by the modulation frequency. For WCDMA or LTE the largest modulated signal is the TX leakage signal into the LNA through the finite isolation of the duplexer. The maximum receiver  $IM_2$  level due to TX-leakage is specified in a 3GPP test case defining the minimum receiver sensitivity while transmitting at full power, i.e. 24dBm. This is depicted in Fig. 3 with second order distortion generated at the interferer difference frequency  $f_{IM2} = f_{TX1} - f_{TX2}$  [19].

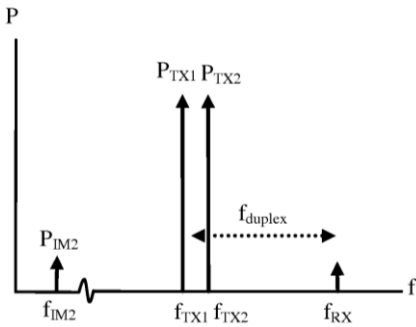


Fig. 3. Second order distortion with AM modulated TX-leakage

The nonlinear system consisting of the LNA and mixer can be represented with a mixer output signal  $y(t)$  and an input signal  $x(t)$ . If only second and third order nonlinearities are accounted for the output signal is given by (5).

$$y(t) = a_1x(t) + a_2x^2(t) + a_3x^3(t) \quad (5)$$

If the input signal is the two-tone interferer at  $\omega_1$  and  $\omega_2$ ,  $x(t)$  is given by (6) where  $A$  is the signal amplitude of the interferers.]

$$x(t) = A \cos(\omega_1 t) + A \cos(\omega_2 t) \quad (6)$$

The second order nonlinearity will create second order distortion products,  $y_2(t)$  defined by (7) [20]

$$y_2(t) = a_2 A^2 \left( 1 + \frac{1}{2} \cos(2\omega_1 t) + \frac{1}{2} \cos(2\omega_2 t) + \cos((\omega_1 + \omega_2)t) + \cos((\omega_1 - \omega_2)t) \right) \quad (7)$$

The second order intermodulation products are created at frequencies  $\omega_1 + \omega_2$ ,  $\omega_1 - \omega_2$  and DC [19], [20]. The power of the intermodulation products is calculated by squaring and integrating the contributions in (7). In power the  $IM_2$  products are then distributed as 50% (-3dB) at DC, 25% (-6dB) at  $\omega_1 + \omega_2$  and 25% (-6dB) at  $\omega_1 - \omega_2$ . With the second order intercept point referred to the input denoted as  $IIP_2$  and if each of the two input tones has the power  $P$ , the following applies in log-scale for the second order intermodulation product  $P_{i_{IM2}(f_1-f_2)}$  calculated back to the LNA input [19]

$$P_{i_{IM2}(f_1-f_2)} = 2P - IIP_2 \quad (8)$$

### 2.5.3 Third order nonlinearities

If the two-tone input signal is given by (9) with different amplitudes  $A_1$  and  $A_2$  the third order nonlinearity of (5) will create low frequency third order intermodulation products given by (10) [20]. The interferer scenario is depicted in Fig. 4. with two interferers at  $f_1$  and  $f_2$ .

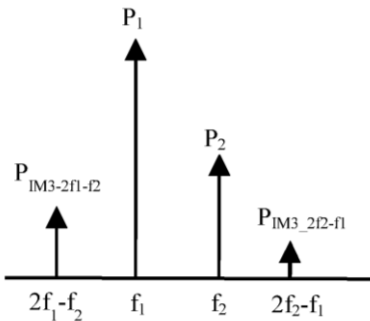


Fig. 4. Third order distortion with interferers of different powers

$$x(t) = A_1 \cos(\omega_1 t) + A_2 \cos(\omega_2 t) \quad (9)$$

Third order intermodulation products will be generated at  $2f_1-f_2$ ,  $2f_2-f_1$ ,  $2f_1+f_2$  and  $2f_2+f_1$ . Only the two first products as defined by (10) are of interest in a receiver.

$$y_3(t) = \frac{3}{4}a_3A_1^2A_2 \cos(2\omega_1 - \omega_2)t) + \frac{3}{4}a_3A_2^2A_1 \cos(2\omega_2 - \omega_1)t) + \dots \quad (10)$$

With the input third order intercept point defined as  $IIP_3$ , the  $IM_3$ -product at  $2\omega_2 - \omega_1$  in log-scale is given by (11) [20].

$$P_{IM_3-2\omega_2-\omega_1} = 2P_2 + P_1 - 2IIP_3 \quad (11)$$

For the  $IM_3$ -product at  $2\omega_1 - \omega_2$  (12) applies [20].

$$P_{IM_3-2\omega_1-\omega_2} = 2P_1 + P_2 - 2IIP_3 \quad (12)$$

Setting  $P_1 = P_2 = P$  gives the intermodulation product defined by (13).

$$P_{IM_3} = 3P - 2IIP_3 \quad (13)$$

## 2.6 Compression

Compression of a receiver occurs when the input signal level is high enough that the receiver is close to clipping. The nonlinearities of the receiver are then increasing rapidly with input power and the gain is reduced. The compression point,  $CP_{1dB}$ , is defined as the input power where the gain has dropped by 1dB. Typically there are requirements on two different compression cases. In the first case the wanted signal is compressing the receiver. This can occur if the cellular terminal is close to the base station. The maximum power of the WCDMA wanted signal is -25dBm [3] With a strong wanted signal the gain of the receiver chain can be reduced while still maintaining a SNR that is high enough that the bit-error rate, BER, is not affected. Typically the gain in both the LNA and the baseband filter is programmable. In paper I the gain switch is implemented in the transconductance amplifier. In paper II the gain of the LNA is altered by reducing the bias current of the LNA. The 50  $\Omega$  input matching is maintained by tuning the on-chip matching. In the second case an out of band signal or a signal close to the received channel is the interferer that compresses the receiver. The receiver must be able to handle this signal level otherwise desensitization [4] will occur. For interferers that are outside the channel bandwidth compression typically occurs before the low pass baseband filter, i.e. in the LNA and mixer. To avoid cross compression of the small wanted signal by the interferer the biasing current must be increased.

The external filters preceding the LNA, i.e. the SAW filter in GSM and the duplexer in WCDMA and LTE FDD attenuate out of band interferers. In GSM the largest interferer is at 0dBm [3]. In WCDMA and LTE it is reduced to -15dBm [3], [20]. Without the GSM SAW filter the current consumption of the LNA would become unreasonably high. The requirement that is defining the GSM cross compression point is instead the blocking signal at  $\Delta f=3\text{MHz}$  from the carrier. For

this interferer  $CP_{1dB}$  should be at least  $-23dBm$  [3]. For FDD systems, e.g. WCDMA and LTE FDD the required compression point is defined by the transmitter signal that leaks through the duplexer. A duplexer typically has a TX to RX attenuation of 50-55dB. The maximum output power at the antenna is  $+24dBm$  [3]. If the combined insertion loss in the TX path of the duplexer plus the antenna switch is 2dB the required output power from the power amplifier is  $+26dBm$ . If a duplexer isolation of 52dB is assumed the TX power is  $-26dBm$  in RX. This is the largest interferer that the WCDMA/LTE receiver must handle. The  $-15dBm$  out-of-band interferer is attenuated by the duplexer to  $-$ around  $45dBm$  [20] The instantaneous power is higher though due to that certain modulation schemes, have a crest factor [21] that increases the peak power.

Recently there have been a lot of research activities in receiver architectures that can handle large interferers without depending on external SAW filters in GSM/GPRS/EDGE [22], [23], [24] or duplexers in WCDMA/LTE [25], [26]. As the cellular terminal supports an increasing number of frequency bands, the cost of the external filters is in the same range as the RF ASIC itself.

## ***2.7 Desensitization***

Receiver desensitization [4] is a reduction of the receiver sensitivity when a large interferer is present simultaneously as the desired signal. The desensitization is a combination of several effects. When the amplitude of the interferer is increased above a certain level the gain of the wanted signal starts to decrease. This is denoted as cross compression of the receiver. If the gain of the LNA and mixer is reduced the noise of the baseband filter and ADC will be more visible, i.e. the receiver noise figure is increased. In a FDD system like WCDMA or LTE FDD the worst interferer is the own modulated transmitter signal. Second order nonlinearities in the receiver will generate an in-band interferer that will cause desensitization. The active mixer presented in paper I is programmable in two modes depending on the TX power. For low TX power the transconductance stage is DC coupled to the mixer switching core. For high TX power the low frequency  $IM_2$  products are heavily attenuated using AC coupling. The current consumption of the mixer is significantly reduced in the DC coupled mode. Another effect causing receiver desensitization is the down conversion of the TX phase noise at the receiver LO frequency. The TX noise leaks into the receiver through the finite isolation of the duplexer. This puts requirements on the VCO, the LO path and the IQ modulator [25]. At present a typical receiver has an overall noise figure of 2.5-3dB and is specified with 0.5-1dB noise figure degradation due to the TX-leakage at full output power. [25]. The duplexer with its high TX to RX isolation reduces the desensitization but also adds insertion loss [26].

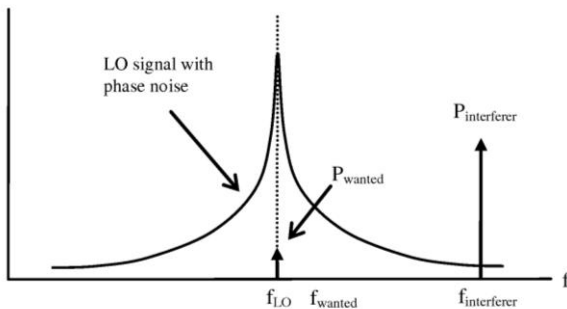


## 2.8 Harmonic mixing

The mixer LO signal is a square wave, i.e. ideally its Fourier transform only contains odd harmonics of  $f_{LO}$ . The wanted RF signal is down converted with the fundamental tone of the LO signal to a baseband signal. However, the harmonics down convert RF signals to exactly the same baseband signal. This will deteriorate the receiver performance especially when large interferers are present at  $n*f_{LO}$ . The square wave shape of the LO signal is necessary in order to achieve a low noise figure and high linearity of the mixer [4]. The interferer that is down converted by harmonic mixing could be generated within the cellular terminal itself. Radio communication systems like e.g. WLAN [27] will in the nearby future more often be integrated in the terminal together with the cellular radio. These coexistence issues [28] become increasingly complex as the cellular terminal supports more communication standards. At present a lot of research is being done on SAW-less receivers [22], [23], [24] with no filtering before the LNA. In these novel architectures harmonic mixing is one of the main obstacles. There are several ways to address the issue with harmonic down conversion. One way is not to use broadband LNAs without selectivity. The LNA in paper II uses programmable narrow band matching in combination with a tunable narrow band balun to reduce the harmonic mixing at  $3f_{LO}$ . Another way is to use an eight phase mixer [29] that mimics the sinusoidal LO signal using a sequence of eight square-wave shaped LO signals. With this solution the noise figure and linearity is not compromised.

## 2.9 Reciprocal mixing

Reciprocal mixing [4] is an undesired effect that result in downconversion of an interferer by the phase noise of the LO signal. This is depicted in Fig. 8 outlining the interferer scenario with a small wanted signal and a large interferer.



**Fig. 5. Reciprocal mixing**

The interferer will be downconverted to DC by the phase noise. With a high power interferer the noise in the downconverted desired channel will be significant. The reciprocal mixing effect sets a limit on the maximum phase noise at the interferer frequency.

## 2.10 Second order distortion in FDD systems

For WCDMA there are both in-band and out-of-band requirements that are defined by the receiver second order linearity. The in-band requirements are defined by the in-band blocking test with a modulated blocking signal at either 10MHz or 15MHz offset from the wanted signal. Second order distortion generates intermodulation products inside the bandwidth of the wanted signal. It is however not the in-band requirement that defines the minimum  $IIP_2$  of receiver, this is determined by the out-of-band requirement, i.e. the own TX-leakage. The receiver  $IM_2$  level due to TX-leakage is tested in a 3GPP standard test case [3] that specifies the minimum required sensitivity while the TX signal is at maximum power level, i.e.+24dBm, at the antenna. Sensitivity to second order distortion is one of the most important drawbacks with the zero-IF receiver [5]. As depicted in Fig. 3 second order intermodulation products are created by the AM-modulated TX-leakage. There are four mechanisms that generate second order distortion from AM-modulated TX-leakage in a zero-IF receiver [5], [20], [32]-[37].

### 1. RF self-mixing

The RF signal can leak to the LO signal in the mixer through parasitic coupling in the mixer switching core devices [5]. If the LO-amplitude is not high enough the mixer behaves like a linear multiplier [30] and the mixer output will contain a signal that is proportional to the square of the input signal i.e. an  $IM_2$  product.

### 2. Second order nonlinearity in the mixer transconductance stage

The transconductance transistors in the active mixer have a second order nonlinearity generating a low frequency  $IM_2$  product that leaks to the mixer output. If the mixer switching core, LO driver and mixer load is perfectly balanced, i.e. without mismatch the second order intermodulation will cancel at the differential mixer output [31]. Mismatch is however always present resulting in second order distortion at the mixer output.

### 3. Second order nonlinearity of the switching mixer core devices

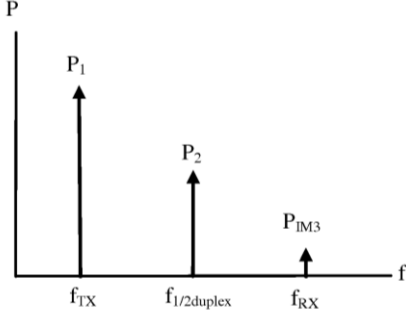
The switching mixer core devices have a second order nonlinearity. The  $IM_2$  product generated from the core devices is common-mode, i.e. without simultaneous mismatch in the switching core devices, the LO driver or the mixer load, the second order intermodulation will cancel at the differential mixer output.

### 4. Cross modulation of the LO-leakage

The AM-modulation of the TX-leakage at the mixer core RF input will transfer to the LO-leakage at the mixer RF input through the cross modulation mechanism [20], [32]-[37]. Downconversion of the AM-modulated LO-leakage with the LO-signal itself will generate a differential mixer output signal at the  $IM_2$ -frequency.

## 2.11 Third order distortion in FDD systems

The worst third order intermodulation case is when an interferer is present at half the duplex distance between the RX and TX frequency [20] as depicted in Fig. 6. The third order nonlinearity of the LNA and mixer will then create an intermodulation product at the RX frequency.



**Fig. 6. Third order intermodulation from TX-leakage and half duplex interferer**

With a TX-leakage into the LNA of power  $P_1$ , a half duplex interferer of power  $P_2$  and a third order input intercept point  $IIP_3$ , the third order intermodulation product at the LNA input,  $P_{i\_IM3}$ , is given by (20)

$$P_{i\_IM3}(dBm) = 2P_2(dBm) + P_1(dBm) - 2IIP_3(dBm) \quad (14)$$

The in-band  $IIP_3$  requirement is determined by the adjacent channel selectivity (ACS) test case [3] with two blocking signal signals at 3.5 MHz and 5.9 MHz from  $f_{LO}$ . The out-of band  $IIP_3$  requirement depicted in Fig. 8 however still determines the linearity.

## 2.12 Cross modulation in FDD systems

### 2.12.1 Cross modulation from TX-leakage

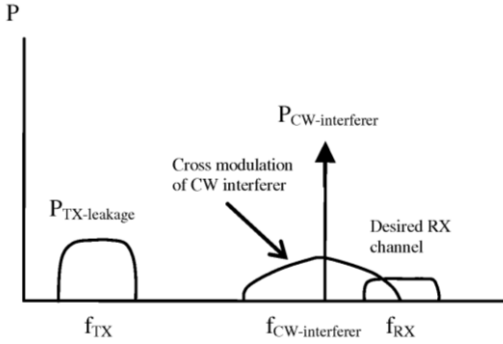
Cross modulation [20], [30]-[35] is defined as the transfer of the AM-modulation of an interferer on to a simultaneously present not modulated signal. The modulation transfer is governed by the third order nonlinearity of the system. However, in relation to the power of the modulated interferer the cross modulation power is seen as a second order effect. If the input signal to the receiver,  $x(t)$ , is the sum of an un-modulated interferer,  $x_1(t)$ , and the AM-modulated TX-leakage,  $x_2(t)$ , the summed input signal leakage,  $x(t)$ , is given by (14).

$$x(t) = A_1 \cos(\omega_1 t) + A_2 [1 + m(t)] \cos(\omega_{TX} t) \quad (15)$$

In (14)  $m(t)$  is the amplitude modulation of the TX-leakage. Inserting (15) into (5) and expanding the third order nonlinearity will give an output intermodulation product [20] defined by (16).

$$y_{crossmod}(t) = \frac{3}{2} a_3 A_1 A_2^2 (1 + m(t))^2 \cos(\omega_1 t) \quad (16)$$

The interferer at frequency  $\omega_1$  is now amplitude modulated by the square of the amplitude of the TX-leakage as depicted in Fig. 7.



**Fig. 7. Cross modulation of a CW interferer by AM-modulated TX leakage**

As depicted in Fig. 6 each sideband of the cross modulated signal is at a distance from the carrier equal to the bandwidth of the AM modulated interferer [31], [35]. If a continuous wave (CW) blocker is close to the desired channel cross modulation from an AM-modulated interferer will create interference inside the bandwidth of the desired channel. In FDD systems, e.g. WCDMA and LTE FDD the strongest AM-modulated interferer is the own TX-signal.

The output cross modulation product (15) is referred to the input by dividing with the gain  $a_1$  of (1). Given the gain  $a_1$  and the third order nonlinearity coefficient  $a_3$ , the third order intercept point,  $IP_3$ , is defined as (17).

$$IP_3 = \sqrt{\frac{4a_1}{3a_3}} \quad (17)$$

The input cross modulation product,  $x_{crossmod}(t)$ , is defined in (18).

$$x_{crossmod}(t) = \frac{y_{crossmod}(t)}{a_1} = \frac{A_1 2A_2^2 ((1 + m(t))^2)}{IP_3^2} \cos(\omega_1 t) \quad (18)$$

Converting (17) to log-scale defines  $P_{i\_crossmod}$  in power units at the input [31] in (19). The cross modulation product is linear proportional to the interferer power and to the square of the TX-leakage.

$$P_{i\_crossmod} = 6 + P_1(dBm) + 2(P_2(dBm) - IP_3(dBm)) \quad (19)$$

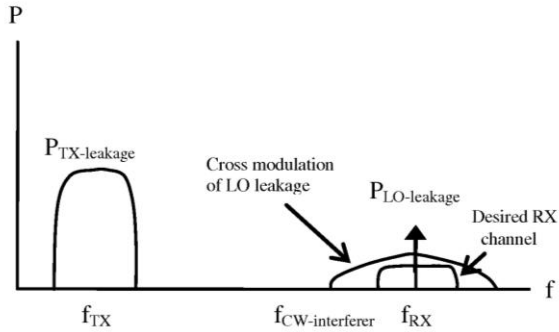
Cross modulation is a second order effect that is inversely proportional to the square of the third order intercept point. As depicted in Fig. 6 the amount of interference that overlaps the desired channel will depend upon the distance between the non-modulated interferer as well of the modulation bandwidth of the TX-signal. The interferer power that overlaps the desired channel will be downconverted together with the desired channel. As with second order distortion the cross modulation is proportional to the square of the interferer power. There is however an important difference. Distortion generated by second order nonlinearities is common-mode, i.e. device mismatch is required to generate a differential intermodulation product. Distortion created by cross modulation is added to the desired RF channel before down conversion. It will therefore appear as a differential signal at the mixer output, in the same way as the desired channel. With digital modulation of the TX signal the expression (18) is modified to include a correction factor [20], [35]. The expression is therefore re-written as (120) with a correction factor including the 6dB in (19).

$$P_{i\_crossmod} = C_{factor} + P_1(dBm) + 2(P_2(dBm) - IP_3(dBm)) \quad (20)$$

The correction factor depends on the distance between the cross modulated interferer and the desired channel as well as the modulation of the TX-signal.

### 2.12.2 Cross modulation in FDD systems with zero-IF receivers

In a zero-IF receiver the local oscillator is set to the same frequency as the centre of the received RF channel. There is always a certain level of LO-leakage present at the LNA input acting as an interferer. The cross modulation effect will transfer the AM-modulation of the TX-leakage to the LO-leakage. The interferer scenario is now different compared the case with the external CW interferer depicted in Fig. 7 since a larger fraction of the cross modulation power will coincide with the desired RF channel. The cross modulation effect with the LO-leakage as the interferer is depicted in Fig. 8. Given that the bandwidths of the TX and RX signal are equal, a part of the cross modulated LO-leakage will be outside the RX channel since the bandwidth of the cross modulated signal is two times the TX signal. Second order distortion is created by the down conversion of the AM-modulated LO-leakage. In paper II a feedback loop around the mixer is described



**Fig. 8. Cross modulation of the LO leakage in a zero-IF receiver by AM-modulated TX-leakage**

The mixer is driven by a square wave signal, i.e. the LO signal as well as the leakage at the LNA input contains odd harmonics of  $f_{LO}$ . The LO leakage at the harmonics of  $f_{LO}$  will also be cross modulated. In the mixer the cross modulated harmonics will be down converted to baseband by the harmonics of the mixer clock. This effect increases the distortion generated by cross modulation. To reduce cross modulation either the duplexer isolation should be increased or the LO leakage should be decreased. Alternatively the  $IP_3$  of the system should be increased.

### ***2.13 Linearity requirements in E-GSM/GPRS/EDGE systems***

In the GSM system the  $IIP_2$  requirement is defined by an AM-modulated interferer 6MHz from the wanted carrier with a power of -31dBm [3]. The power of the wanted signal equals -99dBm in this test. The test sets a limit on the BER degradation with the interferer present. In a multimode receiver supporting both GSM and WCDMA this is however not the requirement that defines the minimum required  $IIP_2$ . This is instead defined by the second order distortion from the TX-leakage. The  $IIP_3$  requirement is defined in a test case with one CW interferer at 800 kHz offset from the wanted signal together with a modulated interferer at 1600 kHz from the wanted signal [3]. In a multimode terminal for both GSM and WCDMA the hardest requirement defining for third order linearity is defined by the half duplex interferer [20] in WCDMA.

# CHAPTER 3

## 3 Receiver architectures

### 3.1 Introduction

In the early days of cellular radio communication the super heterodyne receiver [4] was the dominating receiver architectures. Once the cellular terminal started to become a high volume product a lot of research efforts both in academia as well as in the telecommunications industry were targeted towards investigating other architectures that could have equal performance but with a lower current consumption and lower cost. As the size of terminals decreased the PCB area occupied by the radio also became an important parameter. The super heterodyne architecture requires an external image reject filter [4] plus a second down conversion mixer and is therefore not a cost effective solution. Nowadays the zero-IF receiver architecture [5] is found in almost every cellular terminal. Receiver architectures are typically compared with parameters as current consumption, sensitivity, image rejection [4], blocker tolerance [3] and the required number of external components.

### 3.2 Image rejection

Image rejection [4] is a key parameter when evaluating receiver architectures. If the local oscillator frequency,  $f_{LO}$  is located at a distance  $f_{IF}$  lower than the RF carrier,  $f_{RF}$  an interferer at  $f_{IMAGE} = f_{LO} - f_{IF}$  will be down converted to the same frequency as the wanted signal. In a cellular network this interferer scenario can be troublesome especially since the wanted signal can be much smaller than the interferer at the image frequency. The receiver sensitivity will then be strongly degraded. Image rejection is an issue in all receivers that utilize an IF frequency, e.g. super heterodyne and low-IF receivers [4].

### 3.3 The direct conversion receiver

#### 3.3.1 Direct conversion receiver architecture

Compared to a super heterodyne receiver the direct conversion receiver architecture [5] depicted in Fig 9 only has a single down converting mixer. If the local oscillator frequency is equal to the received frequency the architecture is a homodyne or zero-IF receiver.

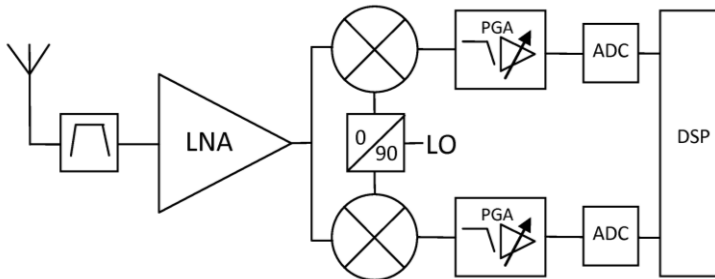


Fig. 9. Architecture of the zero-IF receiver

The direct conversion receiver completely dominates the receiver architectures of cellular chipsets today. The shift towards this architecture started in the late 1990s when the first homodyne receivers were commercialized. If the local oscillator frequency,  $f_{LO}$ , is shifted to the centre frequency of the carrier frequency,  $f_{RF}$ , the IF frequency,  $f_{IF}$ , will be zero. The centre of the carrier frequency is down converted to DC. The issue with an image frequency that can interfere with the wanted signal is eliminated [5]. This is one of the two great advantages with this receiver architecture. The second advantage is the simplicity of the baseband filter in a zero-IF receiver. It is realized with only a low-pass filter [5].

#### 3.3.2 Direct conversion receiver drawbacks

##### 3.3.2.1 LO-leakage at the LNA input

The LO-leakage at the LNA input is associated with three receiver performance issues that must be addressed: LO radiation at the antenna [5], DC offset at the mixer output [5] and cross modulation of the LO-leakage with the TX-leakage [20], [32]-[37]. Since the mixer clock frequency  $f_{LO}$  is at the same frequency as the received channel the LO-leakage at the LNA input will mix with itself in the receiver mixer [5]. There are requirements [3] restricting the power of the mixer clock frequency and its harmonics at the antenna since this leakage will be radiated out of the cellular terminal and becomes an interferer for other terminals [5]. The LO-leakage at the antenna will be down converted to DC at the mixer output that can compress the performance of the baseband filter and ADC.



In zero-IF receivers the DC offset at the mixer output has been reduced by running the receiver voltage controlled oscillator (VCO) at a frequency  $f_{VCO}$  that is an even multiple of the mixer clock frequency  $f_{LO}$ . If the clock signal to the mixer is a square wave the Fourier transform of this signal only contains odd harmonics of  $f_{LO}$ . Leakage at  $f_{VCO}$  or at harmonics of  $f_{VCO}$  at the LNA input does not result in any DC offset since the mixer clock signal does not contain any harmonics of  $f_{VCO}$ . In paper I the LO-leakage due to mismatch in the switching stage of the active mixer is attenuated with a feedback loop around the mixer core.

### 3.3.2.2 DC-offset at the mixer output

One easy way to eliminate the problem with DC-offset would be to AC-couple the output signal from the mixer [2]. However this is not a feasible architecture since modulation schemes used for high speed communication, e.g. 64QAM [16] contain information at low frequencies close to DC. Considering the impedance in the interface between the mixer and the baseband filter the size of the AC-coupling capacitor, required not to cause increased BER, is not feasible to integrate on-chip. The preferred way to reduce the DC-offset is instead to use offset cancellation techniques [5]. With these techniques the DC-offset is measured and averaged over time and then subtracted from the output signal. DC-offsets as well as cut-off frequencies in the baseband filter are reduced by using calibration techniques. In paper I the mixer DC-offset is attenuated using a feedback loop around the mixer core.

### 3.3.2.1 Sensitivity to second order distortion

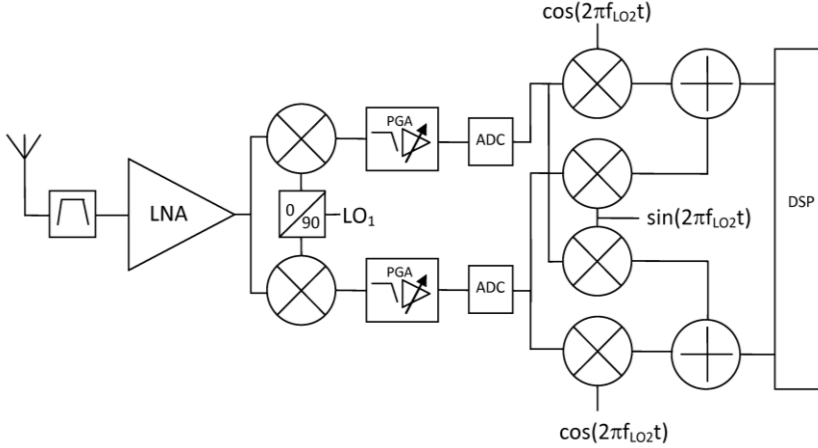
Second order nonlinearities in the zero-IF receiver cause performance degradation in TDD as well as in FDD systems. In E-GSM the receiver must handle an AM-modulated interferer at 6MHz offset from  $f_{LO}$ . In FDD systems the AM-modulation of the TX-leakage generates second order distortion from self mixing [5], second order nonlinearities in the transconductance stage [31], second order nonlinearity in the switching core devices and cross modulation of the LO-leakage [20], [32]-[37].

### 3.3.2.2 Sensitivity to mixer 1/f noise

Since the RF signal is down converted to DC the zero-IF receiver is sensitive to 1/f noise [5]. The 1/f noise in active mixers with a bipolar switching core is much lower compared to the 1/f noise in active mixers in CMOS technology. In CMOS technology the passive mixer architecture is therefore dominating. The mixer in paper I is designed with a bipolar switching core.

### 3.4 The low-IF receiver

In the low-IF architecture [38], [39] the LO frequency is offset from the RF carrier frequency in the range of the channel bandwidth [38]. The down conversion to baseband frequencies can take place in a complex mixer in the digital domain [38] providing image rejection. A typical low IF receiver architecture is depicted in Fig. 10.



**Fig. 10. Architecture of the low-IF receiver**

Since both the wanted signal and the image frequency are present in the input signal to the ADC the requirements for the ADC in a low-IF receiver are higher compared to a homodyne receiver. This increases the power consumption of the ADC. The image power could be significantly higher compared to the wanted signal. One advantage with this architecture is that the ADC is AC coupled to the preceding analog part of the receiver. This eliminates the need of DC-offset compensation. The low-IF receiver is less sensitive to  $1/f$  noise originating from the mixer since the carrier frequency is not down converted to DC as in the zero-IF receiver. Especially in active CMOS mixers noise figure degradation due to  $1/f$  noise is troublesome. Passive CMOS mixers ideally do not suffer from excess  $1/f$  noise since there is no DC biasing current [40]. Compared with the zero-IF receiver, the signal processing of the IF-signal that is required after the mixer is more demanding in a low-IF receiver. In the low-IF receiver image rejection [38], [39] must be implemented either in the analog or the digital domain. In either way the image rejection is highly sensitive to mismatch. [38], [39].

Instead of implementing a complex mixer for image suppression in the digital domain a complex band pass filter could be designed in the analog domain [38].

### ***3.5 Receiver architecture summary***

The zero-IF receiver architecture is the preferred choice for cellular terminal receivers even if there are drawbacks with this solution. However, compared to the calibration required to achieve sufficient image rejection in a low-IF receiver these drawbacks are easier to circumvent by high performance design of e. g. LNAs and mixers.

# CHAPTER 4

## 4 Process technology and device performance

### 4.1 Introduction

The digital part of the integrated transceivers is increased for each new circuit generation. It is common today even to include a microprocessor used in automatic calibration of the circuit. In these system on chip architectures digital signals, e.g. harmonics of the digital clock frequency can leak to the LNA input through the supply lines, electromagnetic coupling or through the substrate [41]-[49]. On-chip isolation governed by package and process technology is therefore becoming increasingly important. An increased digital part also means that more digital devices are switching simultaneously thereby creating more interference [44], [49]. Digital and analog functions that used to be on different dies are now merged together. The effectiveness of e.g. triple-well devices [49] is reduced for higher RF frequencies in new operating bands. For high frequency bands the package impedance is also higher.

### 4.2 Process technology

CMOS is the silicon mass production technology of today [14]. This applies to both cellular transceiver circuits as well as digital circuits. As a result of the high CMOS volumes the production cost is reduced. For cellular RF circuits in the mid 2000s BiCMOS technology was still competitive. The last technology step in BiCMOS was the performance enhancement by introduction of the SiGe bipolar devices [50]. There are several differences between bipolar and CMOS devices that affect the architecture and design tradeoffs for a transceiver circuit [50]. One difference is that the bipolar devices have a higher transconductance-to-current ratio compared to the MOS device. The  $g_m/I_C$  ratio for a bipolar device equals  $I/V_T$ . For a MOS device the  $g_m/I_D$  ratio for a long channel device equals  $2/(V_{GS}-V_T)$  and  $I/(V_{GS}-V_T)$  for a short channel device [50]. Compared to a bipolar device the  $g_m/I_D$  of the MOS device decreases when the device bias current increases. Despite this drawback the  $f_T$  of CMOS processes is today very high due to device scaling. The supply voltage is reduced as the gate oxide thickness reduces. This is a difference compared to bipolar devices that offer high  $f_T$  with high supply

voltage [14]. High voltage devices are an advantage in e.g. power amplifier design [14]. A second difference comparing bipolar and CMOS technology is the much higher level of  $1/f$  noise in CMOS. The  $1/f$  noise originates from traps in the interface between the gate oxide and the silicon that randomly release charges [52]. The passive mixer [52] is the preferred architecture in CMOS technology compared to BiCMOS technology where an active mixer with bipolar switching commonly used. This architecture is used in the mixer presented in paper I. Using CMOS devices in the switching core increases the  $1/f$  noise.

When the device size is reduced the matching properties is deteriorated. This is an issue for e.g. differential architectures making it difficult to use the minimum size devices. For low frequency design device up-scaling is an effective way to counteract mismatch. This technique is used in the mixer DC feedback loop in paper I.

The performance of the analog RF part is strongly dependent on the passive components, i.e. the inductors and capacitors. The Q-value of an on-chip inductor [41], [48], [51] is one of the key metrics for comparing semiconductor processes. The noise figure of the LNA with integrated matching presented in paper II is strongly dependent on the Q-value of the integrated matching inductor.

### ***4.3 Package technology***

The package technology evolution has resulted in that the wire-bonded package type is no longer used for integrated transceivers for cellular terminals. The inductance of the bond wires was in the range of a few nanohenries. Coupling between nearby wires as well as supply line noise coupling was an issue in RF design. The state-of-the art packages today instead use flipped dies mounted on ball-grid arrays (BGAs) [53]. The total inductance of a connection pin is then about 200pH, including routing inductance in the flip-chip redistribution layer. The redistribution layer is the routing interface between the BGA and the pads of the die. Compared to the coupling between bond wires the coupling between the balls of the BGA package is negligible since the ball inductance is less than 50pH. There is however still a significant coupling between wires in the chip redistribution layer. For a ground connection a low inductance is obtained using parallel connection of multiple grounds. Passive components as decoupling capacitors and matching components for LNAs can be placed inside the package reducing the number of components on the PCB. This is used in the design presented in paper I requiring two off-chip capacitors. A low package inductance is desirable since the supply and ground will become more ideal, thereby relaxing the requirement on power supply rejection ratio (PSRR). Low impedance paths to ground are important for isolation, e.g. for the effectiveness of shunting an undesired signal to ground. This is used in the multiband LNA in paper II for increasing the isolation between different RF inputs. To reduce the coupling careful planning and routing is required regarding placement of signals in the die pad ring and BGA package. Supply connections with low package impedances

make it possible to use architectures that would otherwise have been hard to implement, e.g. the multiband single ended LNA presented in paper II.

#### ***4.4 Substrate coupling***

Compared to differential architectures single ended architectures are more sensitive to substrate noise and interference and require more careful substrate interference robust [45] design. Substrate noise is caused by different sources [41] - [43]. These sources can be divided into internal sources and external sources referring to how the noise couples to the substrate [42]. The internal noise is generated when e.g. digital gates are switched [44] and the noise is coupled through the parasitic capacitances of the active devices, wells and interconnects. The external noise is created when the noise path from the digital to analog part of the die goes through the power domain network. The switching gates introduce noise on the supply lines. This noise is then coupled back to the sensitive analog part through substrate contacts in the analog domain connected to supply and ground [41], [42]. Depending on the package inductances and decoupling capacitors of the power distribution network the external noise can be dominating. Low package inductance is therefore important to reduce the external coupling. [41]. The internal noise becomes more important when the packages inductances are very small. Three mechanisms govern substrate interference: injection, propagation and reception [42]. Noise can be injected into the substrate in three ways [42]

##### *1. Substrate coupling through capacitances [41], [42], [47]*

The source and drain of each MOS devices is coupled to the substrate through a depletion capacitance. Depletion capacitance coupling is also an issue in bipolar process technology [46]. Interconnect lines also have a capacitance to the substrate [48]. If the interconnect carries a rail to rail digital signal and the length of the wire is long the injected substrate noise can be substantial. Bond pads have a significant capacitance to ground as well. If e.g. a digital I/O signal is connected to the pad noise can be injected into the substrate.

##### *2. Injection through substrate contacts [41], [42]*

NMOS and PMOS devices have either p+ or n+ diffusions close to the devices to set the potential of the bulk to either  $VCC$  or  $GND$ . The source and bulk terminal are usually connected together. The supply and ground on the die are connected to ideal ground through the series inductance and resistance of the package resulting in supply and ground bounce when e.g. a digital transition occurs in the circuit. Noise is thereby injected into the substrate through the substrate contacts connected to the noisy supply and ground.

##### *3. Impact ionization currents [41], [42]*

Electron-hole pairs are generated by high electric field in the drain. The holes will diffuse down to the substrate.

Noise propagation in the substrate depends on the substrate type. Three types of substrates are used in CMOS processes [43]

### 1. *Epitaxial substrates*

The wafer consists of a high-resistivity thin layer on top of a low resistivity bulk. The majority of the substrate noise propagates in the highly doped bulk. Due to the low resistivity the bulk can be regarded as one node. The purpose of this type of substrate is to prevent latch-up.

### 2. *Non-epitaxial substrates*

The wafer consists of only high resistivity bulk. The substrate current is more uniformly distributed. Increasing the distance between an interfering block and a noise sensitive block helps to improve the isolation with this type of substrate.

### 3. *Silicon-on-insulator (SOI) substrates*

The devices are fabricated in silicon islands isolated from the substrate by a buried oxide layer. These processes have a much higher isolation compared to the two other types.

The same effects that cause noise injection also govern noise reception. Substrate injection and reception can be reduced using triple-well devices. The benefit is however strongly dependent on the operating frequency as well as the package impedance of the well connection [49]. Substrate propagation can be reduced using guard rings. Guard rings are more efficient in a lightly doped process [42]. The substrate noise is attenuated by sinking the noise current to a low impedance ground. The effect of the ring is dependent on the inductance of the supply connection [49]. Other substrate propagation reduction techniques are trenches, N-wells to break the channel stop and deep N-wells below the interfering block [42]. Reduction of noise reception can be achieved by using differential structures [42] since substrate noise can be regarded as common mode noise. On-chip decoupling is efficient to prevent noise from reaching the supply lines [41].

## **4.5 Basic equations for the MOS and bipolar transistors**

### **4.5.1 Introduction**

The design presented in paper I is single ended LNA and active mixer in BiCMOS technology. The LNA presented in paper II is designed in CMOS technology. The fundamental transistor equations for both CMOS and bipolar devices are provided in section 4.5.2 and 4.5.3 respectively.

### **4.5.2 MOS transistor equations**

In the saturation region (21) applies for the relation between the drain current  $I_D$ , the threshold voltage  $V_t$ , the gate-source voltage  $V_{GS}$  and the drain-source voltage  $V_{DS}$  [54], [55].

$$I_D = \frac{k'}{2} \frac{W}{L} (V_{GS} - V_t)^2 (1 + \lambda V_{DS}) \quad (21)$$

The parameter  $k'$  defined in (22) is the product of the electron mobility  $\mu_n$  and the gate oxide capacitance per unit area  $C_{ox}$ .

$$k' = \mu_n C_{ox} = \frac{\mu_n \epsilon_{ox}}{t_{ox}} \quad (22)$$

The parameters  $\epsilon_{ox}$  and  $t_{ox}$  are the permittivity and thickness of the gate oxide respectively [54], [55]. The parameter  $\lambda$  in (23) is defined by the output resistance and drain current of the NMOS [54], [55]. With shrinking device dimensions the output resistance is decreased which is not beneficial for analog design.

$$\lambda = \frac{1}{r_{out} I_D} \quad (23)$$

The small signal transconductance [54], [55] is defined in (24).

$$g_m = \frac{\partial I_D}{\partial V_{GS}} = k' \frac{W}{L} (V_{GS} - V_t)(1 + \lambda V_{DS}) \quad (24)$$

If  $\lambda V_{DS} \ll 1$  the transconductance is approximated by (25).

$$g_m = k' \frac{W}{L} (V_{GS} - V_t) = \sqrt{2k' \frac{W}{L} I_D} \quad (25)$$

The transconductance  $g_m$  is proportional to  $W/L$  times the overdrive voltage,  $V_{ov}$  [54], [55] defined in (26).

$$V_{ov} = V_{GS} - V_t \quad (26)$$

Decreasing the channel length and the thickness of the gate oxide increases the transconductance  $g_m$ . The MOS transistor cut-off frequency  $\omega_T$  [54], [55] given by (27) can be used to calculate the expected transconductance of e.g. an LNA.

$$\omega_T = \frac{g_m}{C_{gs}} \quad (27)$$

A thorough description of MOS device parameters is provided in [54], [55].

### 4.5.3 Bipolar transistor equations

For the bipolar transistor in the forward-active region (28) applies for the relation between the collector current  $I_C$ , the base-emitter voltage,  $V_{BE}$ , the saturation current,  $I_S$  and the collector-emitter voltage,  $V_{CE}$  [55].



$$I_C = I_S \left(1 + \frac{V_{CE}}{V_A}\right) \exp \frac{V_{BE}}{V_T} \quad (28)$$

The parameter  $V_A$  is the early voltage [55] defining the variation of  $I_C$  with  $V_{CE}$ . The threshold voltage is denoted  $V_T$ . The small signal transconductance,  $g_m$ , is given by (29).

$$g_m = \frac{\partial I_C}{\partial V_{BE}} = \frac{qI_C}{kT} \quad (29)$$

The output resistance [55],  $r_o$ , is defined in (30).

$$r_o = \frac{\partial V_{CE}}{\partial I_C} = \frac{V_A}{I_C} \quad (30)$$

The bipolar transistor cut-off frequency [55],  $\omega_T$ , is given by (31)

$$\omega_T = \frac{g_m}{C_\pi + C_\mu} \quad (31)$$

The emitter-base junction depletion capacitance is denoted  $C_\pi$  and  $C_\mu$  is the collector-base junction capacitance. A detailed description of bipolar device parameters is provided in [55].

## 5 LNA architectures

### 5.1 Introduction

The intention of the LNA is to relax the noise requirements of the mixer, baseband amplifier and the ADC. Selectivity, i.e. to attenuate undesired signals is a desired property. In multi mode terminals with integrated WLAN a WLAN transmit signal at 5.8GHz leaking into the cellular LNA will be down converted by third harmonic downconversion [56], thereby corresponding to an in-band interferer at 1933MHz. A narrow band LNA as described in paper II will attenuate this interferer. Wide band input matching LNAs, e.g. resistive feedback [57], [58] and common-gate [59]-[62] LNAs do not provide any selectivity but on the other hand ideally do not require any external matching components. In order for the receiver sensitivity to be maximized the LNA should preferably have a low noise figure as in combination with a high gain. In a FDD system the compression point of the receiver must be high enough in order to not compress on the own transmit signal. In a TDD system as E-GSM the compression point is determined by a blocking signal at 3MHz distance from the desired signal. The third order linearity should be high enough not to create intermodulation products. The second order nonlinearity is not important since AC-coupling of the LNA output to the mixer input attenuates low-frequency  $IM_2$  products. The current consumption of the LNA is determined by the compression point requirement. In paper II the current consumption is reduced when the terminal is close to the base station, i.e. the own TX signal is weak. In multi band LNA architectures as in Fig. 1 the isolation between the LNAs is important. The TX signal can leak through the rather poor isolation of the antenna switch to the input of an unused LNA for certain frequency bands where the TX frequency overlaps the RX frequency of the turned off LNA. If the LNA isolation is not adequate this leakage path could deteriorate the TX to RX isolation given by the duplexer. Programmable input RF switches with both high isolation and low series resistance are presented in paper II. The bandwidth of the input matching of the narrow band LNA must cover the targeted frequency band with a sufficient margin to handle the production spread.

## ***5.2 Single ended versus differential LNA architectures***

The differential LNA is the dominating architecture in cellular receivers. This topology offers advantages compared to its single-ended counterpart, e.g. built-in PSRR and rejection of common mode interferers in the ground and substrate. However, as the number of supported frequency bands increase as well as support for e.g. Wi-Fi, Bluetooth and GPS becomes mandatory, the differential LNA architecture becomes less attractive due to the additional RF input pin that increases the package size. The LNAs presented in paper I and II are both single ended. Routing of the RF input signal on the PCB then becomes less troublesome. Single ended LNAs suffer from other drawbacks though. Interferers in the supply ground and substrate are only suppressed in the differential LNA resulting in increased design requirements for the single ended architecture. Decoupling of the supply, both on the die and on the PCB, is important to reduce interference. Harmonics of the digital clock signal leaking to the LNA input require more careful design if a single ended LNA is used [70]. With the package technology available today, e.g. flip-chip and BGA [53], the ground impedance is much lower compared to wire-bonded packages. This is beneficial for single ended LNAs that are more sensitive to interferers and noise on the die ground.

## ***5.3 LNA architectures in CMOS technology***

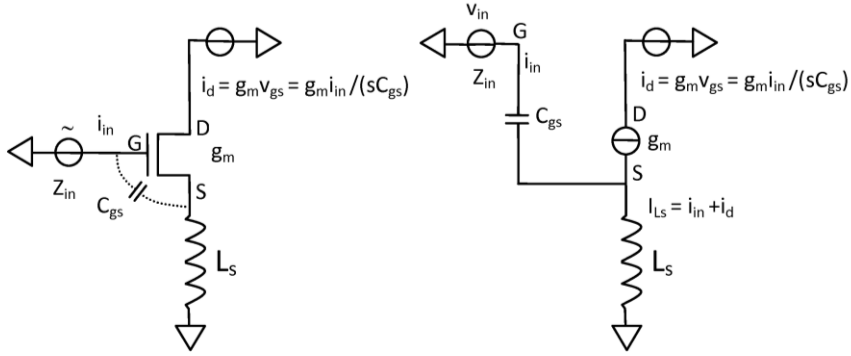
### **5.3.1 Common-source LNA with inductive degeneration**

#### **5.3.1.1 Introduction**

Compared to the common-gate (CG) architecture [59]-[62], [72], [73] the common-source (CS) LNA with inductive degeneration [70]-[73] is the architecture can give the lowest noise figure (NF) [72]. With an operating frequency  $\omega_0$  and a transit frequency  $\omega_T$  the NF of the CG LNA is constant with respect to  $\omega_0/\omega_T$  while the NF of the CS LNA is linear proportional to  $\omega_0/\omega_T$ . [72]. The LNA has narrow band input matching and is commonly matched with an external inductor in series with the gate. The Q-value of the external inductor has a large impact on the LNA noise figure. The multiband LNA presented in paper I has a CS architecture but has an on-chip inductor.

#### **5.3.1.2 Input matching**

The inductively source degenerated MOS LNA has the advantage that it creates a real part of the input impedance without adding a resistor [74]. In Fig. 11  $C_{gs}$  is the gate-source capacitance of the LNA input device with transconductance  $g_m$ .



**Fig. 11. Architecture of the CS LNA with inductive degeneration**

From the small signal model the current through the source inductor  $L_s$  is given in (32) by the sum of the source current and the input current at the gate  $i_{in}$ .

$$i_{L_s} = i_{in} + g_m(v_g - v_s) = i_{in} + g_m i_{in} \frac{1}{sC_{gs}} \quad (32)$$

The voltage  $v_{L_s}$  across the source inductor is then given by (33).

$$v_{L_s} = sL_s i_{L_s} = sL_s \left( i_{in} + g_m i_{in} \frac{1}{sC_{gs}} \right) = i_{in} \left( sL_s + g_m \frac{L_s}{C_{gs}} \right) \quad (33)$$

The input impedance  $Z_{in}$  [74] is defined by (34)

$$Z_{in} = \frac{v_{in}}{i_{in}} = \frac{v_{L_s} + v_{C_{gs}}}{i_{in}} = \frac{g_m}{C_{gs}} L_s + sL_s + \frac{1}{sC_{gs}} \quad (34)$$

A real impedance is created by generating a current proportional to  $1/s$  (the source current in the MOS device) and pushing it into an impedance proportional to  $s$  (the source inductor  $L_s$ ). Replacing  $s$  by  $j\omega$  gives  $Z_{in}(\omega)$  in (35).

$$Z_{in} = \frac{g_m}{C_{gs}} L_s + j(\omega L_s - \frac{1}{\omega C_{gs}}) \quad (35)$$

The source inductor  $L_s$  lowers the LNA gain through negative feedback thereby improving the linearity. The inductor also introduces a real part to the input impedance [74]. The real impedance is used to match the LNA to the  $50\Omega$  source impedance,  $R_s$ . The real part of the input impedance,  $R_{in}$ , is given in (36).

$$R_{in} = \text{Re}(Z_{in}) = \frac{g_m}{C_{gs}} L_s \quad (36)$$

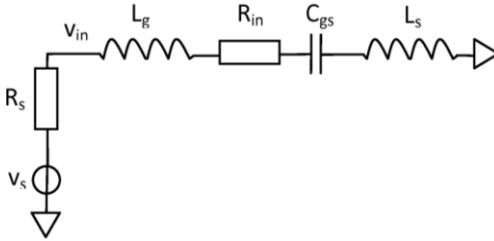
If  $L_s$  is chosen,  $g_m$  and  $C_{gs}$  can be calculated to give the required  $R_{in}$  ( $50\Omega$ ). In order to cancel the imaginary part of  $Z_{in}$  an inductor  $L_g$  is connected in series with the gate, The imaginary part of  $Z_{in}$  is the defined by (37).

$$\text{Im}(Z_{in}) = \omega(L_s + L_g) - \frac{1}{\omega C_{gs}} = 0 \quad (37)$$

In practice the expressions for the real and imaginary part of the input impedance derived in (36) and (37) are only valid for the CMOS LNA input device together with the source inductor standalone. In a real design there are capacitive parasitic from the pads and ESD-diodes and from the wiring from pad to gate of the LNA input device. There is also an inductive parasitic from the pad to the gate of the input device. The package adds both inductive and capacitive parasitics. When these parasitics are added to the design the expression for  $Z_{in}$  becomes more complex. Usually one more component besides the series inductor  $L_g$  is required to match the LNA to the source impedance. Accurate modeling of the parasitics both on the die and in the package using an electromagnetic simulator is necessary in order to determine the external matching components.

### 5.3.1.3 Input matching bandwidth

Reviewing (34), a series resonance circuit [17] is formed by the input source resistance  $R_s$ , the matching series inductor  $L_g$ , the real part of the LNA input impedance,  $R_{in}$ ,  $C_{gs}$  and  $L_s$  as depicted in Fig. 12. At resonance the voltage across  $C_{gs}$  will be  $Q_{in}$  times larger than the input voltage  $v_{in}$ .



**Fig. 12. Model for input matching Q-value calculation**

With the input voltage  $v_{in}$  defined after the source impedance  $R_s$  (38) applies at resonance.

$$\omega_0 = \frac{1}{\sqrt{C_{gs}(L_s + L_g)}} \quad (38)$$

The LNA input voltage  $v_{in}$  is defined by (39)

$$v_{in} = i_{in} R_{in} \quad (39)$$

The gate-source voltage  $v_{gs}$  is then given by (40).

$$v_{gs} = i_{in} \frac{1}{\omega_0 C_{gs}} = \sqrt{C_{gs}(L_s + L_g)} \frac{i_{in}}{C_{gs}} \quad (40)$$

The voltage ratio  $v_{gs}/v_{in}$  is equal to  $Q_{in}$  and is defined by (41).

$$\frac{v_{gs}}{v_{in}} = \sqrt{C_{gs}(L_s + L_g)} \frac{1}{C_{gs} R_{in}} = \sqrt{\frac{L_g + L_s}{C_{gs}}} \frac{1}{R_{in}} = Q_{in} \quad (41)$$

At the resonance frequency  $\omega_0$  the voltage across  $C_{gs}$  will therefore be  $Q_{in}$  times the input voltage  $v_{in}$ . The drain signal current of the input device is given by (42).

$$i_{d\_LNA} = g_m v_{gs} = g_m v_{in} Q_{in} \quad (42)$$

Including the source resistor  $R_s$  in the Q-value calculation relates the drain current to the source voltage  $v_s$ .

$$i_{d\_LNA} = g_m v_{gs} = g_m v_s Q_s \quad (43)$$

The overall transconductance from the source input to the drain output,  $G_{m\_tot\_LNA}$ , is given by (44).

$$G_{m\_tot\_LNA} = \frac{i_{d\_LNA}}{v_s} = g_m Q_s = g_m \frac{\sqrt{\frac{L_g + L_s}{C_{gs}}}}{R_s + \frac{g_m}{C_{gs}} L_s} \quad (44)$$

The overall transconductance  $G_{m\_tot\_LNA}$  is  $Q_s$  times larger than the MOS device  $g_m$  since the gate-source voltage is  $Q_s$  times larger than the input voltage  $v_s$ . If the width,  $W$ , of the input device decreases with constant bias current,  $g_m$  and  $C_{gs}$  decreases. To keep the resonance frequency  $\omega_0$  constant the inductance has to be increased by the same factor that  $C_{gs}$  was decreased by. With fixed drain current  $I_d$  and using (25) halving  $W$  and keeping  $L$  makes  $g_{m2} = 1/\sqrt{2} g_{m1}$  and  $c_{gs2} = c_{gs1}/2$ . The Q-value of the input matching with the width  $W_l$  is defined in (45) as  $Q_{s1}$ .

$$Q_{s1} = \sqrt{\frac{L_{g1} + L_{s1}}{C_{gs1}}} / \left( R_s + \frac{g_{m1} L_{s1}}{C_{gs1}} \right) \quad (45)$$

In order to keep the resonance frequency constant the sum of  $L_{g1}$  and  $L_{s1}$  is increased by a factor two. The real part of the LNA input impedance is equal to the source resistor  $R_s$ . The source inductor  $L_{s2}$  is equal to  $\sqrt{2}/2 \cdot L_{s1}$ . The Q-value for the design with halved width,  $W_2$ , is then given by (46)

$$Q_{s2} = \frac{\sqrt{\frac{L_{g2} + L_{s2}}{C_{gs2}}}}{R_s + \frac{g_{m2}L_{s2}}{C_{gs2}}} = \frac{\sqrt{\frac{2(L_{g1} + L_{s1})}{0.5C_{gs1}}}}{R_s + \frac{\frac{1}{\sqrt{2}}g_{m1}\frac{\sqrt{2}}{2}L_{s1}}{0.5C_{gs1}}} = 2Q_1 \quad (46)$$

The overall transconductance for width  $W_2$  is defined by (47).

$$G_{m\_tot\_LNA\_2} = g_{m2}Q_{s2} = \frac{1}{\sqrt{2}}g_{m1}2Q_{s1} = \sqrt{2}g_{m1}Q_{s1} = \sqrt{2}G_{m\_tot\_LNA\_1} \quad (47)$$

The overall transconductance is now larger compared with the transconductance width  $W_1 = 2W_2$ .

If the overall transconductance should be constant, halving the width  $W$  results in a halving of the drain current. Combination of (27) and (38) the expression (44) can be expressed as (48) [17]

$$G_{m\_tot\_LNA} = \frac{\omega_T}{\omega_0 R_s \left(1 + \frac{g_m L_s}{R_s C_{gs}}\right)} \quad (48)$$

If the real part of the input impedance is made equal to the source impedance the expression (48) is further simplified in (49) [17]

$$G_{m\_tot\_LNA} = \frac{\omega_T}{2\omega_0 R_s} \quad (49)$$

With known transit frequency  $\omega_T$ , resonance frequency  $\omega_0$  and source impedance  $R_s$  the transconductance of the LNA can be calculated.

In a real design it is of high importance for the bandwidth of the LNA to cover the dedicated frequency band with sufficient margin. Semiconductor process variations as well as changes in supply voltage and temperature will cause the input matching to drift. The Q-value of the input matching must therefore not be too high. The multiband LNA in paper II is scaled to cover the frequency bands with a margin. Capacitive parasitics to ground from the pad to the gate of the LNA input device will reduce the bandwidth of the matching. These parasitics should be minimized by not using a too wide input wire and route it using a high metal layer. The required input matching Q-value determines the gate-source capacitance,  $C_{gs}$ . By differentiating the total stored charge in the MOS channel,  $Q_T$ , to  $V_{GS}$ ,  $C_{gs}$  is given by (50) [17].

$$C_{gs} = \frac{\partial Q_T}{\partial V_{GS}} = \frac{2}{3} WLC_{ox} \quad (50)$$

The transconductance  $g_m$  is defined using (51) together with a desired value for  $G_{m\_tot\_LNA}$ , The expression for the real part of the input impedance (36) then gives the value of the source inductor  $L_s$ . The required drain current,  $I_D$ , is defined by (21). In practice however a matching network of two external components can be used. This is often necessary due to large capacitive parasitics for the input signal both on the die and in the package.

The LNA is can then no longer be matched with only one series inductor  $L_g$  and  $Re(Z_{in})$  in (36) does not have to be equal to the source impedance. This is can be used for noise optimization.

### 5.3.1.4 Noise model for the CS LNA with inductive degeneration

A noise model [55] for the CS-stage LNA with inductive degeneration inductor  $L_s$  and a series matching inductor  $L_g$  is depicted in Fig. 13.

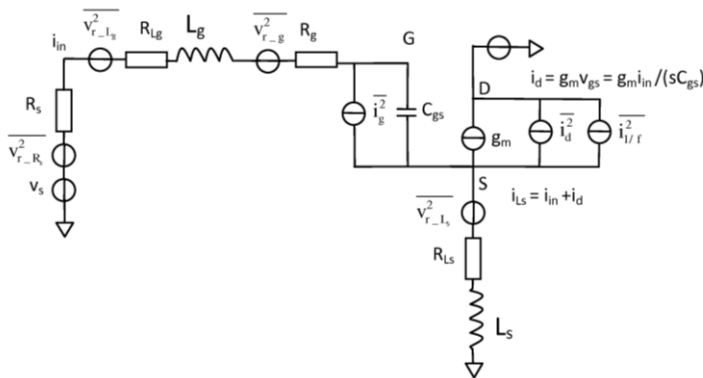


Fig. 13. Noise model for the CS LNA with inductive degeneration



The noise figure of the LNA will depend on the following noise sources [55].

*Gate resistance*

The gate wiring in polysilicon will add resistance in series with the gate [55]. This noise contribution can be minimized by increasing the number of fingers in the input device and contacting the gate at both ends. The gate resistance is represented by the  $\overline{v_{r-g}^2}$  noise voltage source.

*The series resistance of the matching inductor  $L_g$*

The matching inductor has a significant series resistance. The inductor resistance is represented by the  $\overline{v_{r-L_g}^2}$  noise voltage source. The LNA presented in paper II has a significant noise contribution from  $L_g$  since the Q-value of the on-chip inductor is limited.

*The series resistance of the source inductor  $L_s$*

The noise from the source inductor is represented by the  $\overline{v_{r-L_s}^2}$  noise voltage source.

*Channel noise*

The channel noise [55]  $\overline{i_d^2}$  in (51) is the dominant noise in CMOS technology at RF-frequencies. It is affected by device size ( $W/L$ ) and biasing.

$$\overline{i_d^2} = 4kT\gamma g_{d0}\Delta f \quad (51)$$

The parameter  $g_{d0}$  is the conductance with regard to  $V_{DS}$  with  $V_{DS}=0V$  [55]. The parameter  $\gamma$  equals 2/3 for a long channel device [55]. For a short channel device  $\gamma$  is larger. The channel noise is represented by the  $\overline{i_d^2}$  noise current source

*Induced gate noise*

Fluctuations in the channel charge will induce a physical current in the gate due to capacitive coupling. When the channel is inverted the following (52) applies for the induced gate noise [55]

$$\overline{i_g^2} = 4kT\delta g_g \Delta f \quad (52)$$

The parameter  $g_g$  is defined by (53) [55].

$$g_g = \frac{\omega_0^2 C_{gs}^2}{5g_{d0}} \quad (53)$$

The gate noise coefficient  $\delta$  equals 4/3 for a long\_channel device [55]. The parameter  $g_{d0}$  is the conductance with regard to  $V_{DS}$  with  $V_{DS}=0V$  [55]. With  $V_{DS}=0V$  the device is in the triode region, i.e. (54) applies for the drain current [55].

$$I_D = \frac{k' W}{2 L} \left( (V_{GS} - V_t) V_{DS} - \frac{V_{DS}^2}{2} \right) \quad (54)$$

The conductance  $g_{d0}$  is then given by (55) [55].

$$g_{d0} = \left. \frac{\partial I_D}{\partial V_{DS}} \right|_{V_{DS}=0} = \frac{k' W}{2 L} (V_{GS} - V_t) \quad (55)$$

The induced gate noise is partially correlated with the channel noise current  $i_d$  because it is generated by the channel noise current itself [55].

#### *Flicker noise (1/f-noise)*

The 1/f noise [52], [55] is caused by traps at the interface between the channel and the gate oxide. These traps randomly capture and release carriers. For the design of the LNA the corner frequency of the 1/f-noise is far below the operational frequency. If the LNA is connected to mixer by an AC-coupling capacitor or a balun, the 1/f noise of the LNA can be neglected. The 1/f noise contribution is defined in (56).

$$\overline{I_{1/f}^2} = K \frac{I_D^a}{f} \Delta f \quad (56)$$

The parameter  $K$  is a device constant and the parameter  $a$  is constant between 0.5 and 2 [55]. An advantage of the CS stage LNA is that the resistive input impedance is noiseless [75]. The noise factor of the CS architecture is given by (57).

$$F = 1 + \frac{\gamma}{\alpha} \frac{1}{Q} \left( \frac{\omega_0}{\omega_T} \right) \left[ 1 + \frac{\delta \alpha^2}{5\gamma} (1 + Q^2) + 2|c| \sqrt{\frac{\delta \alpha^2}{5\gamma}} \right] \quad (57)$$

In (58)  $c$ ,  $\alpha$ ,  $\gamma$  and  $\delta$  are bias dependent parameters [55], [75], [76]. An optimal  $Q$ -value for the input matching exists where the noise figure is minimized [70], [76]. A high  $Q$  reduces the contribution of channel noise while the gate noise is increased [76].

#### **5.3.1.5 CS stage LNA third order linearity**

Compared to the collector current of a bipolar device which has an exponential dependency of the input voltage [55], the MOS drain current ideally follows a square law dependency on the input voltage. Assuming that  $\lambda V_{DS} \ll 1$  in (21) the

relation between the drain current and the gate-source voltage  $V_{GS}$  is expressed in as (58).

$$I_{DC} = \frac{k'}{2} \frac{W}{L} (V_{GS} - V_t)^2 \quad (58)$$

The large signal drain current  $I_D(t)$  as a function of bias voltage  $V_{GS}$  and a small signal voltage  $v_{gs}$  is given by (59).

$$I_D(t) = I_{DC} + I_d(t) = I_{DC} + k' \frac{W}{L} (V_{GS} - V_t) v_{gs}(t) + \frac{k'}{2} \frac{W}{L} v_{gs}^2(t) \quad (59)$$

From (60) it follows that there is no third order term present. However, adding the second order effect of mobility degradation [55] changes the relation between  $I_D$  and  $V_{GS}$  as defined in (60)

$$I_{DC} = \frac{k'}{2} \frac{W}{L} \frac{(V_{GS} - V_t)^2}{1 + \theta(V_{GS} - V_t)} \quad (60)$$

The variable  $\theta$  is a process technology dependent parameter [55]. After a Taylor expansion of the expression in (60) for  $I_D(t)$  versus  $V_{GS}$  and  $v_{gs}$ , the third order intercept point  $IP_3$  is given by (61) [55].

$$v_{gs\_IP3} = \sqrt{\frac{8(V_{GS} - V_t)}{3\theta}} \quad (61)$$

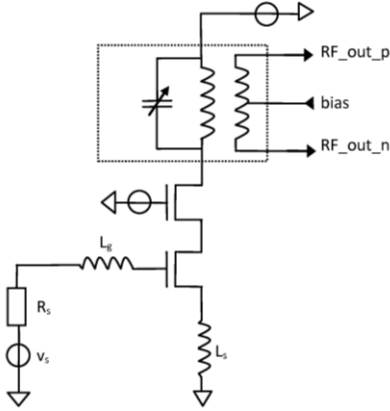
The intercept point is referred to  $v_{gs}$  of the MOS device. To refer it back to the input the relation between  $v_{gs}$  and the Q-value of the matching net is utilized in (62).

$$v_{in\_IP3} = \sqrt{\frac{8(V_{GS} - V_t)}{3\theta}} \frac{1}{Q_{in}} \quad (62)$$

To design an LNA with high  $IP_3$  the Q-value of the input matching net should be low and the gate overdrive voltage  $V_{GS} - V_t$  should be high.

### 5.3.2 CS-stage LNA with integrated balun

A differential mixer is commonly used in order to suppress second order distortion [4]. In combination with a single ended LNA, single ended to differential conversion is required. For this conversion an on-chip balun can be used. The advantage of the balun is that it also provides voltage gain. This architecture is used in paper II and is depicted in Fig.14. A tuning capacitor is connected at the balun primary side to alter the balun resonance frequency.



**Fig. 14. CS LNA with inductive degeneration and integrated balun**

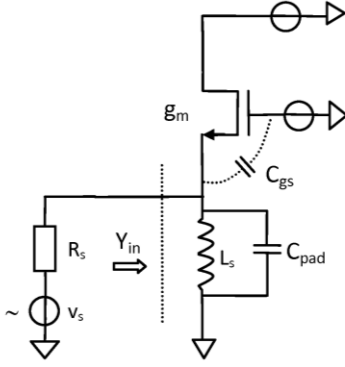
The voltage gain from the input port to the differential balun output,  $G_v$ , is defined in (63).

$$G_v = G_{m\_tot\_LNA} \cdot |Z_{in\_balun}| \cdot G_{v\_balun} \quad (63)$$

$G_{m\_tot\_LNA}$  is the overall transconductance from the input port to the output of the cascode.  $G_{v\_balun}$  is the voltage gain of the balun.  $Z_{in\_balun}$  is the impedance seen looking into the balun and tuning capacitor from the LNA cascode output. For a certain required voltage gain the balun is useful for reducing the current consumption of the LNA. From (63) it follows that  $G_{m\_tot}$  can be reduced if either  $Z_{in\_balun}$  or  $G_{v\_balun}$  are increased.

### 5.3.3 The common-gate architecture LNA

At operating frequencies that are low in comparison with  $\omega_T$  of the MOS input device the noise figure of the common-gate LNA is higher compared to the common-source architecture [60]. Compared to the CS architecture, the CG LNA offers higher linearity and wider input matching [60], [72]. For higher frequencies the noise figure of the LNA is lower for the CG LNA compared to the CS topology since compared to the CS architecture the noise figure of the CG LNA is independent of the operating frequency [60], [72], [73]. A common CG LNA topology is depicted in Fig. 15 including the parasitic gate-source capacitance of the input MOS together with the input pad capacitance  $C_{pad}$ . All parasitic capacitance, i.e. from package, pad and routing are included in  $C_{pad}$ .



**Fig. 15. Architecture of the CG LNA including parasitics**

A parallel resonant network is used to match the input impedance of the transistor ( $1/g_m$ ) to the source impedance ( $50\Omega$ ) [60].

$$Y_{in} \approx g_m + s(C_{pad} + C_{gs}) + \frac{1}{sL_s} \quad (64)$$

If the operational frequency of the LNA is low, i.e.  $\omega \ll \omega_T$ , this is not necessary and the input impedance of the LNA is simple given by the inverse of the transconductance. With  $g_m R_s = 1$  the noise factor  $F$  is defined by (65) [60].

$$F = 1 + \frac{\gamma}{\alpha} \quad (65)$$

The parameters  $\gamma$  and  $\alpha$  are empirical process- and bias-dependent parameters [60], [73].

### 5.3.3.1 Common-gate LNA $g_m$ -boosting

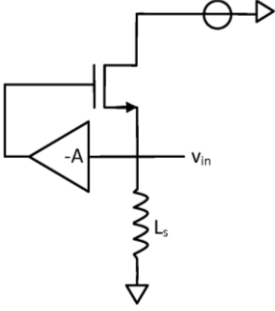
One way of improving the noise figure of the CG LNA is to use the  $g_m$ -boosting technique [60], [73] depicted in Fig. 16. In a CG LNA the input matching requirement (66) limits the achievable noise figure to (65).

$$G_{m,eff} = g_{mi} = 1/R_s \quad (66)$$

If the effective transconductance of the stage looking into the source terminal is denoted  $G_{m,eff}$  and the  $g_{mi}$  represents the small signal transconductance of the MOS device, the noise factor can be expressed in detail as (67) [60].

$$F = 1 + \frac{\gamma}{\alpha} \frac{g_{mi}}{1} \left( \frac{1}{G_{m,eff} R_s} \right)^2 \quad (67)$$

The effective transconductance is increased by inserting an inverting amplifier between the source and gate terminal [60] as depicted in Fig. 16.



**Fig. 16. Common-gate LNA with  $g_m$ -boosting feedback**

The effective transconductance [60] is now defined by (68).

$$G_{m,eff} = (1 + A)g_{mi} \quad (68)$$

The increased transconductance,  $G_{m,eff}$ , of the CG LNA improves both the noise factor as well as the power consumption of the common-gate architecture [60]. With the  $g_m$ -boosting by the feedback with gain  $A$ , the noise factor of the CG LNA [60] is given by (69).

$$F_{g_m\text{-boost}} = 1 + \frac{\gamma}{\alpha} \frac{g_{mi}}{R_s} \left( \frac{1}{(1 + A)g_{mi}R_s} \right)^2 = 1 + \frac{\gamma}{\alpha} \frac{1}{(1 + A)} \quad (69)$$

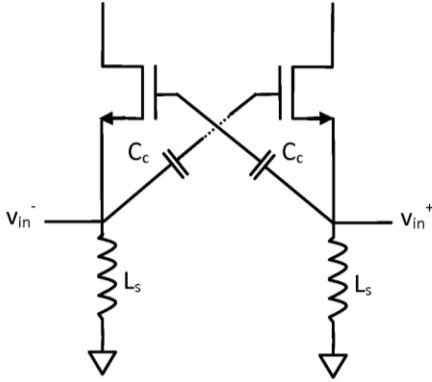
In (69) the condition for the input matching defined by (70) has been used.

$$1/R_s = G_{m,eff} = (1 + A)g_{mi} \quad (70)$$

From (69) the contribution to the noise factor from  $\gamma/\alpha$  is reduced by a factor  $(1+A)$  with the  $g_m$ -boosting technique. Using (70) gives  $g_{mi} = 1/(1 + A)R_s$ . With a reduced intrinsic transconductance  $g_{mi}$ , the current consumption is thereby also reduced. The expression (69) is valid only if the amplifying stage does not add any noise itself [60].

### 5.3.3.2 Capacitive cross coupling $g_m$ -boosting

One way to realize the  $g_m$ -boosting amplifier in Fig. 16 is depicted in Fig. 17 outlining a differential common-gate LNA with capacitive cross-coupling. [60], [61], [73]. A passive implementation is advantageous since the amplifier should add as little noise as possible.



**Fig. 17. Differential CG LNA with capacitive cross coupling**

The gain,  $A$ , of the inverting amplifier is now given by a capacitive voltage division of the input signal with cross capacitor value denoted  $C_c$  [60], [61] as defined in (71)

$$A = \frac{C_c}{C_c + C_{gs}} \quad (71)$$

If  $C_c \gg C_{gs}$  the gain of the inverting amplifier equals approximately 1 and the noise factor of the capacitor cross-coupled LNA is given by (72) [60], [61]

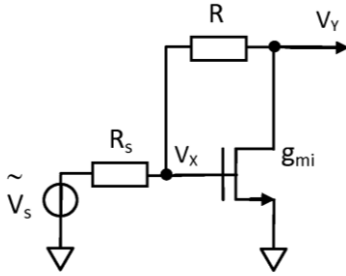
$$F = 1 + \frac{\gamma}{2\alpha} \quad (72)$$

Using capacitive cross coupling the noise factor is reduced, the effective transconductance is increased and the current consumption is decreased.

### 5.3.4 The resistive feedback CMOS LNA

The resistive feedback CMOS LNA depicted in Fig. 18 has a wide-band input impedance [17], [57] defined by (73)

$$Z_{in} = 1/g_{mi} \quad (73)$$



**Fig. 18. CS LNA with resistive feedback**

A wideband input matching is desired in certain application such as ultra wide-band receivers. In cellular multi-band receivers a duplexer (in FDD systems) or a SAW-filter (in TDD systems) precedes each RF input. A wideband LNA could replace several narrow-band LNAs but due to the necessity of the band specific external filters the switches are required to connect the wide-band LNA to the desired filter.

Compared to the CS LNA the resistive feedback LNA does not require any matching components. The voltage gain of resistive feedback LNA [17], [57] is given by (74).

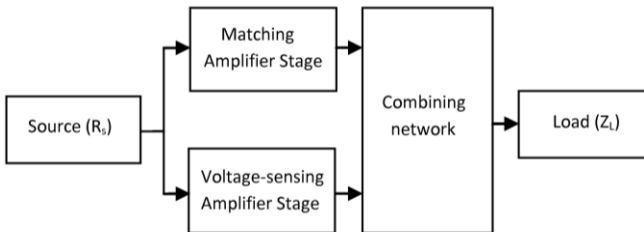
$$A_v = V_Y / V_X = 1 - g_{mi} R \quad (74)$$

If the input is matched to the source resistance  $R_s$  the noise figure is typically higher than 3dB [57] which is not low enough for cellular applications. If noise cancellation [57] is applied to this topology the performance can be significantly improved.

## 5.4 Noise cancellation

### 5.4.1 Introduction

The principle of noise cancellation [57], [76], [77] is depicted in Fig.19 [57]. It can be applied to other architectures than the resistive feedback LNA as well.



**Fig. 19. Block description of noise cancellation**



Input matching to the source impedance  $R_s$  is provided through the block “Matching Amplifier Stage”. The noise and wanted signal at the source is also measured and amplified by the block “Voltage-sensing Amplifier Stage”. The wanted signal and noise from these two stages are the combined in order to cancel the noise from the matching device and add the two desired signals.

### 5.4.2 Noise cancelation with resistive feedback LNA

The noise canceling concept applied to a resistive feedback LNA is depicted in Fig. 20 [57] outlining the matching amplifier stage, the voltage-sensing amplifier with gain  $-A_v$ , and the combining network in Fig. 19 realized as an adder. The input matching device creates a noise current  $I_{n,i}$ . A noise current  $\alpha (R_s, g_{mi}) I_{n,i}$  will flow as depicted through the feedback resistor  $R$  and the source resistor  $R_s$ . The parameter  $\alpha$  depends on the relation between  $g_{mi}$  and  $R_s$  [57]. The noise voltage at node  $X$  and  $Y$  will have the same phase [57]. The wanted signal at the same node will have the opposite phase as the input device inverts the phase [57]. The phase relation between the wanted signal and the noise voltage at the two nodes  $X$  and  $Y$  is the base of the noise cancelation technique. The noise and signal at node  $X$  is amplified by the amplifier with gain  $-A_v$ . For a certain voltage gain of the amplifier the noise from the input device will cancel at the output node  $V_{out}$ . The wanted signal will be twice as high at the output compared to the signal level at node  $Y$ .

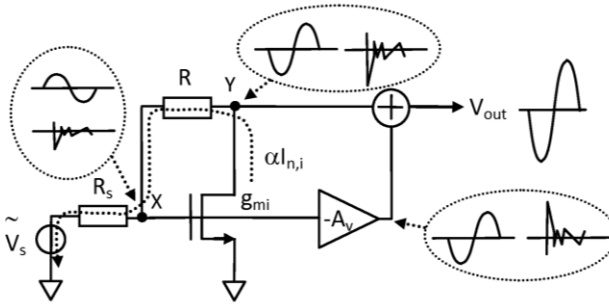


Fig. 20. CS LNA with resistive feedback and noise cancelation

The noise current  $\alpha (R_s, g_{mi}) I_{n,i}$  flowing through  $R$  and  $R_s$  will create noise voltages at nodes  $X$  and  $Y$  [57] defined by (75) and (76)

$$V_{X,n,i} = \alpha \cdot I_{n,i} \cdot R_s \quad (75)$$

$$V_{Y,n,i} = \alpha \cdot I_{n,i} \cdot (R_s + R) \quad (76)$$

At the output after the adder the output noise voltage is then given by (77)

$$V_{out,n,i} = V_{Y,n,i} - V_{X,n,i} \cdot A_v = \alpha \cdot I_{n,i} (R + R_s - A_v R_s) \quad (77)$$

Solving (77) for  $V_{out,n,i} = 0$  then gives the amplifier gain for cancellation,  $A_{v,c}$  given by (78)

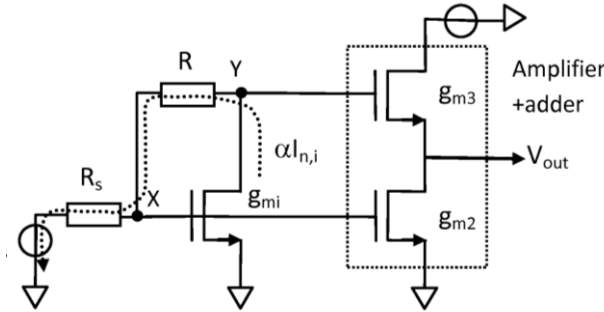
$$A_{v,c} = 1 + R / R_s \quad (78)$$

Denoting the voltage gain of the complete noise canceling amplifier  $A_{VF,c}$  and setting the input impedance to  $R_s$  gives the amplifier gain in (79).

$$A_{VF,c} = V_{out} / V_X = 1 - g_{mi} R - A_{v,c} = -g_{mi} R - R / R_s = -2R / R_s \quad (79)$$

The noise from the feedback resistor  $R$  and the amplifier with gain  $-A_v$  is not canceled. An implementation of the noise cancelling architecture is depicted in Fig. 21. The amplifier and adder are implemented in the same stage [57]. The amplifier with gain  $-A_v$  is formed by the lower NMOS device with transconductance  $g_{m2}$  and the load defined by the upper NMOS device with transconductance  $g_{m3}$ . The gain  $A_v$  is given by (80).

$$A_v = g_{m2} / g_{m3} \quad (80)$$



**Fig. 21. Implementation of CS LNA with resistive feedback and noise cancelation**

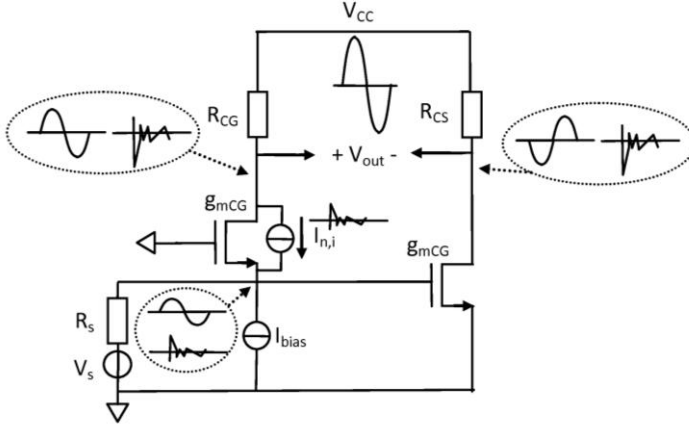
The total voltage gain,  $A_{VF}$ , is given by the addition of the output voltages from the resistive feedback input stage and the output voltage of the amplifier with gain  $-A_v$  [57].

$$A_{VF} = 1 - g_{mi} R_s - g_{m2} / g_{m3} \quad (81)$$

In practice total noise cancellation only occurs at DC for the amplifier voltage gain  $A_v = A_{v,c}$  [57]. For high frequencies the parasitic capacitance  $C_{IN}$  to ground at the input node  $X$  in Fig. 20 and 21 will degrade the noise performance since the noise voltages at node  $X$  and  $Y$  are affected differently when the frequency increases [57]. Minimizing the input capacitance  $C_{IN}$  is therefore important. One way of reducing  $C_{IN}$  is to use a semiconductor process with high  $f_T$  or to use a cascode at the input stage. Package parasitics at the RF input also increases  $C_{IN}$ . The noise cancelling concept can also be utilized for distortion canceling [57], [77]. If a differential input is desired, an architecture with two single-ended stages can be used [58]. This topology is then connected to a duplexer with differential output. Typically the differential duplexer has an output impedance of 100 to 200  $\Omega$ . Higher input impedance of the LNA increases the voltage gain measured from the input port of the duplexer. If the duplexer has an input impedance of  $Z_{in\_dupl}$  and an output impedance of  $Z_{out\_dupl}$  the impedance transformation will give a voltage gain of  $G_{V\_dupl} = \sqrt{Z_{out\_dupl} / Z_{in\_dupl}}$ . A resistive feedback LNA with noise cancellation does not have a noise figure as low as a CS LNA with inductive degeneration. The voltage gain is defined by the noise canceling criteria and is therefore limited [57, 58].

### 5.4.1 Noise cancelation with combination of CG- and CS stage

In a common cellular receiver a mixer with differential RF input is used in order to reduce second order distortion [4]. The architecture outlined in Fig. 22 is a combination of a CG-stage and a CS-stage that at the same time provides both noise cancellation and a single-ended input to balanced output conversion [76]. The architecture also provides simultaneous distortion cancelling [76]. Due to the CG-stage input the architecture has wideband input matching. The design does not require any balun. It is also not possible to design an on-chip balun that can be tuned across the entire bandwidth of the CG-stage.



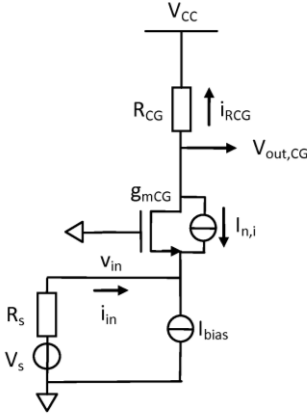
**Fig. 22. Noise cancellation with combination of CS- and CG stage**

To have a balanced balun output at node  $V_{out}$  in Fig. 22 the gain of the CS-stage should be equal to the gain of the CG-stage but have opposite phase. A CG stage with a noise source  $I_{n,i}$  in parallel with the drain current is depicted in Fig. 23. The input current  $i_{in}$  is the same as the current through the load resistor,  $i_{RCG}$  [76]. The input current is given by (82).

$$i_{in} = i_{RCG} = \frac{v_{out,CG}}{R_{CG}} = \frac{v_{in} \cdot A_{v,CG}}{R_{CG}} \quad (82)$$

The input impedance of the CG stage [76] is then defined by (83).

$$R_{in,CG} = \frac{v_{in}}{i_{in}} = \frac{R_{CG}}{A_{v,CG}} \quad (83)$$



**Fig. 23. CS-stage with noise source  $I_{n,i}$**

For a CG-stage the input impedance equals  $1/g_m$  and the voltage gain is given by  $A_{v,CG} = g_m \cdot R_{CG}$ . If the input is matched to the source resistance  $R_s$ , i.e.  $R_{in,CG} = R_s$  (84) applies [76].

$$A_{v,CG} = \frac{R_{CG}}{R_{in,CG}} = \frac{R_{CG}}{R_s} \quad (84)$$

For the architecture in Fig. 22 to have a balanced output the gain of the common-source stage should be equal to the gain of the common-gate stage but have a 180 degrees phase as given by (85)

$$A_{v,CS} = -A_{v,CG} = -R_{CG}/R_s \quad (85)$$

In Fig. 22 and 23 the noise of the input CG-device is represented by a noise current source  $I_{n,i}$ . The noise source generates two noise voltages, one at the input node and one at the output node. These two noise sources are correlated but have a 180 degrees phase difference. The noise voltage source at the input is given by (86) [76].

$$v_{n,in} = \alpha \cdot I_{n,i} \cdot R_s \quad (86)$$

The noise voltage at the output is given by (87) [76].

$$v_{n,CG} = -\alpha \cdot I_{n,i} \cdot R_{CG} \quad (87)$$

The scaling factor  $\alpha$  is defined by the voltage division between the input resistance of the CG-stage,  $R_{in,CG}$ , and the source resistance  $R_s$  [76].

$$\alpha = \frac{R_{in,CG}}{R_{in,CG} + R_s} \quad (88)$$

When the gain of the CS stage is equal to the inverse of the gain of the CG stage, noise cancelling of the CG-stage noise at the differential output  $V_{out}$  will occur since the noise at the CG- and CS stage output will have equal magnitude and phase [76]. The overall voltage gain is given by (89).

$$A_v = g_{mCG} \cdot R_{CG} + g_{mCS} \cdot R_{CS} \quad (89)$$

It is possible to achieve a significant improvement in noise figure optimizing the relation between the transconductance and load resistor of the CG-stage and CS-stage [76]. If the CS transistor is scaled up to be  $n$  times larger than the CG transistor and the voltage gain of the stages are still equal, i.e.  $A_{v,CS} = -A_{v,CG}$ , the following applies:  $g_{mCS} = n \cdot g_{mCG}$  and  $R_{CS} = R_{CG} / n$ . The noise figure will decrease with increased scaling factor  $n$  [76].

## 6 Mixer architectures

### 6.1 Introduction

The mixer architecture in cellular zero-IF receivers is either active [4], [17], [78]-[81] or passive [4], [17]. The double balanced mixer [4], [17] is the dominating topology regardless of the whether the mixer architecture is active or passive. The key metrics of the mixer are:

- conversion gain
- noise figure
- port isolation
- third order linearity, i.e.  $IIP_3$
- second order linearity, i.e.  $IIP_2$
- power consumption
- harmonic rejection, i.e. conversion gain for harmonics of  $f_{LO}$

Harmonic rejection [82] is an increasingly important parameter in multi standard terminals supporting, i.e. Wi-Fi. Harmonic down conversion can also be counteracted by using narrow band LNA input matching in combination with narrow band baluns as described in paper II. Double balanced architectures have been preferred compared to single balanced topologies since these have built in suppression of common-mode signals, i.e.  $IM_2$  products from the RF port as well as suppression of noise from the LO side. If a balanced LNA is used there is no need for an on-chip balun that is required with a single-ended LNA. However, even if a single balanced mixer has drawbacks its performance can be significantly increased using the technique described in paper 1. The  $IIP_2$  and DC-offset of this

mixer is from Monte Carlo simulations [83] sufficient for use in a WCDMA system.

## 6.2 Active mixers

### 6.2.1 Introduction

In BiCMOS technology the active mixer architecture [4], [17], [78]-[81] dominates over its passive counterpart implemented using only MOS devices. The CMOS part of BiCMOS semiconductor processes is usually a generation behind the CMOS only processes available at the same time. In BiCMOS technology the mixer switching core is implemented with bipolar devices as in paper I in order to reduce the  $1/f$  noise. This is the main concern in active mixers designed with only CMOS devices for zero-IF receivers [84]-[87]. The active mixer provides conversion gain while the passive mixer topology results in a loss [4]. This relaxes the gain requirement of the LNA in an architecture with an active mixer. The transconductance stage is usually implemented with a MOS device as in the design presented in paper I since for a given tail current the third order nonlinearity will be lower for a MOS device compared to a bipolar transistor. The  $1/f$  noise of the MOS transconductance stage will be up-converted by the switching pair and will not fall within the baseband frequencies. The active mixer also provides isolation between the I- and Q branches. This is an issue that must be addressed in passive mixer implementations using e.g. a 4-phase clock [87]. Since there is no DC-current in the passive mixer the DC-voltage offset in the passive mixer is much lower compared with the active mixer.

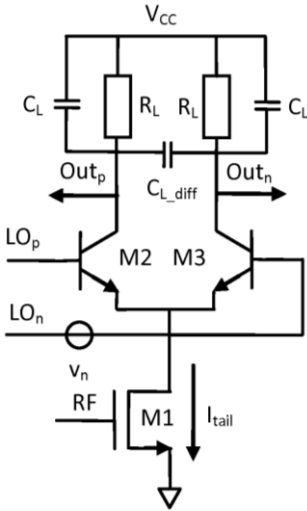
### 6.2.2 Single-balanced active mixer

#### 6.2.2.1 Introduction

The single balanced active mixer depicted in Fig. 24 has an NMOS transconductance stage and a bipolar switching core as in the design presented in paper I. The mixer load is defined by the resistor  $R_L$  and the filtering capacitors  $C_L$  and  $C_{L,diff}$ . The RF signal is single-balanced eliminating the need of either a balanced LNA or single-ended to balanced conversion in e.g. an on-chip balun if a single-ended LNA is used. This is the main advantage of the single-balanced mixer. There are however also important drawbacks with this topology. The mixer is sensitive to noise from the LO driver compared to the double-balanced topology [4]. The LO signals do not cancel at the differential output as for the double balanced mixer [4]. This is not an issue in a zero-IF receiver due to the low-pass filter at the mixer output. Another drawback is that the single balanced mixer lacks the built-in suppression of LO to RF leakage that is present in the double balanced counterpart. If the mixer switching core has mismatch the LO-leakage to the RF input will increase. In a FDD system with a TX leakage into the LNA second order distortion will be created from cross modulation [20], [32]-[37] of the LO-



leakage with the AM-modulated TX-signal. The design presented in paper I has a feedback loop around the switching core that suppresses the mismatch.



**Fig. 24. Single-balanced active BiCMOS mixer**

### 6.2.2.2 Noise properties of the single-balanced mixer

Compared to the double balanced mixer the single balanced mixer does not suppress noise from the LO chain [4], [86]. In Fig. 24 the LO noise source is modeled as a noise voltage source in series with the base of the switching devices M2 and M3. If the LO signal is a square wave noise from the LO driver will be down converted both at the fundamental frequency but also at the odd harmonics of  $f_{LO}$  [78], [84]. This is one of the main drawbacks of the single balanced mixer limiting its noise performance. However, down conversion of noise from the LO chain at the fundamental frequency can be significantly reduced by driving the mixer with a signal with short rise- and fall time. If the LO signal has finite rise- and fall time there will be a moment in time when both M2 and M3 are on simultaneously [4]. The noise from the LO chain will then be amplified as in an ordinary differential multiplier [30]. If the LO signal has infinite short rise- and fall time the time when both the switching devices M2 and M3 are on simultaneously is zero. The noise from the LO driver is then ideally eliminated if the LO voltage is generated from a source with zero impedance, i.e. while turned on the switching device looks as a cascode [55] seen from the transconductance stage. Short rise- and fall time of the LO is also important to suppress the noise from the switching devices M2 and M3 [4]. When both devices are turned on simultaneously during the LO signal transient, they will act as a differential amplifier amplifying each other's noise [4], [17]. The noise from M2 and M3 is uncorrelated. When the LO signal is at its maximum value, e.g. M2 is turned on

and M3 is turned off, M2 is operating as a cascode and adds very little noise. M3 on the other hand is off and adds no noise at all.

Emitter followers [55] can be used after as the LO generating block to provide a low impedance voltage source to drive the switching mixer core. With emitter followers added the rise-and fall time of the LO will decrease at the expense of increased current consumption

The noise from the transconductance stage M1 at the mixer output on the other hand is at its maximum when the when either of the mixer core devices are fully turned on. In the LO transition when both M2 and M3 are equally on the noise from the transconductance stage will cancel at the mixer output [4].

The load resistors  $R_L$  will add significantly to the mixer noise as well. The size of resistors is large in order to maximize the voltage gain.

### **6.2.2.1 LO feed-through of the single balanced mixer**

The LO signal will be present at the differential output of single balanced differential mixer [4], [17]. This is however not an important drawback since this leakage will be heavily attenuated by the mixer load capacitors. The double balanced version has built in suppression of this leakage. A more important issue is the LO leakage to the RF port. If the switching mixer core is perfectly matched and the LO has a 50% duty cycle the LO signal at the output of the transconductance device M1 will be zero. If however there is a non-50% duty cycle or device mismatch there will be a LO signal at the output of M1. LO-leakage in combination with an AM-modulated interferer can create second order distortion through cross-modulation [20], [32]-[37].

### **6.2.2.2 Linearity of the single balanced mixer**

If the mixer is switched with a square-wave LO the third order nonlinearity will be dominated by the transconductance stage [17]. The transconductance stage of the mixer presented in paper I is linearized with a programmable feedback amplifier. If the LO signal deviates from a square wave the third order nonlinearity of the switching core will degrade the overall linearity [17]. The linearity of the transconductance stage depends on how much degeneration that is applied as well as the bias current. Either resistive or inductive degeneration is used. Inductive degeneration is beneficial for the mixer noise figure but occupies die area. The input second order intercept point of the mixer,  $IIP_2$ , is one of key parameters for a zero-IF direct conversion receiver [4]. In an FDD system the TX-leakage into the LNA contains AM-modulation. If the AM-modulation is represented by two close RF signals, an in-band low frequency interferer at baseband will be generated through the second order nonlinearities of the mixer. There are several mechanisms that will create second order intermodulation products:

### *Self mixing*

The AM modulated RF interferer signal can leak to the LO side of the mixer and mix with itself [4], [19] to create a low-frequency  $IM_2$ -product. If the LO-amplitude is not high enough the mixer behaves more like a linear multiplier [30]. This will create a second order intermodulation product. If the leakage to  $Lo_p$  and  $Lo_n$  in Fig. 24 is equal, mismatch is required to create a differential signal at the mixer output. If the LO signal is close to a square wave this effect is significantly reduced [4]. Routing of the LO and RF wires in parallel should be avoided to reduce the leakage.

### *Second order nonlinearity of the transconductance stage*

The transconductance stage has a second order nonlinearity [19], [31]. The generated  $IM_2$  product will leak to the mixer output as a common mode signal [19], [31]. Mismatch in the switching core, load resistors and LO driver then converts the common mode signal to a differential interferer at the mixer output. To reduce the effect of mismatch in the LO driver or mixer core the LO signal should be close to a square wave with large swing.

### *DC offset from LO-leakage at the LNA input*

The LO-leakage at the LNA input or mixer transconductance stage output will generate a DC offset at the mixer output [4]. The offset voltage will effectively cause the mixer core devices to be mismatched since they will have a different collector-emitter voltage,  $V_{CE}$ . The offset voltage will increase the common mode to differential mode conversion of second order intermodulation products. The DC-offset must be minimized since it can saturate the baseband filter after the mixer.

### *Second order nonlinearity of the switching mixer core*

The switching devices of the mixer core have a second order nonlinearity. Since the  $IM_2$  product is common mode the differential  $IM_2$  product will be canceled unless there is simultaneous mismatch. Mismatch can be present in the switching devices, in the mixer load resistors or in the LO driver. Mismatch in the load resistors can be significantly reduced by increasing the device sizes. Mismatch in the switching core devices can be reduced by increasing the device size but this will reduce the switching speed causing increased third order intermodulation products [17], increased self mixing [4], [19] and leakage of  $IM_2$  products from the transconductance stage [19], [31]. The matching of these devices can instead be improved by using dummy devices in the layout as well as orienting the core devices in e.g. common centroids structures.

### *Cross modulation of the LO leakage at the mixer switching core input*

The AM-modulation of the TX interferer that leaks into the LNA at the mixer core RF input will transfer to the LO-leakage at the mixer RF input through cross modulation [20], [32]-[37]. The AM-modulated LO-leakage will be

downconverted with the LO-signal and a mixer output signal is created at the  $IM_2$  frequency. Compared to the  $IM_2$  products generated by self mixing, second order nonlinearities of the transconductance stage and the mixer switching the cross modulation product is a differential signal, i.e. the phase difference of the  $IM_2$  product at the two mixer outputs is 180 degrees. As given by (17) the cross modulation product is proportional to the LO-leakage, the square of the TX-leakage and the inverse of  $IP_3^2$ . The level of  $IM_2$  products from cross modulation will depend on the mismatch of the LO driver and mixer switching core. The feedback mixer in paper I reduces cross modulation by suppressing mixer core mismatch. If the LO signal is a square-wave with harmonics at  $(2n+1)f_{LO}$  the AM modulation of the TX leakage will transfer to these harmonics as well thereby increasing the total  $IM_2$  products due to cross modulation. Cross modulation can also take place in the LNA depending on the LO leakage at the LNA input.

## 6.2.3 Double balanced active mixer

### 6.2.3.1 Introduction

The doubled balanced mixer depicted in Fig. 25 suppresses common-mode signals at the RF input. Common-mode signals are typically second order distortion products. If second order common mode signals are present at the output of M1 and M2 these will be suppressed at the differential mixer output even if there is an offset between the LO signals  $LO_p$  and  $LO_n$ . This is not the case for the single balanced mixer where LO offsets directly increase the leakage of low frequency  $IM_2$ -products from the transconductance stage.

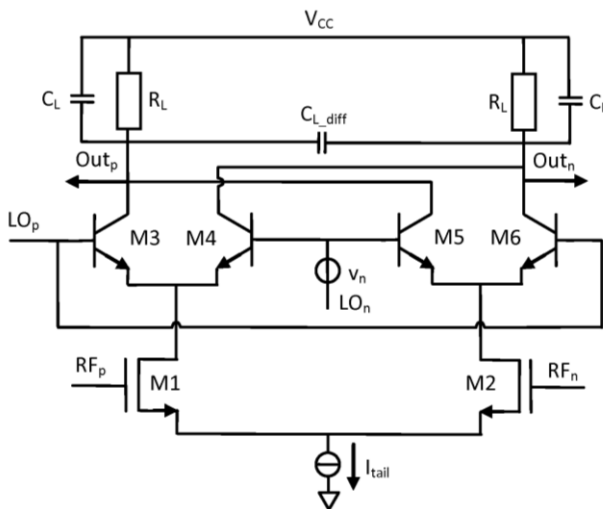


Fig. 25. Double balanced BiCMOS active mixer

### 6.2.3.2 Noise properties of the double balanced active mixer

The noise figure of the double balanced mixer will be lower compared to the single balanced mixer due to the suppression of noise from the LO driver in the double balanced implementation [4]. How large the difference is will depend on the level of the LO noise compared to the other noise sources of the mixer, i.e. transconductance stage and switching core devices. The noise from the current source generating the mixer tail current in Fig. 25 will be suppressed due to the balanced architecture. Besides this difference the same considerations as for the single balanced mixer also applies to the double balanced version.

### 6.2.3.3 LO feed-through of the double balanced mixer

The double balanced mixer has built in suppression of both LO signal leakage to the differential mixer output as well as to the differential RF input [78]. A duty cycle mismatch of the LO signal will not increase the LO feed through. However, device mismatch, e.g. between M3 and M6 will result in an increase of feed through.

### 6.2.3.4 Linearity of the double balanced mixer

For third order distortion, as for the single balanced mixer, the transconductance stage dominates the nonlinearity if the switching core is driven by a square wave LO [17]. The second order distortion mechanisms are the same as for the single balanced mixer, however due to the balanced RF input there is suppression of common-mode  $IM_2$  products from the transconductance stage. Duty-cycle mismatch of the LO signal in the single balanced mixer will result in a LO signal at the RF input. For the double balanced mixer this leakage cancels at the differential RF input. LO duty cycle errors in the double balanced mixer do not result in increased  $IM_2$  products [80].

## 6.3 Passive mixer

### 6.3.1 Introduction

In direct conversion receivers designed in submicron CMOS technologies the passive mixer [52], [88]-[90] is the dominating choice for mixer architecture. This is due to that it is difficult to realize an active mixer with CMOS technology that has low enough  $1/f$  noise. The conversion of a single ended active mixer to its passive counterpart is illustrated in Fig. 26 [52]. The bias current  $I_D$  of the transconductance NMOS in the active mixer is removed and replaced with a capacitor in the passive mixer to illustrate that no DC current is flowing. The supply voltage  $V_{DD}$  is replaced with a bias level  $V_{CM}$ . The resistor load in the active mixer is replaced with biasing resistors  $R_B$  and load capacitors  $C_L$ . The multiband LNA presented in paper II is intended to be used together with a differential passive mixer. The simulated input impedance of the mixer was used as a load on the balun secondary side.

The passive mixer architecture is only possible to implement in CMOS technology since the MOS device can have high channel conductance without a DC current being present. This is not the case with bipolar devices which require a DC current to switch between low and high impedance. In a passive mixer there is ideally no drain-source DC-current and therefore no  $1/f$  noise as given by (57) [52]. In practice a small DC channel current can actually flow in the passive mixer [52]. If a dc offset is present at the mixer output a small DC current can flow in the channels of the MOS devices during the switching transient when both devices are partially on or off [52].

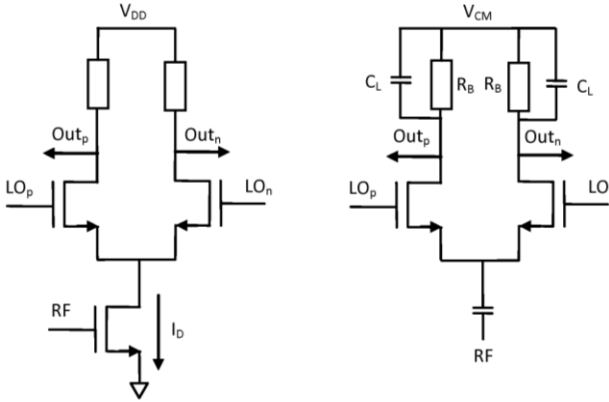


Fig. 26. Single ended active and passive mixers

### 6.3.2 Passive mixer second order distortion

Second order distortion in the passive mixer can occur due to self mixing of the RF signal [52]. The RF signal will modulate the gate-source voltage,  $V_{gs}$ , and therefore also the time varying conductance  $g(t)$  of the MOS devices [52]. If driven by a sinusoidal LO signal the switch conductance in the triode region can be expressed as (90) and (91) [52]

$$g(t) = \frac{\partial I_{ds}}{\partial V_{ds}} \Big|_{V_{ds}=0} = \mu_n C_{ox} \frac{W}{L} [V_{LO} \sin(\omega_{LO} t) - V_K]_{switch=on} \quad (90)$$

$$g(t) = 0 \Big|_{switch=off} \quad (91)$$

The parameter  $V_K$  [52] is defined by (92)

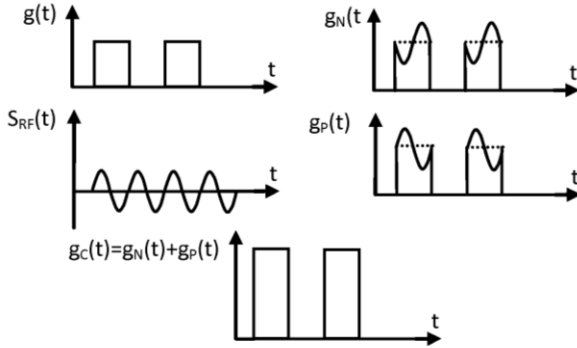
$$V_K = V_{CM} + V_{th} + V_{LODC} \quad (92)$$

In (90) the local oscillator magnitude is equal to  $V_{LO}$ . The dc bias level for the LO-signal equals  $V_{LODC}$ . The RF signal is here considered a small signal not affecting the large signal quantities. If the LO signal is large enough the conductance  $g(t)$

will be a square wave as depicted in the top left graph of Fig. 27. If the RF signal is considered large the expression for the conductance is altered as given by (93).

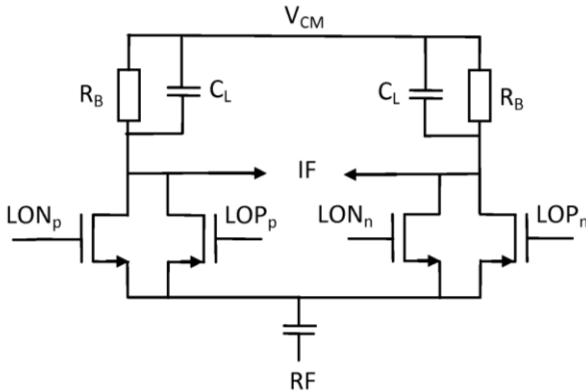
$$g_N(t) = \mu_n C_{ox} \frac{W_N}{L} [V_{LO} \sin(\omega_{LO}t) - V_{RF} \sin(\omega_{RF}t + \varphi) - V_K] \quad (93)$$

The NMOS conductance  $g_N(t)$  is now dependent on the RF input signal as depicted in the top right plot of Fig. 27.



**Fig. 27. Switch conductance of the complementary passive mixer**

To remove this dependency which will result in self mixing a complementary passive mixer as depicted in Fig. 28 is used [52].



**Fig. 28. Single ended complementary passive mixer**

The transconductance of the PMOS device is defined by (94) [52]. The NMOS conductance  $g_P(t)$  is depicted below  $g_N(t)$  in Fig. 27.

$$g_P(t) = \mu_p C_{ox} \frac{W_P}{L} [V_{LO} \sin(\omega_{LO}t) + V_{RF} \sin(\omega_{RF}t + \varphi) - V_K'] \quad (94)$$

The sum of the PMOS and NMOS conductance,  $g_C(t)$  given by (95), is independent of the RF signal under the condition that  $\mu_p W_p = \mu_n W_n$  [52].

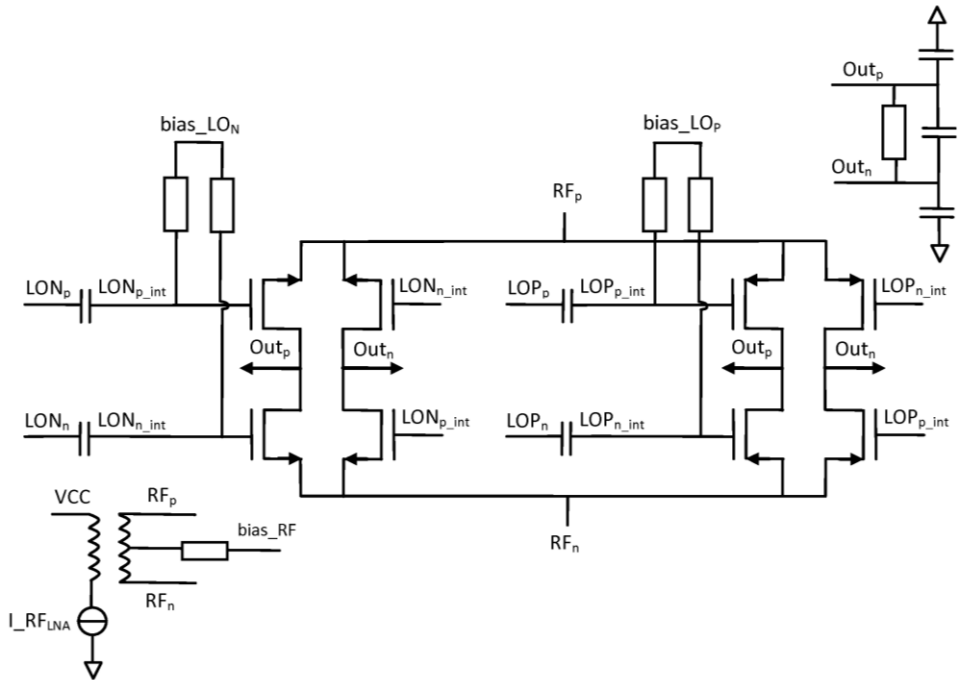
$$g_C(t) = \mu_n C_{ox} \frac{W_N}{L} \left[ 2V_{LO} \sin(\omega_{LO}t) - V_K - V_K' \right] \quad (95)$$

In practice it is hard to maintain the condition  $\mu_p W_p = \mu_n W_n$  when the mixer devices are switching [52]. The relation however serves as a good starting point for device sizing. Bias optimization of the NMOS and PMOS devices in order for the condition to be valid during the switching of the LO can reduce the self mixing effect. [52]. Even with the reduction of self-mixing second order distortion products can still be generated from the nonlinearity and mismatch of the switching MOS devices.

### 6.3.3 Differential passive mixer with four-phase clock

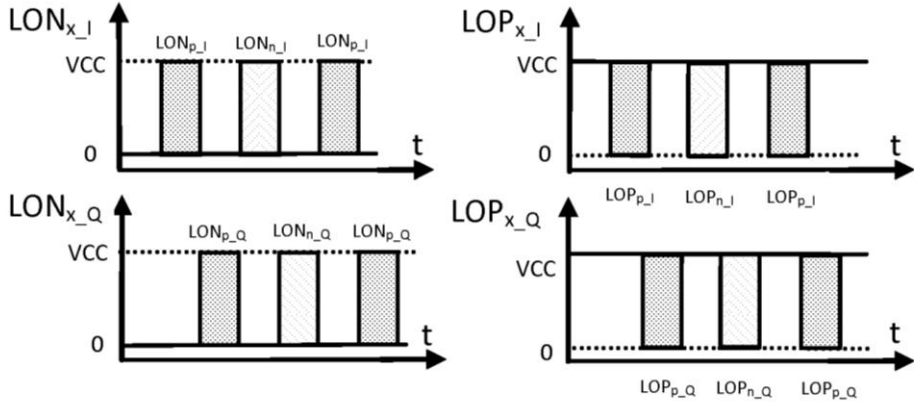
A differential version of the mixer depicted in Fig. 28 is outlined in Fig. 29. The architecture is used in the direct conversion receiver presented in [69]. For simplicity only one of the I- and Q mixer is depicted. The mixer has a differential RF input labeled  $RF_p$  and  $RF_n$ . The differential RF signals are generated in an on-chip balun with centre tap biasing at the secondary side. The primary side is supplied with the output current from the LNA. The mixer differential output labeled  $Out_p$  and  $Out_n$  is loaded with the input impedance of the baseband filter. Compared to the active mixer in which the mixer is preceded by a transconductance stage that separates the RF input for the I- and Q mixer the passive mixer architecture depicted in Fig. 29 has no built-in isolation between the I- and Q branch. If the mixer would have been driven by a LO-signal with 50% duty cycle the mixer I- and Q outputs would be short-circuited when the I- and Q clock signals overlapped. Adding an additional stage after the balun to provide the necessary isolation would increase the current consumption.





**Fig. 29. Differential complementary passive mixer**

Instead a four-phase clock [69], [87], [88] as depicted in Fig. 30 with 25% duty cycle can be used in order to isolate the I- and Q mixer from each other. The 25% clock signal can be generated from a VCO oscillating at  $2f_{LO}$ . Signals at  $f_{LO}$  with 50% duty cycle are then created in an I/Q divider. By combining a signal at  $f_{VCO}$  and a signal at  $f_{LO}$  but with 50% duty cycle in a NAND gate, clock signals with 25% duty cycle are provided. Cascaded inverters can be used to increase the flank speed of the clock signals. Even if the mixer core is passive the clock generation consumes a significant amount of current. The current consumption also depends on the sizing of the core devices. Increased device size improves the matching and therefore also reduces the second order distortion.



**Fig. 30.** LO signals for the differential complementary passive mixer

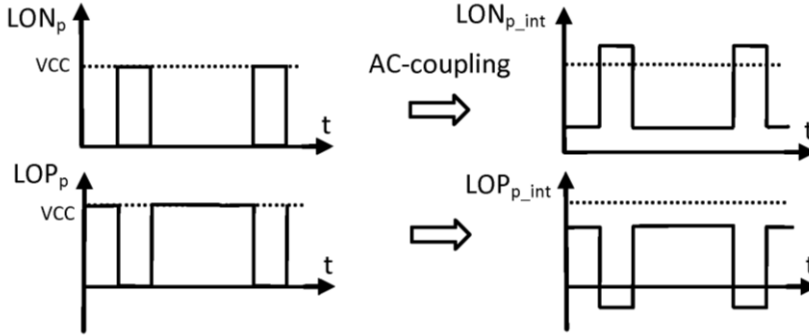
The two left plots of Fig. 30 labeled  $LON_{x_I}$  and  $LON_{x_Q}$  depict the clock signals to the I- and Q NMOS mixers. The two right plots depict the clock signals to the PMOS mixers. The Q-mixers clock signals are  $90^\circ$  offset from the I-mixer clock pulses. A clock pulse that is  $180^\circ$  offset e.g.  $LON_{n_I}$  compared to  $LON_{p_I}$  in Fig. 30 is located midway between two  $LON_{p_I}$  pulses as in the top left graph of Fig. 30. The PMOS mixers have clock signals that turn on the PMOS device when the clock signal is zero volts. The switch on-resistance is defined by the  $W/L$  ratio. Maximum conversion gain is however not found for minimum on-resistance since if the width is increased too much the gain will decrease due to larger parasitics. For equal switch conductance while turned on the  $W/L$  ratio of the PMOS is larger compared to the ratio of the NMOS device. The load of the PMOS device therefore increases the current consumption significantly. Without the PMOS mixer the second order distortion will increase due to self mixing [52].

For fastest possible switching, i.e. short rise- and fall time of the switch conductance it is important for the switch device to have a large overdrive voltage  $V_{GS} - V_t$ . The  $IP_3$  of the mixer will otherwise degrade. The AC coupling of the clock signals depicted in Fig. 31 can be used to increase the overdrive voltage. Since the clock signal has 25% duty cycle (96) and (97) applies for the NMOS mixer clock if the low- and high clock voltages are denoted  $V_{LO-L}$  and  $V_{LO-H}$  respectively: The gate is biased with  $bias_{LO_N}$ .

$$(V_{LO-H} + 3 \cdot V_{LO-L}) / 4 = bias_{LO_N} \quad (96)$$

$$V_{LO-H} - V_{LO-L} = VCC \quad (97)$$

Combining (96) and (97) and setting  $bias\_LO_N$  to e.g.  $VCC/2$  gives  $V_{LO-L} = VCC/4$  and  $V_{LO-H} = 5/4 \cdot VCC$ . For the PMOS mixer  $V_{LO-L} = -VCC/4$  and  $V_{LO-H} = 3/4 \cdot VCC$ . The increase of the overdrive voltage using the AC-coupling principle is illustrated in Fig. 31 for both NMOS and PMOS clock signals labeled as in Fig. 29.



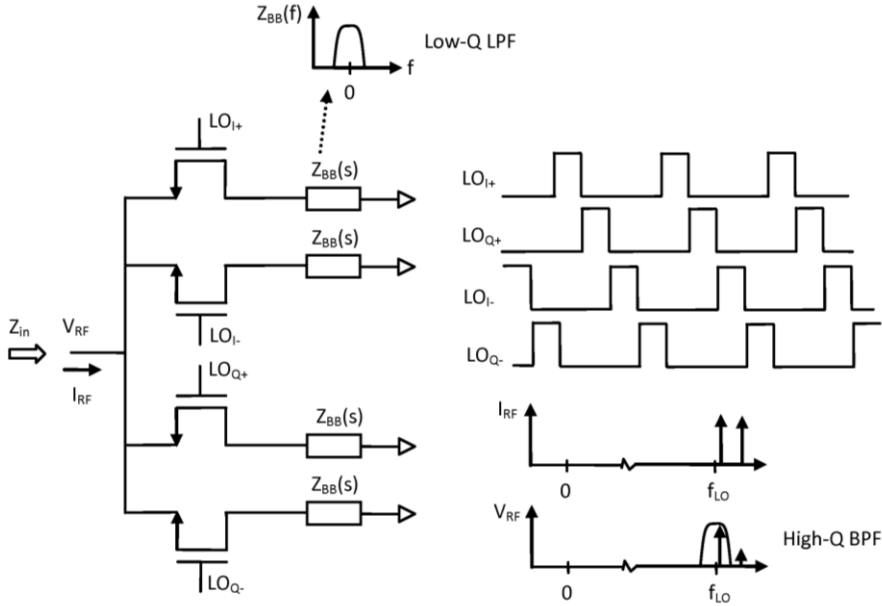
**Fig. 31. AC coupling of the four-phase clock to increase the switch overdrive voltage**

The gate overdrive voltage can also be increased by altering the device length since this changes the threshold voltage. For a device biased with high  $V_{DS}$  the short channel effect, SCE, dominates, i.e. the threshold voltage decreases with decreasing channel length. If  $V_{DS}$  is low and the device is in the subthreshold region another effect, the reverse short channel effect, RSCE, dominates instead [91]. In this region the threshold voltage instead increases with decreasing channel length. The shortest switching time is therefore not found for the minimum channel length.

### 6.3.4 Passive mixer frequency translation

The passive mixer translates the low pass baseband filter into a high Q band pass filter on the RF filter through the passive mixer filtering effect [87], [88], [25], [92]-[95]. This is due to that the turned on switch of the passive mixer does not provide any isolation between the baseband side and the RF side. The baseband filter will attenuate interferers at the RF side. The active mixer does not benefit from this effect since the switching mixer core devices provides backwards isolation. The concept of impedance transformation in passive mixers is based on techniques used in switched capacitor filters [25]. With a sampling frequency  $f_c$  of the highest input frequency is  $N \cdot f_c$ . The Nyquist limit is extended to  $N \cdot f_c / 2$  by having N copies of the filter that are only turned on a time equal to the period divided by N. This is applied to the four-phase mixer depicted in Fig. 32 [25] with four copies of the baseband low-pass filter. The low-pass filter response at baseband frequencies is transferred to RF frequency. Due to the impedance

transformation, the interferer close to the desired signal is heavily attenuated at the mixer input.



**Fig. 32. Current-driven passive mixer with four-phase clock and frequency translation of  $Z_{BB}$**

Since the desired signal as well as the signal to be filtered is located around  $\omega_{LO}$  a simplified expression for the mixer input impedance  $Z_{in}$  is given in (98) [87]:

$$Z_{in}(s) = R_{SW} + \frac{2}{\pi^2} [Z_{BB}(s - j\omega_{LO}) + Z_{BB}(s + j\omega_{LO})] \quad (98)$$

The mixer input impedance at RF is the switch resistance  $R_{SW}$  plus a baseband impedance  $Z_{BB}$  that has been frequency shifted to  $\pm\omega_{LO}$  [87]. The impedance transformation from baseband to RF is a property that active mixer do not have. The passive mixer converts a low Q low-pass filter to a high-Q bandpass filter. This property is highly desired since it can be utilized to attenuate interfering signals. In order to maximize the Q-value of the bandpass filter the switch resistance  $R_{SW}$  should be minimized. By using a four-phase clock the IQ interaction is also strongly reduced [87]. IQ-interaction is an issue in passive mixers since there is no isolation between the I and Q channels. IQ interaction results in e.g. unequal high- and low-side conversion gain,  $IIP_2$  and  $IIP_3$ .

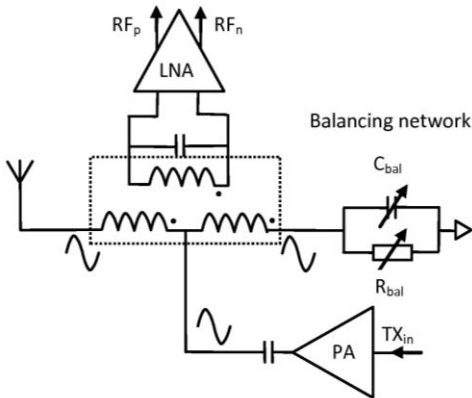
## 7 Future radio architectures

### 7.1 Introduction

The number of front end components, i.e. duplexers, SAW-filters and matching components for LNAs, increase for each new product generation. A typical terminal is equipped with an FEM (Front End Module) that contains the duplexers and SAW filters for frequency bands that are used in all regions. Depending on which region the terminal will be used in, other duplexers are added to the platform. The increasing number of frequency bands that are supported together with radio performance enhancement features e.g. RX diversity have made the cost of the external components compatible with the RF ASIC itself. The RF input that are used for RX diversity do not require duplexers, however a SAW filter is required. The PCB area occupied by the external components is also of the same size as the RF ASIC. Research efforts have lately been targeted to design radio architectures that could potentially eliminate the need of both the SAW filter in EGG as well as the duplexer in WCDMA.

### 7.2 Duplexer elimination

In WCDMA the maximum TX output power is +24 dBm at the antenna [3] resulting in +26 dBm output power from PA assuming 2 dB loss in the duplexer. The duplexer attenuates the TX signal 50-55 dB leaving -26 dBm TX power at the LNA input with 52 dB attenuation. Replacing the duplexer with on-chip L-C filters to provide the same attenuation is not possible. A lower attenuation would result in increased second order distortion from the transmit signal, possible compression of the LNA and increased down conversion of noise from the transmitter in the receiver. A higher TX leakage also increases the current consumption of the LNA significantly. An architecture that instead of filtering of the TX signal uses the concept of electrical balance is depicted in Fig. 33 [25], [96].



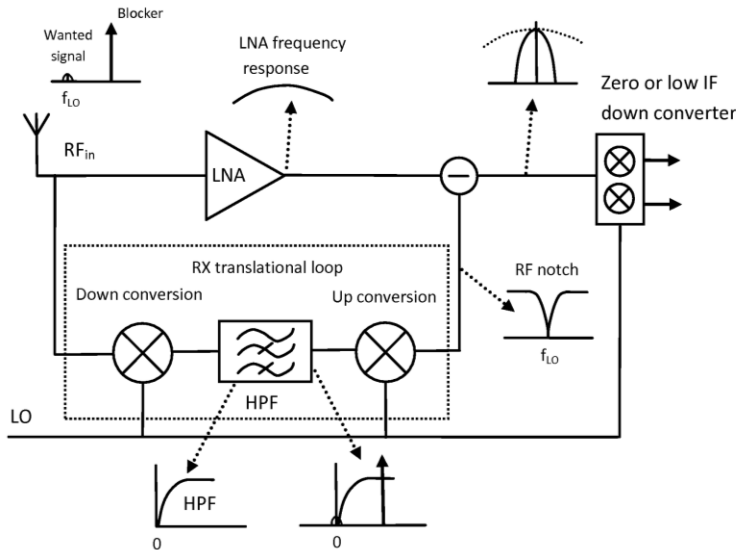
**Fig. 33. Architecture using electrical balance to cancel the TX signal**

The PA feeds the centre tap of an on-chip transformer. The other side of the transformer is connected to a differential LNA. With a balancing network that is an exact replica of the antenna impedance the TX signal will cancel at the differential LNA input. The architecture has certain important drawbacks though. The isolation is extremely sensitive to mismatch between the antenna and dummy load impedance. If the antenna surrounding changes, e.g. someone touches it the isolation will degrade severely. Dynamic tuning with high resolution is therefore required. The second drawback is that 3dB of TX power is lost in the tuned load, thus increasing the current consumption.

### 7.3 E-GSM SAW-filter elimination

In EGG the receiver must handle an out of band interferer at 0dBm power without too much sensitivity degradation. The 3GPP requirement states a maximum NF of 15dB [3] with a 0dBm blocker present. Fulfilling only this quite relaxed requirement is however not sufficient to be competitive. The 0 dBm interferer is quite close to the band edge. In e.g. the PCS 1900 band the interferer is at 80MHz from the band edge while in the E-GSM low band the distance is only 20MHz [7]. For a conventional receiver design with a SAW filter at the RF input the receiver is designed to handle a -23 dBm in-band blocker at 3MHz from the wanted signal. The SAW filter then provides at least 23dB of attenuation for the 0 dBm blocker. Several novel architectures exist targeted towards E-GSM SAW filter elimination. One new receiver topology is the *mixer first receiver* [97], [98] that do not have an LNA in front of the mixer. These architectures however do not have a sufficiently low NF. Harmonic down-conversion constitutes a severe drawback since there is no suppression of e.g.  $3*f_{LO}$  before the mixer. Another issue is the LO leakage to the antenna input. A second architecture is using the *N-path filtering effect* [25] utilizing a technique where the base-band impedance is translated to  $f_{LO}$  through a current-mode passive mixer. This way the low-Q baseband filter is transferred to a

high-Q filter at RF. A third proposed solution is the *feed forward blocker cancellation* architecture [7], [25], [99], [100] depicted in Fig. 34 [7].



**Fig. 34. Feed forward blocker cancellation architecture**

In this design two RF paths are subtracted. The first path contains the small wanted signal and the blocker. The second path provides a notch filter for the wanted signal. Subtraction at the output before the mixer then ideally only gives the small wanted signal. The notch filter is realized using a frequency translational loop. The RF signal is first down converted in the first mixer. The high pass filter then removes the down-converted wanted signal. Up-conversion in the second mixer results in a sharp RF filter. The mixers are all clocked by the same LO-signal resulting in good frequency control of the RF-notch frequency [7]. The LNA must still be able to handle the 0dBm interferer at the input since blocker cancellation takes place at the output and is therefore realized with a common-gate architecture [7]. The measured noise figure is 3.9dB with the blocker cancellation disabled and 6.8dB with the feed forward path active [7].

# CHAPTER 8

## 8 Conclusions

This licentiate thesis covers the design of single ended LNAs and mixers for cellular receivers in CMOS and BiCMOS technology. Several other high performance LNA and mixer architectures besides the designs presented in paper I and II are provided in the thesis as a background. Compared to differential architectures single ended topologies have several advantages. The pin count of the RF inputs is reduced by half. This is beneficial in multiband architectures with a large number of LNAs where routing of RF signals on the PCB otherwise becomes troublesome. The combination of a single ended LNA and single ended mixer also does not require any on-chip balun occupying a large die area. A combination of a single balanced LNA with a balun and a differential mixer is beneficial both for second order distortion as well as receiver noise figure. There is however also drawbacks associated with the single ended designs. Using design techniques presented in paper I and II the performance of a single ended LNA and mixer can be high enough to meet the requirements on a WCDMA receiver.



## References

- [1] M. Brandolini, P. Rossi, D. Manstretta, F. Svelto, "Toward multistandard mobile terminals-fully integrated receivers requirements and architectures", *IEEE Transactions on Microwave Theory and Techniques*, March 2005
- [2] D. Astély, E. Dahlman, A. Furuskär, Y. Jading, M. Lindström, S. Parkvall, "LTE: The Evolution of Mobile Broadband", *IEEE Communications Magazine*, Apr. 2009
- [3] 3<sup>rd</sup> Generation Partnership Project (3GPP), [www.3gpp.org](http://www.3gpp.org)
- [4] B. Razavi, RF Microelectronics, USA, Prentice Hall, ISBN 0-13-887571-5, 1998
- [5] B. Razavi, "Design Considerations for Direct Conversion Receivers", *IEEE Transactions on Circuits and Systems-II: Analog and Digital Signal Processing*, vol. 44, no. 6, pp. 428-435, June 1997
- [6] A. Dammann, S. Kaiser, (2002), Transmit/Receive-antenna diversity techniques for OFDM systems. *Transactions on Emerging Telecommunications Technologies*, 13: 531–538. doi: 10.1002/ett.4460130514
- [7] H. Darabi, "A blocker filtering technique for SAW-less wireless receivers", *IEEE Journal of Solid-State Circuits*, vol. 42, no. 12, pp. 2766-2773, Dec. 2007
- [8] J. Zhu, A. Waltho, X. Yang, X. Guo, "Multi-Radio Coexistence: Challenges and Opportunities", in the *Proceedings of 16<sup>th</sup> International Conference on Computer Communications and Networks*, ISBN: 978-1-4244-1251-8, pp. 358-364, Honolulu, Aug. 2007
- [9] M. Zargari et al, "A Single-chip Dual Band Tri-Mode CMOS Transceiver for IEEE 802.11a/b/g Wireless LAN", *IEEE Journal of Solid State Circuits*, vol. 39, no. 12, pp. 2239-2249, Dec 2004
- [10] F. Wang, A. Ghosh, C. Sankaran, P. J. Fleming, F. Hsieh, S. J. Benes, "Mobile WiMAX Systems: Performance and Evolution", *IEEE Communications Magazine*, Oct. 2008
- [11] D. Astely, E. Dahlman, A. Furuskär, S. Parkvall, "TD-LTE – The radio-access solution for IMT-Advanced/TDD, in the proceedings of 5<sup>th</sup> International ICST Conference on Communications and Networking in China (CHINACOM), ISBN: 973-963-9799-97-4, pp. 1-5, Aug. 2010

- [12] P. W. Chan, E. S. Lo, R. R. Wang, E. K. S. Au, V. K. N. Lau, R. S. Cheng, W. H. Mow, R. D. Murch, K. B. Letaeif, "The Evolution Path of 4G Networks: FDD or TDD?", *IEEE Communications Magazine*, Dec. 2006
- [13] Ming-Ta Yang; Ken Liao; Welstand, R.; Teng, C.; Wing Sy; Ying Chen; Dutta, R.; Chidambaram, P.; Han, M.; Yang Du; Yeap, G, "RF and mixed-signal performances of a low cost 28nm low-power CMOS technology for wireless system-on-chip applications", in the proceedings of *2011 Symposium on VLSI Technology (VLSIT)*, ISBN: 978-1-4244-9949-6, pp. 40-41, June 2011
- [14] J.N. Burghartz, "Silicon RF Technology-The two generic approaches", in the proceedings of the *27<sup>th</sup> European Solid-State Device Research Conference (ESSDRC)*, ISBN: 2-86332-221-4, pp. 143-153, Sep 1997
- [15] Y. Le Guillou, O. Gaborieau, P. Gamand,, M. Isberg,, P. Jakobsson, L. Jonsson, D. Le Deaut, H. Marie, S. Mattisson, S. L. Monge, T. Olsson, S. Prouet, T. Tired, "Highly integrated direct conversion receiver for GSM/GPRS/EDGE with on-chip 84-dB dynamic range continuous-time  $\Sigma\Delta$  ADC", *IEEE Journal of Solid State Circuits*, vol. 40, no. 2, pp. 403-411, Feb. 2005
- [16] R. A. Shafik, S. Rahman, AHM. Razibul Islam, "On the Extended Relationships Among EVM, BER and SNR as Performance Metrics", in the proceedings of the *International Conference on Electrical and Computer Engineering, ICECE '06*, ISBN 98432-3814-1, pp. 408-411, Dhaka, Dec. 2006'
- [17] T. H. Lee, "*The Design of CMOS Radio-Frequency Integrated Circuits*", Cambridge University Press, ISBN 9780521835398, 1998
- [18] T. Stücker, N. Christoffers, R. Kokozinski, S. Kolnsberg, B. J. Hosticka, "LNA for Low-Power, Low Data Rate PAN Applications", *Advances in Radio Science*, no. 4, pp. 219-224, 2006
- [19] Walid Y. Ali-Ahmad, "Effective IM2 estimation for two-tone and WCDMA modulated blockers in zero-IF, *Rfdesign*, April 2004
- [20] C. W. Liu, M. Damgaard, "IP2 and IP3 Nonlinearity Specifications for 3G/WCDMA Receivers, *Microwave journal*, May 2009
- [21] F. Kristensen, P. Nilsson, A. Olsson, "A Generic Transmitter for Wireless OFDM Systems", in the proceedings of *Personal, Indoor and Mobile Radio Communications, 2003*, ISBN 0-7803-7822-9, pp. 2234-2238, Sept 2003
- [22] A. Mirzaei *et al.* "A 65nm CMOS quad-band SAW-less receiver for GSM/GPRS/EDGE", *IEEE Journal of Solid-State Circuits*, vol. 46, no. 4, pp. 950-964, Apr. 2011

- [23] J. Borremans *et al.*, “A 40nm CMOS highly linear 0.4-6GHz receiver resilient to 0dBm out-of-band blockers”, in the proceedings of *2011 IEEE International Solid-State Circuits Conference (ISSCC)*, ISBN 9780521835398, pp. 62-64, Feb 2011,
- [24] I. Lu *et al.*, “A SAW-less GSM/GPRS/EDGE receiver embedded in a 65nm SoC”, in the proceedings of *2011 IEEE International Solid-State Circuits Conference (ISSCC)*, ISBN 978-1-61284-303-2, pp. 364-366, Feb. 2011,
- [25] H. Darabi, A. Mirzaei, M. Mikhemar, ”Highly Integrated and Tunable RF Front Ends for Reconfigurable Multiband Transceivers: A Tutorial”, *IEEE Transactions on Circuits and Systems-I*: vol. 58, no. 9, pp. 2038-2050, 2011
- [26] M. Mikhemar, H. Darabi, A. Abidi, “An On-Chip Wideband and Low-Loss Duplexer for 3G/4G CMOS Radios”, in the proceedings of *2010 IEEE Symposium on VLSI Circuits (VLSIC)*, pp. 129-130, 2010
- [27] Masoud Zargari *et al.*, “A Single-chip Dual-Band Tri-Mode CMOS Transceiver for IEEE 802.11a/b/g Wireless LAN”, *IEEE Journal of Solid-State Circuits*, vol. 39, no. 12, pp. 2239-2249, Dec 2004
- [28] J. Zhu, A. Waltho, X. Yang, X. Guo, “Multi-Radio Coexistence: Challenges and Opportunities”, in the proceedings of *16<sup>th</sup> International Conference on Computer Communications and Networks, ICCN 2007*, ISBN 978-1-4244-1251-8, pp. 358-364, Aug. 2007
- [29] Z. Ru, E. Klumperink, G. Wienk, B. Nauta, ”A software-defined radio receiver architecture robust to out-of-band interference”, in the proceedings of *2009 IEEE International Solid-State Circuits Conference (ISSCC)*, ISBN 978-1-4244-3458-9, pp. 201-231, 231a, Feb. 2009
- [30] B. Gilbert, “Design considerations for active BJT mixers,” in *Low-Power HF Microelectronics; A Unified Approach*, G. Machado (Ed.), Great Britain, IEE Press, Ch. 23, 1996.
- [31] D. Coffing, E. Main, “Effects of offsets on bipolar integrated circuit even-order distortion terms,” *IEEE Transactions on Microwave Theory and Techniques.*, vol. 49, no. 1, pp. 23-30, Jan. 2001
- [32] N. Swanberg, J. Phelps, M. Recouly, “WCDMA cross modulation effects and implications for receiver linearity requirements”, in the proceedings of *Radio and Wireless Conference, 2002. RAWCON 2002. IEEE*, ISBN: 0-7803-7458-4, pp. 13-18, 2002

- [33] I. Elahi, K. Muhammad, P. T. Balsara, "IIP2 and DC Offsets in the Presence of Leakage at LO frequency", *IEEE Transactions on Circuits and Systems II: Express Briefs*, vol. 53, no. 8, pp. 647-651, Aug 2006
- [34] I. Elahi, K. R. Muhammad, "Asymmetric DC offsets and IIP2 in the Presence of LO Leakage in a Wireless Receiver", in the proceedings of *Radio Frequency Integrated Circuits (RFIC) Symposium, 2007 IEEE*, ISBN 1-4244-0530-0, pp. 313-316, June, 2007
- [35] I. Elahi, K. R. Muhammad, "IIP2 Calibration by Injecting DC offset at the Mixer in a Wireless Receiver", *IEEE Transactions on Circuits and Systems II: Express Briefs*, vol. 54, no. 12, pp. 1135-1139, Aug. 2007
- [36] F. Belveze, P. Baudin, "Specifying receiver IP2 and IP3 based on tolerance to modulated blockers", *IEEE Transactions on Communications*, vol. 56, no. 10, pp. 1677-1682, Oct. 2008
- [37] Qizheng Gu, "*RF system design of transceivers for wireless communication*", USA, Springer, ISBN 0-387-24161-2, 2005
- [38] J. Crols, M. S. J. Steyaert, "Low-IF Topologies for High-Performance Analog Front Ends of Fully Integrated Receivers", *IEEE Transactions on Circuits and Systems-II: Analog and Digital Signal Processing*, vol. 45, no. 3, pp. 269-282, March 1998
- [39] Jirayuth Mahattanakul, "The Effect of I/Q Imbalance and Complex Filter Component Mismatch in low-IF Receivers", *IEEE Transactions on Circuits and Systems-I: Regular Papers*, vol. 53, no. 2, pp. 247-253, Feb. 2006
- [40] W. Redman-White, D. M. W. Leenaerts, "1/f noise in passive CMOS mixers for low and zero IF integrated receivers", in the proceedings of *27<sup>th</sup> European Solid-State Circuits Conference, ESSCIRC 2001*, pp. 41-44, Sept. 2001
- [41] C. Iorga, "*Noise Coupling in Integrated Circuits*", Noisecoupling.com, USA, ISBN 978-0-615-19756-2, 2008
- [42] R. Gharpurey, "Modeling and Analysis of Substrate Coupling in Integrated Circuits", *PhD dissertation, University of California at Berkeley*, 1995
- [43] Nisha Checka, "Substrate Noise Analysis and Techniques for Mitigation in Mixed-Signal RF Systems", *PhD dissertation, Massachusetts Institute of Technology*, 2005
- [44] Hong Shi, "Joint Study of Simultaneous Switching Noise and IO Return Current for CMOS FPGA Package", in the proceedings of *DesignCon 2005*, 2005

- [45] N. Qu, W. Wilkening, M. Schaldach, M. Schenkel, P. Pfäffli, "Methodology for Substrate Current Robust Design by Device and Circuit Simulation", *ESPRIT 29647 SUBSAFE*
- [46] M. Pfost, H. M. Rein, "Modeling Substrate effects in the Design of High-Speed Si-Bipolar IC's", *IEEE Journal of Solid-State Circuits*, vol. 31, no. 10, pp. 1493-1501, Oct. 1996
- [47] J. M. Casalta, X. Aragonès, A. Rubio, "Substrate Coupling Evaluation in BiCMOS Technology", *IEEE Journal of Solid-State Circuits*, vol. 32, no. 4, 598-603, Apr. 1997
- [48] R. Singh, Y. V. Tretiakov, J. B. Johnsson, S. L. Weeney, R. L. Barry, M. Kumar, M. Erturk, J. Katzenstein, C. E. Dickey, D. L. Hamee, "Parasitic Modeling and Noise Mitigation in Advanced RF/Mixed-Signal Silicon Germanium Processes", *IEEE Transactions on Electron Devices*, vol. 50, no.3, pp. 700-717, March 2003
- [49] T. Blalack, Y. Leclercq, C. P. Yue, "On-chip RF isolation techniques", in the proceedings of *Bipolar/BiCMOS Circuits and Technology Meeting, 2002*, ISBN 0-7803-7561-0, pp. 205-211, Dec. 2002
- [50] B. A. Floyd, S. K. Reynolds, T. Zwick, L. Khuon, T. Beukema, U. R. Pfeiffer, "WCDMA Direct-Conversion Receiver Front-End Comparison in RF-CMOS and SiGe BiCMOS", *IEEE Transactions on Microwave Theory and Techniques*, vol. 53, no. 4, pp. 1181-188, Apr. 2005
- [51] A.M. Niknejad, R. G. Meyer, "*Inductors and Transformers for Si RF ICs*", USA, ISBN: 0-7923-7986-1, Kluwer, 2000
- [52] S. Zhou, M. C. Frank, "A CMOS Passive Mixer with Low Flicker Noise for Low-Power Direct Conversion Receiver", *IEEE Journal of Solid-State Circuits*, vol. 40, no. 5, pp. 1084-1093, May 2005
- [53] Xuejun Fan, Qiang Han, "Design and reliability in Wafer level packaging", in the proceedings of *IEEE 10<sup>th</sup> electronics packaging conference, EPTC 2008*, ISBN 978-1-4244-2117-6, pp. 834-841, 2008
- [54] P. E. Allen, D. R. Holberg, "*CMOS Analog Circuit Design*", USA, *Oxford University Press*, ISBN 0-19-511644-5, 2002
- [55] Paul R. Gray and Robert G. Meyer, "*Analysis and Design of Analog Integrated Circuits*", ISBN 978-0471574958, John Wiley, 1993

- [56] E. Klumperink, R. Shrestha, E. Mensink, G. Wienk, Z. Ru, B. Nauta, "Multipath Polyphase Circuits and their Application to RF Transceivers", in the proceedings of *IEEE International Symposium on Circuits and Systems, ISCAS 2007*, ISBN 1-4244-0920-9, pp. 273-276, May 2007
- [57] F. Bruccoleri, E. Klumperink, B. Nauta, "Wideband CMOS low-noise amplifier exploiting thermal noise cancelling", *IEEE Journal of Solid-State Circuits*, vol. 39, no. 2, pp. 275-282, 2004
- [58] M. Liliethal, T. Ström, "Wideband Inductorless LNA with Resistive Feedback and Noise Cancellation", Master Thesis, *publications.lib.chalmers.se*, 2010
- [59] G. H. Zare, Z. D. Koozehkanani, H. Sjöland, "A technique for improving gain and noise of common-gate wideband LNAs", Springer, *Analog Integrated Circuits and Signal Processing* vol. 65, pp. 239-244, 2010
- [60] W. Zhuo, X. Li, S. Shekhar, S. H. K. Embabi, J. P. de Gyvez, D. J. Allstot, E. Sanchez-Sinencio, "A Capacitor Cross-Coupled Common-Gate Low-Noise Amplifier", *IEEE Transactions on Circuits and Systems-II: Express Briefs*, vol. 52, no. 12, pp. 875-879, 2005
- [61] W. Zhuo, S. Embadi, J. P. de Gyvez, E. Sanchez-Sinencio "Using capacitive cross-coupling technique in RF low-noise amplifiers and down-conversion mixer design", in the proceedings of the 26<sup>th</sup> *European Solid-State Circuits Conference, 2000. ESSCIRC '00*, pp. 77-80, Sweden, 2000
- [62] Xiang Guan, A. Hajimiri, "A 24GHz CMOS front-end", in the proceeding of the 28<sup>th</sup> *European Solid-State Circuits Conference 2002, ESSCIRC 2002*, pp.155-158, 2002
- [63] M. Nilsson, S. Mattisson, N. Klemmer, P. Andreani, T. Tired et al, "A 9 band WCDMA/EDGE transceiver supporting HSPA evolution", in the proceedings of *2011 IEEE International Solid-State Circuits Conference (ISSCC)*, ISBN: 978-1-61284-303-2, pp. 366-368, San Francisco, Feb., 2011
- [70] P. Andreani, H. Sjöland, "Noise optimization of an inductively degenerated CMOS low noise amplifier", *IEEE Transactions on Circuits and Systems II: Analog and Digital Signal Processing*, vol. 48, no. 9, pp. 835-841, Sep 2001
- [71] T-K. Nguyen, C-H. Kim, G-J. Ihm, M-S. Yang, S-G. Lee, "CMOS Low-Noise Amplifier Design Optimization Techniques", *IEEE Transactions on Microwave Theory and Techniques*, vol. 52, no. 5, pp. 1433-1442, May 2004

- [72] D. J. Allstot, X. Li and S. Shekhar, "Design considerations for CMOS low-noise amplifiers", in the proceedings of *IEEE Radio-Frequency Integrated Circuits (RFIC) Symposium*, 2004, ISBN: 0-7803-8333-8, pp. 97-100, June 2004
- [73] S. Shekhar, J. S. Walling, "Bandwidth Extension Techniques for CMOS Amplifiers", *IEEE Journal of Solid-State Circuits*, vol. 41, no. 11, pp. 2424-2439, Nov 2006
- [74] D. K. Shaeffer, T. H. Lee, "A 1.5-V, 1.5-GHz CMOS Low Noise Amplifier", *IEEE Journal of Solid-State Circuits*, vol. 32, no. 5, pp. 745-759, May 1997
- [75] Y. Cheng, et al., "High-frequency small-signal ac and noise modeling of MOSFETs for RF IC design", *IEEE Transactions on Electron Devices*, vol. 49; no. 3, pp. 400-408, March 2002.
- [76] S. C. Blaakmer, E. A. M. Klumperink, D. M. W. Leenaerts, B. Nauta, "Wideband Balun-LNA with Simultaneous Output-Balancing, Noise-Canceling and Distortion Canceling", *IEEE Journal of Solid-State Circuits*, vol. 43, no. 6, pp. 1341-1350, June 2008
- [77] W-H Chen, G. Liu, B. Zdravko, A. M. Niknejad, "A Highly Linear Broadband CMOS LNA Employing Noise and Distortion Cancellation", *IEEE Journal of Solid-state Circuits*, vol.43, no. 5, pp. 1164-1176, May 2008
- [78] K. Fong, R. G. Meyer, "Monolithic RF Active Mixer Design," *IEEE Transactions on Circuits and Systems-II*, vol. 46, no. 3, pp. 231-239, March 1999,
- [79] A. Pärssinen et al, "A 2-GHz Wide-Band Direct Conversion Receiver for WCDMA Applications", *IEEE Journal of Solid-State Circuits*, vol. 34, no. 12, pp. 1893-1903, Dec. 1999
- [80] K. Kivekäs, A. Pärssinen, K. Halonen, "Characterization of IIP2 and DC-Offsets in Transconductance Mixers," *IEEE Transactions on Circuits and Systems-II*, vol. 48, no. 11, pp. 1028-1038, Nov 2001,
- [81] L. Sheng, L. E. Larsson, "An Si-SiGe BiCMOS Direct-Conversion Mixer with Second-Order and Third-Order Nonlinearity Cancellation for WCDMA Applications", *IEEE Transactions on Microwave Theory and Techniques*, vol. 51, no. 11, pp. 2211-2220, Nov 2003
- [82] N. A. Moseley, Z. Ru, E. A. M Klumperink, B. Nauta "A 400-to-900 MHz Receiver with Dual-domain Harmonic Rejection Exploiting Adaptive Interference Cancellation", in the proceedings of *IEEE International Solid-State Circuits Conference. ISCC 2009- Digest of Technical Papers*, ISBN 978-1-42244-3458-9, pp 232-233, Feb. 2009

- [83] M. Voltti, T. Koivisto, E. Tiiliharju, "Statistical performance of IIP2 in active and passive mixers", in the proceedings of *Research in Microelectronics and Electronics*, 2008. PRIME 2008. Ph.D, ISBN 978-1-4244-1983-8, pp. 161-164, Istanbul, 2008
- [84] H. Darabi, A. Abidi, "Noise in RF-CMOS Mixers: A Simple Physical Model", *IEEE Transactions on Solid State Circuits*, vol. 35, no.1, pp. 15-25, Jan. 2000
- [85] Massimo Brandolini, Paolo Rossi, Davide Sanzogni, Francesco Svelto, "A +78dBm IIP2 CMOS Direct Downconversion Mixer for Fully Integrated UMTS Receivers", *IEEE Journal of Solid-State Circuits*, vol. 41, no. 3, pp. 552-559, March 2006.
- [86] M. T. Terrovitis, R. G. Meyer, "Noise in Current-Commutating CMOS Mixers", *IEEE Journal of Solid-State Circuits*, vol. 34, no. 6, pp. 772-783, June 1999
- [87] A. Mirzaei *et al*, "Analysis and optimization of direct-conversion receivers with 25% duty-cycle current-driven passive mixers", *IEEE Transactions on Circuits and Systems I, Reg. Papers*, vol. 57, no. 9, pp. 2353-2366, 2010
- [88] A. Mirzaei, H. Darabi, "Analysis of Imperfections on Performance of 4-Phase Passive-Mixer-Based High-Q Bandpass Filters in SAW-Less Receivers", *IEEE Transactions on Circuits and Systems-I: Regular papers*, vol. 58, no. 5, pp. 879-992, May 2011
- [89] S. Cherazi, A. Mirzaei, A. A. Abidi, "Second-Order Intermodulation in Current-Commutating Passive FET Mixers", *IEEE Transaction on Circuits and Systems-I: Regular papers*, vol. 56, no. 12, pp. 2556-2568, Dec. 2009
- [90] A. Mirzaei *et al*, Analysis and Optimization of current-driven passive mixers in narrowband direct-conversion receivers", *IEEE Journal of Solid-State Circuits*, vol. 44, no. 10, pp. 2678-2688, Oct. 2009
- [91] T-H Kim, J. Keane, C. Kim, "Utilizing Reverse Short Channel Effect for Optimal Subthreshold Circuit Design", in the proceedings of the *2006 International Symposium on Low Power Electronics and Design, 2006. ISPLED '06*, ISBN 1-59593-462-6, pp. 127-130, Oct. 2006
- [92] A. Mirzaei, J. Leete, X. Chen, H. Darabi, "A frequency translation technique for SAW-less 3G receivers", in the proceedings of *2009 Symposium on VLSI*, June 2009, ISBN 978-1-4244-3307-0, pp. 280-281, June 2009



- [93] A. Mirzaei, H. Darabi, A. Yazdi, Z. Zhou, P. Suri, "A 65 nm CMOS quad-band SAW-less receiver SoC for GSM/GPRS/EDGE", *IEEE Journal of Solid-State Circuits*, vol. 46, no. 4, pp 950-964, April 2011
- [94] A. Mirzaei, A. Yazdi, E. Chang, P. Suri, H. Darabi "A 65 nm CMOS quad-band SAW-less receiver for GSM/GPRS/EDGE", in the proceedings of *2010 IEEE Symposium on VLSI Circuits (VLSIC)*, June 2010, ISBN 978-1-4244-5454-9, pp. 179-180, June 2010
- [95] A. Mirzaei, H. Darabi, "Reconfigurable RF Front-Ends for Cellular receivers", in the proceedings of *2010 IEEE Compound Semiconductor Integrated Symposium (CSICS)*, ISBN, 978-1-4244-7437-0, pp 1-4, Oct 2010
- [96] M. Mikhemar, H. Darabi, A. Abidi, "An On-Chip Wideband and Low-Loss Duplexer for 3G/4G CMOS Radios", in the proceedings of *2010 IEEE Symposium on VLSI Circuits (VLSIC)*, ISBN 978-1-4244-5454-9, pp. 129-130 June 2010
- [97] M. C. M. Soer *et al.*, "A 0.2-to-2.0 GHz 65 nm CMOS receiver without LNA achieving  $>11$  dBm IIP3 and  $<6.5$  dB NF", in the proceedings of *IEEE International Solid-State Circuits Conference, ISSCC 2009*, ISBN 978-1-4244-3458-9, pp. 222–223, Feb. 2009.
- [98] C. Andrews *et al.*, "A passive-mixer-first receiver with baseband-controlled RF impedance matching,  $<<6$  dB NF, and  $>>27$  dBm wideband IIP3", in the proceedings of *IEEE International Solid-State Circuits Conference, ISSCC 2010*, ISBN 978-1-4244-6033-5, pp. 46-47, Feb. 2010
- [99] S. Ayazian, R. Gharpurey, "Feedforward interference cancellation in radio receiver front-ends", *IEEE Transactions on Circuits and Systems II, Express Briefs*, vol. 54, no 10, pp. 902-906, Oct. 2007
- [100] R. Gharpurey, S. Ayazian, "Feedforward interference cancellation in narrow-band receivers", in the proceedings of *2006 IEEE Dallas/CAS Workshop on Design, Applications, Integration and. Software*", ISBN 1-4244-0670-6, pp. 67-70, Oct. 2006

## **Part II**

### **Included papers**

# Summary of included papers

## Paper I

Paper I covers the design of a low noise multiband single ended LNA and single ended active mixer in BiCMOS technology. Simulation results are provided for band I, III and VIII. The mixer transconductance stage has been designed as a programmable current-to-current feedback amplifier with suppression of the 3<sup>rd</sup> harmonic of  $f_{LO}$ . The mixer is divided in two parts, one main mixer and one trim mixer. A feedback loop has been designed around the trim mixer that suppresses both mixer DC-offset as well as second order distortion from TX cross modulation of the LO leakage. The low frequency noise from the feedback loop is suppressed by the partition into a main and trim mixer. In Monte Carlo simulations the novel design achieves +47dBm minimum  $IIP_2$  in band I with 32dB conversion voltage gain. This is sufficient for a WCDMA system. The design requires two external filter capacitors that are preferably placed inside the package.

## Paper II

Paper II presents the design of a multiband single ended LNA and balun in CMOS technology. The LNA is a common-source stage with inductive degeneration with on-chip programmable matching. The design achieves 28dB voltage gain with 1.8dB noise figure and covers band I, II and III. Programmable switches preceding the LNA are presented that achieve both low insertion loss and high isolation for the TX signal. The combination of a narrow band input matching and a balun is shown to have sufficient selectivity for a 5.8 GHz WI-Fi transmit signal in the terminal. The noise figure is degraded by the Q-value of the on-chip inductor. For band I frequencies the Q-value equals 15. The performance of the design would be significantly enhanced in an SOI process with high-Q inductors. The band coverage could be extended to include bands below 1GHz as well. This would require a switchable on-chip inductor though.

# Paper I

## Paper I

# **A BiCMOS single ended multiband RF-amplifier and mixer with DC-offset and second order distortion suppression**

### **Abstract**

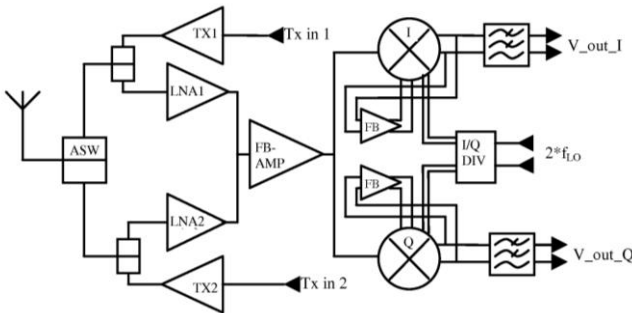
Direct conversion receivers are widely used for full duplex mobile radio communication systems. This paper describes a novel SAW-less single-ended RF amplifier connected to a single-ended mixer with a feedback loop that suppresses the second-order distortion from TX cross modulation of the LO-leakage as well as DC-offset at the mixer output. In Monte Carlo simulations the design achieves +47 dBm minimum IIP<sub>2</sub> with 32dB conversion voltage gain. The advantage with the proposed architecture is that it is fully single-ended. Especially in multiband integrated radios this is highly desirable since the pin-count for the LNAs is reduced by half. The PCB routing of the RF input signal is simplified. The design requires two off-chip filter capacitors of non critical value intended to be placed on the laminate inside the package.

## I. INTRODUCTION

Conventional WCDMA LNA and mixer architectures are differential and an external SAW filter is required between the LNA and mixer [1]-[3] if the receiver linearity is too low. The purpose of the SAW filter is to attenuate the TX-signal that leaks into the LNA through the finite isolation of the duplexer. The duplexer typically provides some 50-55dB isolation from TX to RX, but if the linearity is not high enough a SAW filter is needed to prevent the TX-leakage from deteriorating the receiver performance. The receiver is degraded through intermodulation generated by second- and third order distortion. There are several possible combinations of integrated single-ended/differential LNA and mixers that could be used in high linearity direct conversion architecture.

- Differential LNA and differential mixer: The drawback is the additional package pin for the LNA. A multiband circuit will need a larger package.
- Single ended LNA and differential mixer: The drawback is the large on-chip balun between the LNA and mixer to create a differential RF signal for the mixer. If several baluns are needed in a multiband solution the area penalty is increased
- Single ended LNA and single ended mixer.

In a fully single ended solution there is no need for an on-chip balun. The architecture presented in this paper is depicted in figure 1 describing a solution with multiple LNAs supporting different frequency bands. The LNAs are preceded by duplexers separating the RX and TX signals.



**Fig.1. Architecture of the presented SAW-less single ended LNA and mixer architecture**

The single ended mixer has a feedback loop that suppresses both  $IM_2$  and DC-offset. Single ended mixers have the drawback compared to differential mixers that they do not suppress noise from the LO-driver. To compensate for this architectural difference the presented RF amplifier has a built-in attenuation of noise at harmonics to the LO-frequency since the gain of the RF amplifier preceding the mixer has a very steep roll-off. All mixers downconvert noise from odd harmonics to  $f_{LO}$ . Reducing the contribution to the mixer noise figure from the

higher harmonics significantly lowers the noise figure of the mixer. The paper is organized as follows: Section two gives an overview of second- and third order distortion mechanisms. Section three gives a brief description of earlier presented solutions, i.e. trimming of the mixer load and L-C filters at the mixer input. Section four gives a detailed description of the presented architecture. Section five presents the simulated performance and section six describes the conclusions.

## II. THIRD AND SECOND ORDER DISTORTION IN WCDMA RECEIVERS

### A. Third order distortion

A third order intermodulation product will be generated in the LNA and in the switching mixer core. For WCDMA the worst intermodulation case is when an interferer is present at half the duplex distance between the RX and TX frequency. The third order nonlinearity of the LNA and mixer will create an intermodulation product at the RX frequency originating from the TX-leakage into the LNA with power  $P_1$  and the interferer at half the duplex distance with power  $P_2$ . With the third order intercept point denoted as  $IIP_3$  the following applies [4] for the third order intermodulation product  $P_{i\_IM3}$  calculated back to the LNA input.

$$P_{i\_IM3}(dBm) = 2P_2(dBm) + P_1(dBm) - 2IIP_3(dBm) \quad (1)$$

### B. Second order distortion

Two interferers at  $f_1$  and  $f_2$  inserted into an LNA and mixer with a second order nonlinearity will generate an intermodulation product at their difference frequency  $f_1-f_2$  [5]. This intermodulation product will fall directly into the wanted downconverted baseband frequency band if the interferers are close to each other. In a WCDMA receiver the worst-case interferer for the mixer second order nonlinearity is the TX signal that leaks into the receive path through the finite TX-RX isolation of the duplexer.

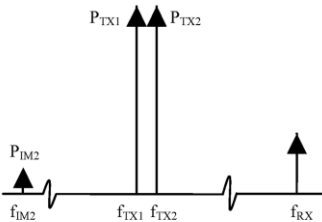


Fig.2. Second order distortion with AM-modulated TX-leakage

The TX-signal is a WCDMA digitally modulated interferer containing AM- and FM modulation. The AM-modulation can be represented by a two-tone interferer

with two close frequencies at  $f_{TX1}$  and  $f_{TX2}$  as depicted in fig. 2. The second order nonlinearity of the mixer will translate a squared version of the envelope of the TX-signal to the receiver mixer output. The receiver  $IM_2$  level due to TX-leakage is tested in a 3GPP standard test case that specifies the minimum required sensitivity for while the transmitted signal is at maximum power level (+24dBm) at the antenna. With the second order intercept point denoted as  $IIP_2$  and if each of the two input tones has the power  $P_T$  the following applies [5] for the second order intermodulation product  $P_{i\_IM2\_}(f_1-f_2)$  calculated back to the LNA input.

$$P_{i\_IM2\_}(f_1-f_2) = 2P_T - IIP_2 \quad (2)$$

There are three mechanisms that generate second order distortion in a zero-IF receiver.

1) *RF self-mixing*

The RF signal can leak to the LO signal in the mixer through parasitic coupling in the mixer core switching devices [6]. If the LO-amplitude is not high enough the mixer behaves more like a linear multiplier [7] and consequently the mixer output will contain a signal that is proportional to the square of the input signal i.e. an  $IM_2$  product. If the RF signal is the TX-leakage with AM-modulation a low baseband frequency  $IM_2$  product will be generated through self-mixing in the switching mixer core transistors. However, if the LO-amplitude is high enough this effect is significantly reduced.

2) *Second order nonlinearity in the mixer transconductance stage*

The transconductance transistors that generate the RF-current that is supplied to the mixer core switching transistors have a second order nonlinearity. An AM-modulated interferer, represented by two frequencies  $f_1$  and  $f_2$  will generate a low frequency second order intermodulation product at  $f_1-f_2$  that is added to the wanted output current from the transconductance transistor. If the mixer is perfectly balanced, i.e. there is no mismatch in the switching core transistors, the mixer load resistor or in the LO driver block, the low frequency intermodulation product at  $f_1-f_2$  will cancel at the differential mixer output [8]. In reality mismatch always exists in these components resulting in that this intermodulation product leaks to the mixer output.

3) *Cross modulation of the LO-leakage*

The AM-modulation of the TX-leakage interferer at the mixer core RF input will transfer to the LO-leakage at the mixer RF input through the cross modulation mechanism [2], [4], [9]-[13]. Downconversion of this AM -modulated LO-leakage with the LO-signal itself will generate a mixer output signal at the  $IM_2$ -frequency. Compared to the  $IM_2$  products generated by self-mixing and second order nonlinearity in the mixer transconductance stage the cross modulation product is a differential signal i.e. the phase of the  $IM_2$  cross modulation product at the two mixer outputs differ by 180 degrees. If the input signal to the LNA and mixer,  $x(t)$ ,



is the sum of the LO-leakage at the fundamental frequency,  $x_1(t)$ , and the AM-modulated TX-leakage  $x_2(t)$  the following applies [4]

$$x(t) = A_1 \cos(\omega t) + A_2 [1 + m(t)] \cos(\omega_{TX} t) \quad (3)$$

where  $m(t)$  is the amplitude modulation of the TX signal.

Considering up to third order nonlinearities in the LNA and mixer the output signal  $y(t)$  can be written as

$$y(t) = a_1 x(t) + a_2 x^2(t) + a_3 x^3(t) \quad (4)$$

Inserting (3) into (4) and expanding the expression will give

$$y_{crossmod}(t) = \frac{3}{2} a_3 A_1 A_2^2 (1 + m(t))^2 \cos(\omega t) \quad (5)$$

The LO-leakage at frequency  $\omega_1$  is modulated by the square of the TX-leakage.

Referring (5) to the input by dividing by the gain  $a_1$  and inserting  $IP_3 = \sqrt{\frac{4a_1}{3a_3}}$  gives the cross modulation term at the input.

$$x_{crossmod}(t) = \frac{y_{crossmod}(t)}{a_1} = \frac{A_1 2A_2^2 ((1 + m(t))^2)}{IP_3^2} \cos(\omega t) \quad (6)$$

Converting (6) to log-scale gives at the input [2]

$$P_{i\_crossmod} = 6 + P_1(dBm) + 2(P_2(dBm) - IP_3(dBm)) \quad (7)$$

The cross modulation term at LO-frequency  $\omega_1$  is linear proportional to the LO-leakage and to the square of the TX-leakage. The total LO-leakage is the sum of the LO-leakage at the fundamental tone and the leakage at the harmonics. The LO-leakage at the harmonics is also cross modulated and second order products will be generated from downconversion by the LO-square wave harmonics at  $(2n+1)f_{LO}$ .

### III. PREVIOUS IP2 ENHANCEMENT TECHNIQUES

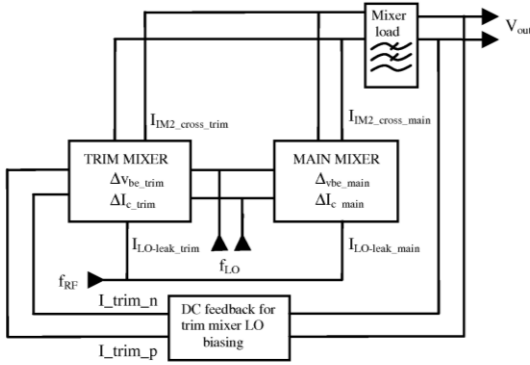
A large number of publications have been made regarding second order distortion and various means to counteract it. In [14] a solution with trimming of the mixer load resistor is presented. Each of the measured samples needed individual trimming though. The mixer DC-offset is not minimized after the trimming. In [15] an improvement for a previously published IP2 calibration method for a Gilbert cell type mixer is introduced. In the previous solution the IP2 was degraded as a function of the baseband frequency when a mixer with RC load was used. The improved solution maintains a high IIP2 over the entire baseband

frequencies in a WCDMA receiver by also trimming the mixer load capacitors. However, in order to implement the solutions in [14] and [15] an optimum trimming code has to be detected. For the code detection test tones have to be inserted into the receiver. In [16] a theoretical mismatch analysis is given for second order distortion in both single ended and double balanced bipolar mixers. Both mismatches in the load resistors and in the switching core are considered. Tunable RC load effects on  $IM_2$  are analyzed in [17]. A high IP2 mixer design in  $0.18\mu\text{m}$  CMOS (1.8V supply) is presented in [18]. The idea in this paper is to filter out the modulated fundamental LO-frequency in the switching pair source terminal with a LC-filter, i.e. the parasitic capacitors at the switching pair common sources are tuned out. The Q of the inductor is 10 at 2.15GHz, i.e. a large die area is occupied especially since one inductor is required in each mixer. Good measurement results are presented but for a differential implementation. The design does not have any DC-cancellation and it is not multiband. In [19] the solution in [18] has been improved in a 90nm process with a common mode feedback loop from the mixer output. The supply voltage is only 750mV and the  $IM_2$ -performance is still very good. A technique for canceling  $IM_2$  in the transconductance stage of an active mixer is presented in [20]. A digital technique for tuning of the mixer core is provided in [21]. A digital adaptive calibration method without test tones is presented in [22]. In [1] a double balanced Gilbert mixer is presented using pseudorandom test signal mixer inputs for generation of optimum mixer biasing for  $IP_2$  suppression. A digital self-calibration engine most suited for passive mixers using a test tone is described in [23].

#### **IV. DETAILED DESCRIPTION OF THE ARCHITECTURE**

##### ***A. Top-level architecture of the design***

The paper describes a method to increase the second order linearity of a single ended LNA and a single ended mixer. The architecture of the design is depicted in figure 1. Single ended LNAs generate an RF-current to the single ended multiband feedback RF-amplifier. The compression point of the RF-amplifier and mixer is high enough that the TX-leakage signal into the LNA does not drive the receiver into compression. The four outputs from the I- and Q mixer are connected to the mixer feedback blocks that operate on the differential offset at the single ended mixer output as depicted in figure 3 describing the mixer with feedback.



**Fig.3. Block diagram of the single ended mixer with IM<sub>2</sub>-suppression**

The mixer consists of a main mixer together with a trim mixer. A mismatch in  $V_{be}$  of the main mixer will result in a differential DC voltage at the mixer output. Inside the feedback block the mixer signal is low pass filtered and DC feedback currents  $I_{trim\_n}$  and  $I_{trim\_p}$  are created that control the base voltages of the trim mixer in order to counteract the DC-offset as well as the LO-leakage at the rf input node. The second order distortion product from the trim mixer due to cross modulation is in opposite phase compared to the main mixer product resulting in a suppression of IM<sub>2</sub> at the mixer output. The mixer with feedback requires off-chip capacitors for low-pass filtering in the feedback loop. The low pass characteristic of the feedback will result in a high pass characteristic of the mixer output. The high pass cut-off frequency of the mixer conversion gain should be as low as possible not to cause increased bit-error rate. The requirements on IIP<sub>2</sub> and IIP<sub>3</sub> are the hardest when the mobile is transmitting at full TX-power. When the transmitter output power is low, the IM<sub>2</sub> products generated are very much reduced since they are proportional to the square of the TX output power. By utilizing that the output power of the PA is known to the mobile, the mixer feedback loop can then be disabled and the high pass characteristic removed.

### ***B. Multiband programmable current-to-current feedback amplifier***

The receiver consists of multiple LNA's supplying RF-signal to a multiband feedback RF amplifier and feedback mixer. The supported WCDMA frequency bands are given in table 1.

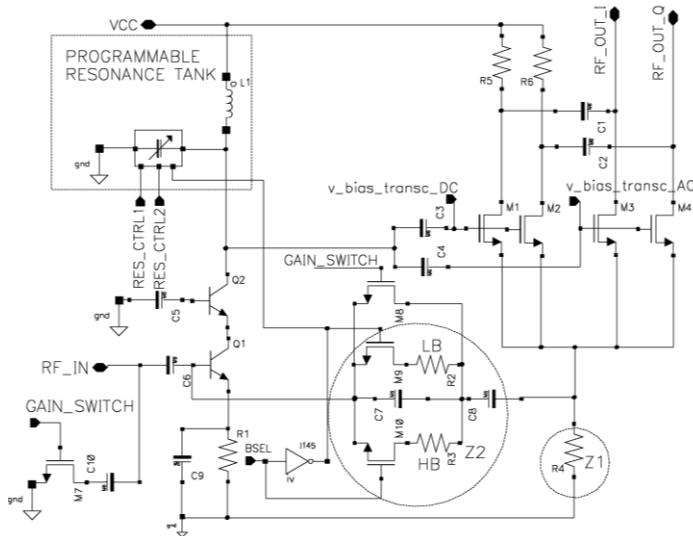
Band	Receive frequency [MHz]	Transmit frequency [MHz]	Duplex distance [MHz]
I	2110-2170	1920-1980	190
II	1930-1990	1850-1910	80
III	1805-1880	1710-1785	95
V	869-894	824-849	45
VI	875-885	830-840	45
VIII	925-960	880-915	45

**Tab. 1 Receive and transmit frequencies for the multiband WCDMA receiver**

The multiband feedback RF amplifier is depicted in figure 4. The design is based on a two-stage current-to-current amplifier with programmable band dependent feedback. Under the condition that the open loop gain is high the current gain of the feedback current-to-current amplifier is given by [24]

$$A_i = -(1 + \frac{Z_2}{Z_1}) \quad (8)$$

The impedance  $Z_2$  is frequency dependent and is changed when the receiver is programmed for low- or high band operation by activating the NMOS switches  $M10$  or  $M9$ . The shaping of the frequency response of the feedback loop is crucial for the overall performance of the amplifier and mixer.



**Fig.4. Multiband programmable current-to-current feedback RF amplifier**

The current gain of the amplifier is given by

$$A_i = \frac{I_{RF\_OUT\_I} + I_{RF\_OUT\_Q}}{I_{RF\_IN}} \quad (9)$$

The output signal from LNA (node RF\_IN) is connected to the base of the bipolar device  $Q1$ . The collector current of the input device equals 3.7mA. The emitter of  $Q1$  is connected through the resistor  $R1$  to ground for bias stability purposes. Since it is desired to have a low input impedance to the amplifier a capacitor is connected across the resistor thereby creating a low impedance from the emitter of  $Q1$  for RF frequencies. The cascode is needed to increase the loop gain of the amplifier. The loopgain of the feedback amplifier is defined as

$$LG = \frac{I_{RF\_IN}}{I_{B,Q1}} \quad (10)$$

The “error current” in the feedback system is equal to the base current,  $I_B$  of input transistor  $Q1$ .

With the LC-tank is possible to achieve a higher loop gain compared to what would have been possible if the tank had been replaced with a purely resistive load since there is no DC-drop. The third order linearity is thereby improved [25]. The collector of  $Q2$  is connected to the programmable resonance tank consisting of an on-chip inductor, a fixed capacitor and three switched capacitors. The resonance frequency of the tank is programmable to maximize the loop gain for the selected band. Low or high band operation is controlled with the BSEL signal.

The output from the resonance tank is AC-coupled to the gates of the NMOS-devices  $M1$  and  $M2$  and also AC-coupled to the NMOS devices  $M3$  and  $M4$ . When active these devices are biased with 3.13mA each. Depending on whether the output to the mixer core should be DC- or AC-coupled, either devices  $M3$  and  $M4$  or  $M1$  and  $M2$  are turned on. For a certain TX power level a control signal should be sent to the RF amplifier that disables the NMOS devices that are AC-coupled to the output. The devices that are DC-coupled to the output are then enabled. This is the current save mode of the architecture. The DC-current in the output NMOS is reused as the mixer tail current. The feedback signal is connected from the source terminals to the base of the input bipolar device through an AC-coupling. An interferer containing AM-modulation will generate a low frequency  $IM_2$ -tone in the transconductance NMOS. In the AC-coupled mode the  $IM_2$ -tone is prevented from reaching the mixer core by the AC-coupling of the output.

The mixer will downconvert noise from the amplifier not only at the LO-frequency but also at odd harmonics of the LO-frequency. The Fourier series of the square wave LO-signal contains only odd harmonics i.e. frequencies  $f_{LO}$ ,  $3f_{LO}$ ,  $5f_{LO}$ ...  $(2n+1)f_{LO}$ . The contribution to the total noise figure from the higher harmonics is significant, especially from the  $3f_{LO}$  frequency. To reduce the noise figure of the amplifier and mixer it is important to reduce the mixer down conversion of noise at higher harmonics. The resonance tank is tuned to the LO-frequency. Far out from the LO-frequency, i.e. for higher harmonics the resonance circuit will act as a shortcut to signal ground. The output noise will be heavily

attenuated. Closer to the resonance frequency, typically for the third harmonic of the LO-frequency the amplifier still has a high open loop gain and the frequency response is determined by the feedback net. The outlined feedback net with a band dependent pole in the impedance  $Z_2$  defined by the capacitor and either low band (marked LB) or high band resistors (marked HB) solves this issue. The LC-tank also improves the blocking performance of the feedback amplifier and mixer. For frequencies close to the wanted signal for which the loopgain  $A\beta$  is large the two-stage amplifier will behave as a regular feedback current amplifier. For frequencies far away from the resonance frequency the open loop gain of the amplifier vanishes and any possible interferer will be short circuited to VCC.

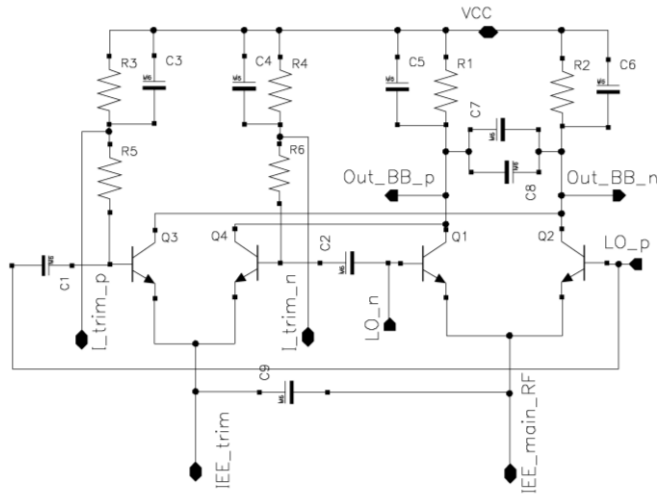
The maximum power of the WCDMA wanted signal is  $-25\text{dBm}$ . In order not to compress the mixer feedback loop with the wanted signal a gain switch is required in the RF amplifier. The switch is implemented with an NMOS device across the feedback net plus an NMOS in series with a capacitor connected to node *RFIN*. The gain of the RF feedback amplifier is reduced to 0dB and the gain is further reduced by shunting the RF input signal to ground

### ***C. The LNA***

The LNAs are standard bipolar cascode designs with inductive degeneration matched to a  $50\Omega$  port. In band I and III the current consumption is 4.3mA while it is 4.9mA in band VIII. The degeneration inductors are 650pH in band I, 850pH in band III and 3nH in band VIII.

### ***D. The single balanced mixer switching core***

The switching mixer core consists of a main mixer (*Q1 and Q2*) that is DC-coupled to the LO-driver and a trim mixer (*Q3 and Q4*) that is AC-coupled with capacitors *C1 and C2* to the LO-driver. Connected together as depicted in figure 5 these two mixers form a mismatch compensated mixer.



**Fig.5. Switching mixer core**

The two mixer cores share the same collector load. The load consists of the resistors  $R1$  and  $R2$  together with the capacitors  $C5$ ,  $C6$ ,  $C7$  and  $C8$ . Capacitors  $C5$  and  $C6$  filter common mode signals while  $C7$  and  $C8$  filter differential signals. The WCDMA TX- signal that leaks into the receiver LNA through the finite isolation of the duplexer will be downconverted to an IF-frequency by the RX LO-signal. When transmitting at high power this TX-leakage signal is a strong interferer that the receiver must be able to handle without compressing. The filter at the mixer output will attenuate the IF-frequency so that the mixer feedback loop does not compress even while transmitting at maximum power. The base bias voltages of the trim mixer are determined by the output currents from the feedback loop, connected at nodes  $I_{trim\_p}$  and  $I_{trim\_n}$ , in resistors  $R3$  and  $R4$ . The feedback loop will regulate these two currents so that the DC-offset at the mixer output becomes 0V, i.e.  $V_{Out\_BB\_p} = V_{Out\_bb\_n}$ . The capacitors  $C3$  and  $C4$  attenuate the LO voltage swing at the output of the feedback loop. Without these capacitors unwanted modulation of the output current from the feedback circuit would occur. The resistors  $R5$  and  $R6$  isolate the LO-signal from the signal ground generated by capacitors  $C3$  and  $C4$ . The input signal to the feedback loop is mixer output voltages  $V_{Out\_BB\_p}$  and  $V_{Out\_bb\_n}$ . The RF signal from the current-to-current feedback amplifier is connected in node  $I_{EE\_main\_RF}$ . In order to have different DC tail currents in the main- and trim mixer the RF signal must be AC-coupled with capacitor  $C9$  from node  $I_{EE\_main\_RF}$  to node  $I_{EE\_trim}$ . For optimal operation the ratio of the tail currents  $I_{DC\_main}$  and  $I_{DC\_trim}$  is typically around 10. In the presented results the tail current in the main and trim mixer equals 3.3mA and 0.26mA respectively.

The mixer is not capable of suppressing any low frequency  $IM_2$ -signals originating from the current-to-current amplifier. The RF input signal to the trim mixer is AC coupled to the RF input of the main mixer. For the case of DC-coupling of the

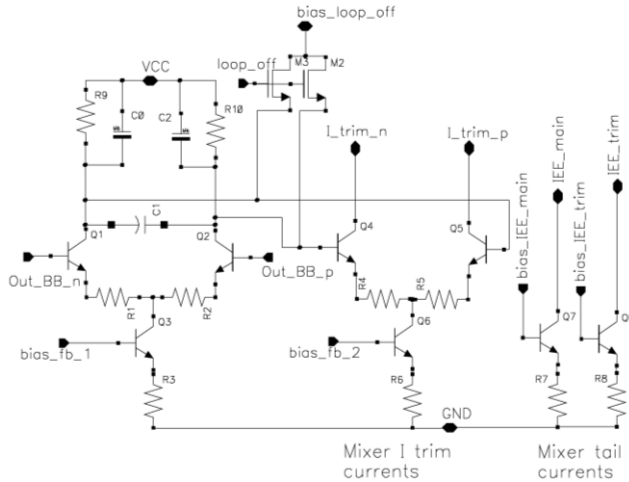
output from the current-to-current amplifier a low frequency  $IM_2$ -signal from this stage reaches the main mixer but not the trim mixer. If mismatch is present in the main mixer the mixer feedback loop will compensate this by offsetting the trim mixer but the feed through of the  $IM_2$ -component through the main mixer will still be the same.

For high  $IM_2$  suppression it is important that all component mismatches besides mismatch in the mixer core switching devices is minimized by up scaling of the device sizes as well as careful layout. If the mixer load resistors  $R1$  and  $R2$  are mismatched the feedback loop will also try to compensate the DC-offset generated by this mismatch. However, the loop will then create a DC-offset between the bases in the trim mixer. This will then generate a poor  $IM_2$  performance in the compensated mixer core due to  $V_{be}$  mismatch but there will still also be an  $IM_2$ -component originating from the load resistor mismatch. It is not possible to reduce the total  $IM_2$ -distortion by compensating resistor load mismatch with  $V_{be}$  mismatch in the mixer core. Due to switching speed requirements scaling up the active devices in the mixer core is only possible to some amount. The two devices in the trim mixer core,  $Q3$  and  $Q4$ , can also be mismatched. In the case of mismatch in this part the feedback loop will also compensate the DC-voltage at the mixer output originating from this mismatch.

### *E. The mixer feedback loop*

The feedback loop is acting on the DC-offset at the mixer output. There are two identical filters, one for the I-channel mixer and one for the Q-channel mixer. The filter is a two-stage design with the first stage acting as a low pass filter and the second stage operating as a transconductance that generates the feedback current to the trim mixer. Figure 6 outlines the filter architecture. The outputs from the mixer are connected to  $Q1$  and  $Q2$ . The low pass filter has both common-mode filtering with capacitors  $C0$  and  $C2$  and differential mode filtering by capacitor  $C1$ . The cut-off frequency is set by the external differential capacitor  $C1$ . In order to minimize the required size of  $C1$  the resistive load is large.





**Fig.6. Mixer feedback loop**

To handle the DC voltage drop across the load without forward biasing the base-collector junction of  $Q1$  and  $Q2$ , the tail current of the stage is low ( $20\mu\text{A}$ ). The stage is degenerated with resistors  $R1$  and  $R2$  to increase the compression point. The degeneration resistors  $R4$  and  $R5$  in the second stage have two purposes. They increase the input impedance to the second stage as well as they increase the compression point. If the input impedance to the second stage is too low the filter cut-off frequency is set by this impedance instead of the high resistive load of the first stage. The second stage tail current equals  $300\mu\text{A}$ . The feedback loop is dimensioned to be able to handle a certain level of mismatch in the main mixer core without running into compression. Both the low pass filter stage and the transconductance stage are heavily degenerated with resistors in order to increase the compression point. The feedback loop is only active for low frequencies i.e. DC plus a few kilohertz. The performance of the feedback mixer is sensitive to mismatch in the loop devices since this will create a mixer DC-offset that the feedback loop will counteract by offsetting the trim mixer. Since the bandwidth of the feedback loop should be as low as possible there is no penalty for increased capacitance due to upscaling of the devices in the loop to improve the matching. The loop is disabled by shorting the second stage input to a bias voltage. The pole frequency defined by capacitor  $C1$  and resistors  $R9$  and  $R10$  must be designed low enough that resistor process spread does not increase the cut-off frequency above a value that can be tolerated. The biasing of the loop should be designed for temperature stability of the of the loop output currents  $I_{trim\_n}$ ,  $I_{trim\_p}$ ,  $I_{EE\_main}$  and  $I_{EE\_trim}$ . Supply voltage variations do not impact the loop performance.

### F. The resulting LO-leakage

LO-leakage at node  $I_{EE\_main\_RF}$  together with an AM-modulated interferer, i.e. a WCDMA TX-signal will generate a second order signal in the mixer due to cross modulation. The downconverted AM-modulated LO-leakage generates a baseband frequency at the AM-modulation frequency.

If the device mismatch in the main mixer (or in the trim mixer) increases, the LO-leakage in node  $I_{EE\_main\_RF}$  will also increase if not compensated by the mixer feedback loop. The capability of the loop to reduce the LO-leakage as well as the  $IM_2$  product can be evaluated by inserting a voltage source as  $V_{be}$  mismatch between the emitter of the mixer core device  $Q1$  and node  $I_{EE\_main\_RF}$ . The mismatch will cause a DC-current imbalance as well as a LO-leakage imbalance between  $Q1$  and  $Q2$ . The differential LO-signals  $LO_p$  and  $LO_n$  no longer cancel each other in node  $I_{EE\_main\_RF}$ . The DC-current mismatch will create a DC-voltage offset at the mixer output that the feedback loop will counteract by changing the feedback currents  $I_{trim\_n}$  and  $I_{trim\_p}$  and offsetting the trim mixer. If the LO-leakage signal from the trim mixer is added to the LO-leakage from the main mixer in node  $I_{EE\_main\_RF}$  the level of the summed LO-leakage is strongly attenuated. The benefit of the feedback is illustrated in figure 7 illustrating the difference in LO-leakage level in node  $I_{EE\_main\_RF}$  of the I-mixer versus  $V_{be}$  mismatch (x-axis variable  $emi\_missm$ ) between the mixer with feedback and with the feedback disabled.

When for a comparing simulation the feedback loop was disabled, the load of the first stage in the feedback path was shorted. The simulation was made with the SpectreRF PSS tool. The LO-frequency was 2200MHz and the interferer frequency was 2000MHz, i.e. the fundamental frequency  $f_{PSS\_fmd}$  was 200MHz.

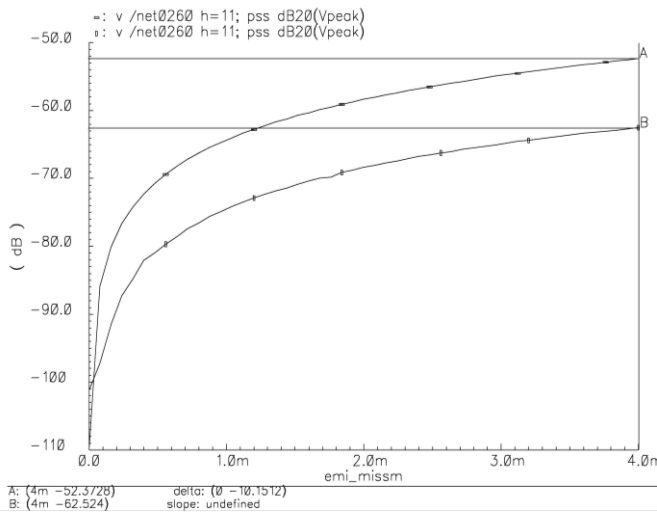


Fig.7. LO-leakage in  $dBV_p$  in node  $I_{tail\_main\_RF\_in}$  versus  $V_{be}$  mismatch with and without feedback

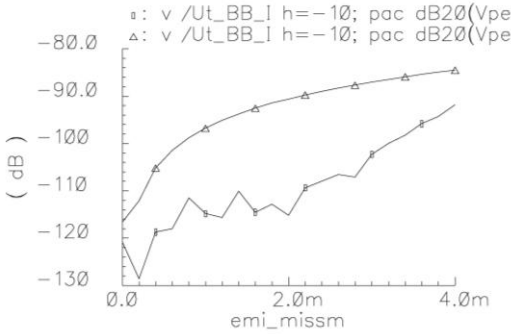
The 11: th harmonic of the fundamental frequency equals the LO frequency. The attenuation of the LO-leakage is 10dB with the mixer loop turned on. With the loop off the  $f_{LO}$ -leakage current at node  $I_{EE\_main\_RF}$  is  $5\mu A_{rms}$  for 4mV  $V_{be}$  mismatch. The loop will attenuate the leakage at frequencies  $(2n+1)f_{LO}$  as well.

### G. $IM_2$ distortion from cross modulation

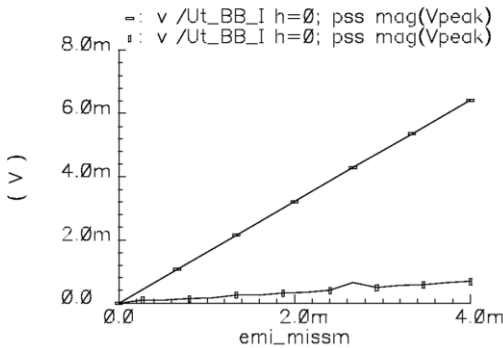
The AM-modulation of the TX-interferer will be transferred on to the LO-leakage at the input of the main- as well as the trim mixer through cross modulation. In linear scale the  $IM_2$  cross modulation component is proportional to  $V_{LO\_leak} / IP_3^2$  where  $V_{LO\_leak}$  is the LO-leakage level at the mixer input. In case of mismatch in the main mixer, like less DC-current in the left main mixer device, the phase of the LO-leakage will be  $\theta$  degrees at the input of the main mixer. Since the trim mixer will counteract the DC-offset generated by the main mixer the right device of the trim mixer will have a higher DC-current. The LO-leakage at the input of the trim mixer will therefore be at the phase  $\theta+180$  degrees. The generated  $IM_{2\_cross}$  collector currents from the main- and trim mixer will therefore counteract each other. The  $IM_2$  level and DC-offset at the I-mixer differential output versus main mixer  $V_{be}$  mismatch (x-axis variable  $emi\_missm$ ) with and without feedback are shown in figure 8 and 9 respectively. The simulation setup is identical to the setup for figure 7. The AM-modulated TX-interferer is represented by one interferer at 2000MHz (PSS-frequency) and another at 2000 MHz + 30 kHz (pac-frequency). Harmonic  $-10$  equals the  $IM_2$  product according to

$$f_{IM2} = f_{pac} - k \cdot f_{PSS-fund} \quad (11)$$

The input power of both signals was  $-33dBm$  at the LNA input. The suppression of  $IM_2$  product as well as DC offset is working as intended. The  $IM_2$  level improvement is varying with the main mixer  $V_{be}$  mismatch. Smaller variations are due to simulator accuracy. The improvement is reduced for very high offset voltages. Since the tail current in the trim mixer is 10 times smaller compared to the main mixer tail current a larger relative change in the trim mixer collector currents is required to compensate for a mismatch in the trim mixer. This will cause the  $IIP_3$  of the trim mixer devices to be different and an  $IM_{2\_cross}$  current is generated that is not optimal for cancellation. The trim mixer tail current and device sizes can be modified for tuning of the  $IM_2$ -suppression.



**Fig.8. Differential IM<sub>2</sub> level in dBVp at mixer I output versus V<sub>be</sub> mismatch with and without feedback**



**Fig.9. Differential DC-offset in mV at mixer I output versus V<sub>be</sub> mismatch with and without feedback**

### ***H. High pass characteristic of the mixer baseband output signal***

With the feedback loop on the mixer output will have a high pass characteristic, i.e. the conversion gain for RF-frequencies very close to the LO-signal is reduced compared to the gain for RF-frequencies further away from the LO-signal. This is undesired since a WCDMA signal includes low frequency modulation. The reason for this is that the cut-off frequency for the low pass filter in the feedback loop is not infinitely low. Due to the finite rise- and fall time of the trim mixer there is a certain feed through of low frequency signals from the base to the collector of the mixer trim devices. The collector signal current originating from low-frequency feed through will add in opposite phase to the baseband current created from down conversion of the RF-signal in the main- and trim mixer. A smaller tail current in the trim mixer results in less feed through. For a given pole location in the mixer feedback loop the high pass cut-off frequency is lowered for a smaller tail current of the trim mixer. A solution based on only the trim mixer and no main mixer would require a significantly larger low pass filter capacitor. The required filter capacitor is intended to be placed off-chip, preferably on a laminate inside the package not to increase the pin-count. The required pole location for maintained bit error rate, BER, depends on the modulation scheme of the received signal.

WCDMA modulation with QPSK-modulation can tolerate a pole at 7 kHz while WCDMA with 16-QAM modulation, i.e. HSDPA, requires a pole location lower than 1 kHz. The loop gain of the feedback mixer will vary with the baseband frequency. The loop gain at baseband frequency  $f$  will be the difference between the maximum conversion gain and the conversion gain at frequency  $f$  ( $f < f_{\max}$ ). For frequencies higher than the cut-off frequency of the low pass filter the loop gain approaches 0dB.

### ***I. Trim mixer and RF feedback amplifier AC-coupling shut down modes***

When the mobile is transmitting at a low power  $\ll +24\text{dBm}$  the requirement on the mixer  $IP_2$  is very much relaxed. The baseband frequency response of the mixer can be made flat from DC to the cut-off frequency defined by the mixer pole by shutting down the trim mixer. Shutdown is implemented by turning off the bias to the first stage in the feedback loop. The input to the second stage is instead biased with switches connected to a voltage source as illustrated in figure 6. Since there is no need for low second order distortion the AC-coupling of the feedback RF amplifier transconductance stage should be turned off as well to save current. With the mixer loop on and DC-coupled RF amplifier to save current the mixer DC offset is maintained low.

### ***J. Suppression of noise from the feedback loop with the trim mixer***

The trim mixer has its base terminal AC-coupled to the base terminal of the main mixer. The emitter of the trim mixer is also AC-coupled to the emitter of the main mixer. The output signal from the mixer feedback is connected to the base of the trim mixer. The architecture has the big advantage that no low frequency noise from the feedback loop can reach the bases of the main mixer. The trim mixer though has a certain feed through of low frequency noise from the feedback loop but since the tail current of the trim mixer is only a fraction of the tail current in the main mixer the contribution from the feedback loop noise to the overall noise figure is very much reduced.

### ***K. The LO-driver***

The LO-signal to the mixer is provided through a standard IQ-divider circuit generating clock signal with 50% duty cycle. It is important to provide the mixer with a LO-signal with short rise- and fall time otherwise the  $IM_2$ -performance will degrade.

## V. SIMULATED PERFORMANCE

### A. Specifications and calculations

The design was made for a system specified to have 32dB voltage gain from the 50Ω LNA input to the differential output of the mixer. The half-duplex IIP<sub>3</sub> of the LNA and mixer should be at least -9dBm. The IIP<sub>2</sub> for a two-tone TX-interferer should be at least +47dBm. The maximum TX-output level at the antenna is +24dBm. The corresponding output power from the PA is +26dBm assuming 2dB loss. The duplexer was assumed to have 52dB isolation from TX to RX resulting in +26-52= -26dBm TX power at the LNA input. For the simulations an input power of P<sub>T</sub> = -33dBm was selected because the compression point of the mixer is at least -23dBm. When simulating the IM<sub>2</sub> product with SpectreRF PSS and PAC the small signal pac signal must be at least 10dB below the compression point for the results to have good accuracy. If the input signal P<sub>T</sub> = -33dBm and IIP<sub>2</sub> equals +47dBm then the IM<sub>2</sub> level at the input of the LNA is at -113dBm using (2). In a 50Ω-system this corresponds to -126dBV<sub>rms</sub>.

At the mixer output the following applies with the conversion voltage gain equal to G<sub>v</sub>.

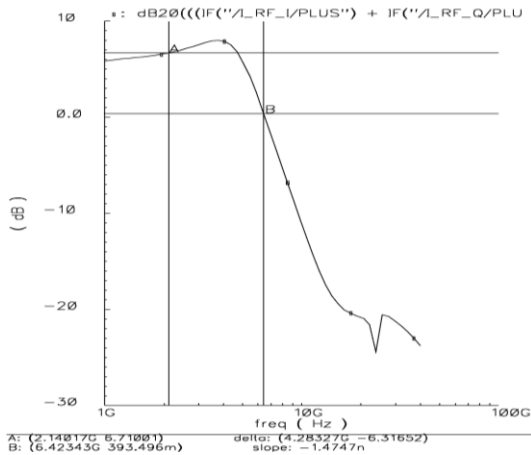
$$V_{mix\_out\_IM2_{(f_1-f_2)}} = P_{i\_IM2_{(f_1-f_2)}} - 13 + G_v \quad (12)$$

Using (12), the IM<sub>2</sub>-level at the differential mixer output is at -113 -13 +32 = -94dBV<sub>rms</sub> = -91dBV<sub>p</sub>. The cross modulation product is calculated using (7). Calculated back to the LNA input 5μA<sub>rms</sub> f<sub>LO</sub>-leakage current for 4mV mismatch at node I<sub>EE\_main\_RF</sub> with the feedback loop off corresponds to 34μV<sub>rms</sub>, i.e. -76dBm. The average TX-leakage power equals the sum of the TX interferer sideband powers of -33dBm, i.e.-30dBm. Using IIP<sub>3</sub>= -9dBm, (7) gives P<sub>i\_crossmod</sub> = -112dBm from cross modulation of the fundamental LO-leakage tone. Taking account for cross modulation of odd harmonics to f<sub>LO</sub> the total cross modulation power is even higher. Using (2) with only a second order nonlinearity accounted for, P<sub>i\_IM2</sub> equals -113dBm for a receiver with IIP<sub>2</sub>= +47dBm and two TX interferer sidebands at -33dBm. The maximum LNA input power of the half-duplex interferer is -46dBm. The largest IM<sub>3</sub> product is created when the TX-leakage is at its maximum i.e. -26dBm. Using (1) the IM<sub>3</sub> product at the differential mixer output then equals -78dBV<sub>p</sub> for IIP<sub>3</sub> = -9dBm.

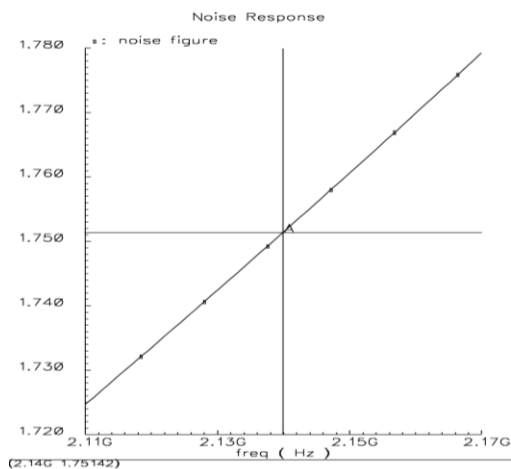
### B. Simulated performance of the LNA and feedback amplifier standalone

For evaluation of the LNA and RF feedback amplifier standalone the mixer load of the NMOS output transistors was replaced with 10-ohm resistors. The inductance was represented with an s-parameter model of a real on-chip inductor. The lumped model has L=8.4nH and R<sub>s</sub>=16Ω. Looking from the cascode device Q<sub>9</sub>, Q=8.5 in band I and 5.4 in band VIII. The current gain is defined as the sum of the NMOS drain current to the I- and Q-mixer divided by the amplifier input current. The

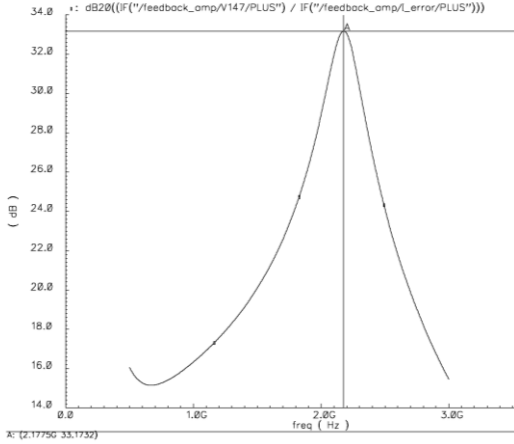
simulation setup and plots are presented for band I. The results for band III and band VIII are presented in table 2. From figure 10 the current gain in AC-coupled mode equals 6.7dB at 2140MHz. The attenuation to the third harmonic at 6.42GHz is 6.3dB. The noise figure at 2140MHz is 1.75dB. From figure 12 the Band I loop gain peaks with 33.2dB at 2.18GHz. The 1dB cross compression point was simulated with a PSS-analysis followed by a PAC-analysis with the RX-signal at fixed input power of -40dBm. The PSS-frequency is the TX-interferer at the duplex distance. The band I half duplex linearity of the amplifier output current was simulated for the center of the band, i.e. 2140MHz, using the SpectreRF PSS plus PAC tool. The TX-frequency was the PAC-signal and the half-duplex interferer was at the PSS-frequency.



**Fig.10. Band I feedback amplifier current gain in AC-coupled mode of the LNA plus feedback amplifier**



**Fig.11. Band I feedback amplifier noise figure in AC-coupled mode of the LNA plus feedback amplifier**



**Fig.12. Band I loopgain of the RF feedback amplifier**

The  $IM_3$ -level at the amplifier current output was back calculated to the LNA input using the transconductance of the LNA and feedback amplifier. The  $IIP_3$  was calculated using the relation (1). The in-band  $IIP_3$  was simulated with a PSS-frequency at 2140MHz and a PAC signal at 2141MHz. The performance of the RF feedback amplifier in band I, III and VIII is summarized in table 2.

Parameter	Band I	Band III	Band VIII
Current consumption [mA]	10	10	10
Transconductance of LNA and feedback amp.(I+Q) [mS]	280	306	284
Feedback amplifier current gain at band center [dB]	6.7	7.0	6.5
Attenuation of $3*f_{LO}$ in DC/AC-coupled mode	6.9/6.3	8.0/7.5	11.6/11.2
NF [dB]	1.75	1.69	1.98
Loopgain [dB]	34.3	32.8	29.5
Cross compression point for a TX interferer [dBm]	-22.1	-21.9	-23.1
Small signal in-band $IIP_3$ [dBm]	-6.9	-7.5	-8.5
Small signal half-duplex $IIP_3$ including ideal LNA [dBm]	-5.6	-6.0	-7.6
Large signal half-duplex $IIP_3$ including ideal LNA [dBm]	-5.8	-6.0	-7.8

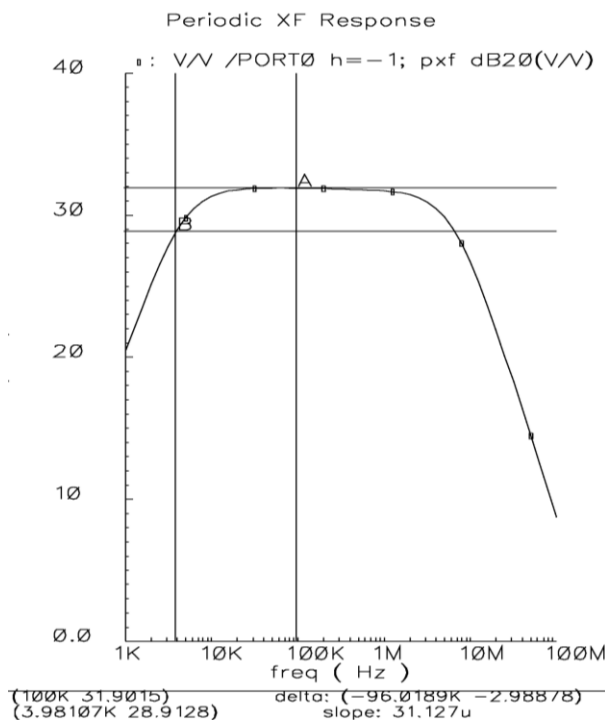
**Tab.2. Performance summary of the RF feedback amplifier**

### ***C. Simulated results for the RF feedback amplifier together with the feedback mixer***

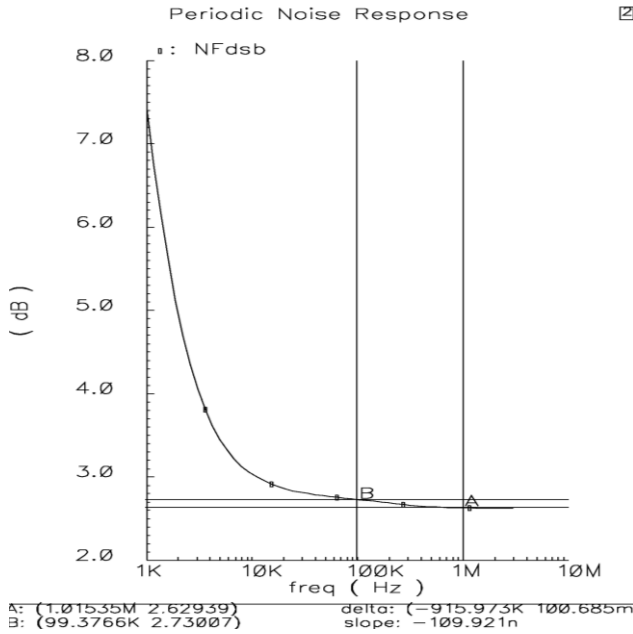
To shorten the time for the simulator to reach convergence, the pole in the mixer feedback is set higher than it should be in a real design. The size of the external capacitor is 6nF. All figures are simulation results for band I. The gain and noise figure depicted in figure 11 and 12 was simulated with a PSS-analysis plus PXF and PNOISE analysis. For the pnoise analysis 20 sidebands were accounted for. In



AC-coupled mode with the LO frequency at 2140MHz,  $NF_{DSB} = 2.6\text{dB}$  at 1MHz. The loop gain at a baseband frequency below the cut off frequency is the difference between the in band maximum gain and the gain at the baseband frequency. At DC the conversion gain is 12.4dB resulting in a loop gain of 19.5dB. The gain of the first stage in the feedback loop equals 10dB giving a gain of 9.5dB in the second stage of the loop. The mixer feedback loop stability is guaranteed by the both the low pass filter in the mixer feedback loop and the low pass filter at the mixer output. The feedback factor is negligible for frequencies above the mixer feedback loop cut-off frequency. For low frequencies where there is a significant loop gain the phase change of the feedback signal relative to DC is very small. For frequencies above the mixer output cut-off frequency the input signal to the loop is heavily attenuated.



**Fig.11. Band I gain in AC-coupled mode**

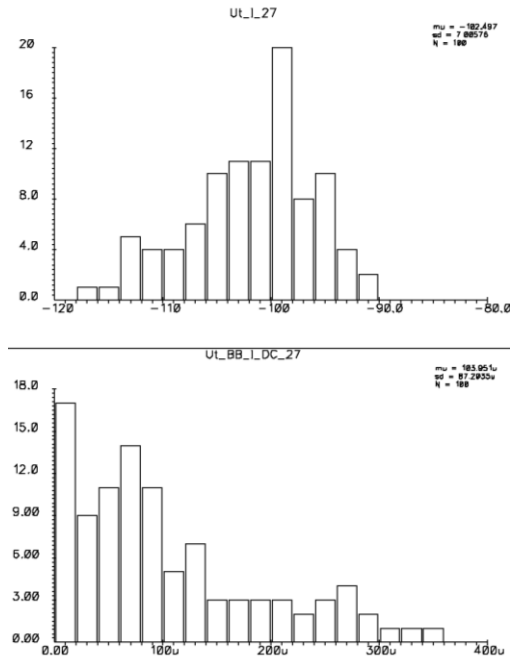


**Fig.12. Band I noise figure in AC-coupled mode**

The conversion gain equaled 31.9dB at 100 kHz with high pass  $BW_{3dB} = 4.0$  kHz and low pass  $BW_{3dB} = 6.5$ MHz. In the noise summary the largest contributions comes from the divider, the RF amplifier output stage and the main mixer tail current device. The  $NF_{DSB}$  increases below the cut-off frequency. This is due to feed through of unfiltered noise from the feedback loop through the trim mixer. In DC-coupled mode the noise figure at 1MHz is improved due to that the main mixer current generator is off. The mixer feedback loop does not affect the mixer noise figure for frequencies above the cut-off frequency of the low pass filter. For lower frequencies the main excess noise originates from the active devices and degeneration resistors in the first stage of the low pass filter together with the base current of the main mixer transistors.

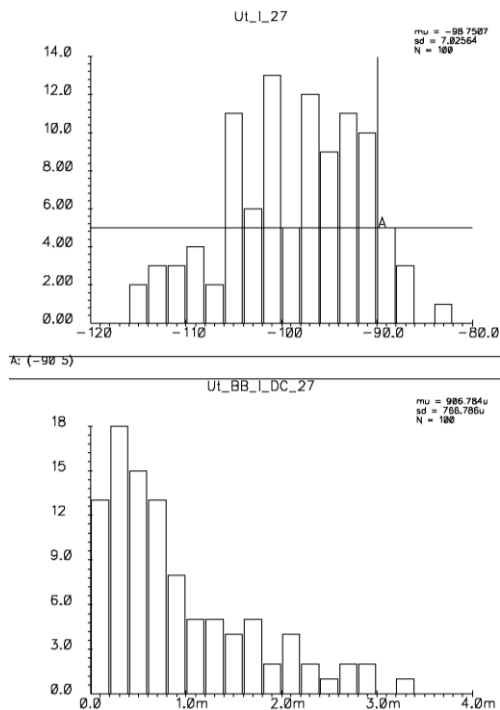
The second order distortion was simulated with a Monte Carlo analysis [26], [27] using a PSS +PAC analysis. With the Monte Carlo tool a random mismatch is applied to all devices in the design for each simulation run. The standard deviation of the mismatch distribution for each device type is determined by process data. 100 iterations were made with the mixer feedback loop both on and off to verify the effect of the loop. To be able to use the PSS-tool the duplex distance was set to 200MHz instead of 190MHz. With the PSS frequencies  $f_{LO} = 2200$ MHz,  $f_{TX1}=2000$ MHz and the PAC frequency  $f_{TX2} = 2000.03$ MHz the  $IM_2$  product is at 30 kHz. The input powers of  $f_{TX1}$  and  $f_{TX2}$  were at  $-33$ dBm each. With 32dB conversion gain the  $IM_2$  limit at the mixer output then is at  $-91$ dBV<sub>p</sub>. With the mixer feedback loop turned on the average  $IM_2$  level in the I-

and Q-channel is  $-102\text{dBV}_p$  and  $-100\text{dV}_p$  which corresponds to I-channel  $\text{IIP}_2 = +59\text{dBm}$  and Q-channel  $\text{IIP}_2 = +56\text{dBm}$ . The average DC-offset is  $104\mu\text{V}$  in the I-mixer and  $110\mu\text{V}$  in the Q-mixer. Histogram of the I-mixer  $\text{IM}_2$ -levels in  $\text{dBV}_p$  and DC-offset at the mixer outputs with the loop on are depicted in figure 13.



**Fig.13. Band I histogram of I-mixer  $\text{IM}_2$  in  $\text{dBV}_p$  and DC-offset at the differential mixer output versus iteration number with the mixer feedback loop on**

With the feedback loop turned off as depicted in figure 14 for the I-mixer more than 19 iterations fall outside  $-92\text{dBV}_p$ . The average DC-offset increases a factor 8. The worst sample with the loop off is at  $-84\text{dBV}_p$  corresponding to  $\text{IIP}_2 = +40\text{dBm}$ . Comparing the histograms, the turned-on loop results in a distribution peak around  $-100\text{dBV}_p$  while the turned-off loop results in more evenly distributed values with a large number of iterations close to the specification limit.



**Fig.14. Band I I-mixer  $IM_2$  and DC-offset in  $dBV_p$  at the differential mixer output versus iteration number with the mixer feedback loop off**

The in-band  $IIP_3$  for interferers close to  $f_{LO}$  with the mixer switching was simulated with a SpectreRF QPSS plus qpac analysis. The QPSS large frequency was equal to  $f_{LO}$  while the first interferer was the QPSS moderate signal. The second interferer was added during the qpac analysis.

The small signal half duplex  $IIP_3$  with the mixer switching was simulated with a QPSS +QPAC analysis with interferer powers at -40dBm. The QPSS moderate frequency was the half duplex interferer. With  $f_{TX}$  as the QPAC frequency an in-band  $IM_3$  product at the mixer output will be generated. With the  $IM_3$  level  $-79.3dBV_p$  at the mixer output the band I  $IIP_3$  equals  $-9.4dBm$  using relation (2). The large signal half duplex  $IIP_3$  was simulated using the input powers  $P_{TX} = -26dBm$  and  $P_{half-duplex} = -46dBm$ . The switching feedback mixer targeted for high  $IIP_2$  has an impact on the overall  $IIP_3$ . It is therefore important that the RF amplifier preceding the mixer has high enough third order linearity that the additional mixer nonlinearity can be accepted.

The cross compression was simulated with a QPSS +QPXF analysis with the TX signal as the QPSS moderate tone.

The performance summary for band I, III and VIII is provided in table 3.

Parameter	Band I	Band III	Band VIII
Supply voltage [V]	2.7	2.7	2.7
Current consumption in DC/AC-coupled mode [mA]	15.0/21.7	15.0/21.7	15.5/22.3
Voltage gain in DC/AC-coupled mode [dB]	32.0/31.9	32.4/32.3	32.1/32.0
NF <sub>DSB</sub> @1MHz in DC/AC-coupled mode [dB]	2.32/2.60	2.20/ 2.45	2.53/ 2.77
Avg/min IIP <sub>2</sub> in AC-coupled mode from 100 MC iterations [dBm]	+58/+47	+59/+45	+57/+47
Avg/max DC-offset in I-and Q mixer AC-coupled mode from 100 MC iterations [ $\mu$ V]	107/430	91/380	86/370
In-band IIP <sub>3</sub> [dBm]	-10.7	-10.9	-10.0
Small/large signal half-duplex IIP <sub>3</sub> [dBm]	-9.4/-9.4	-9.2/-9.3	-9.3/-9.3
Cross compression with a TX interferer [dBm]	>-23.0	>-23.0	>-23.5

**Tab.3. Performance summary for feedback mixer and amplifier**

## VI. CONCLUSIONS

The benefit of the presented architecture is that it provides a multiband single ended LNA and single ended mixer with high enough second- and third order linearity that it is functional in a WCDMA system without a SAW-filter. The DC-offset at the mixer output is strongly attenuated which is beneficial for the following stages, i.e. baseband filter and ADC. The attenuation of the DC-offset and the increase of the IP<sub>2</sub> were achieved by the described method to reduce the effect of the switching mixer core device mismatch using a feedback loop. The third order nonlinearity performance as well as the low noise figure was possible to achieve through the programmable RF feedback current-to-current amplifier preceding the mixer. The LNA is single ended which is especially beneficial for a multiband solution since only one package pin is required for each band. Since the programmable feedback RF amplifier is multiband only one low-Q on-chip inductor is needed. The required filter capacitor is preferably placed inside the package. The architecture was designed in a BiCMOS process but the described advantages could be applied to a CMOS only design as well.

## ACKNOWLEDGEMENT

The author would like to thank Prof. Pietro Andreani at Department of Electrical and Information Technology, Lund University for his valuable input concerning the editing of this paper.

## REFERENCES

- [1] L. Sheng, L. E. Larsson, "An Si-SiGe BiCMOS Direct-Conversion Mixer with Second-Order and Third-Order Nonlinearity Cancellation for WCDMA

- Applications”, *IEEE Transactions on Microwave Theory and Techniques*, vol. 51, no. 11, pp. 2211-2220, Nov 2003
- [2] N. Swanberg, J. Phelps, M. Recouly, “WCDMA cross modulation effects and implications for receiver linearity requirements”, in the proceedings of *Radio and Wireless Conference, 2002. RAWCON 2002. IEEE*, ISBN: 0-7803-7458-4, pp. 13-18, 2002
- [3] Q. Huang, J. Rogin, X. Chen, D. Tschopp, T. Burger, T. Christen, D. Papadopoulos, I. Kouchev, C. Martelli, T. Dellsperger,” A Tri-Band SAW-less WCDMA/HSPA RF CMOS Transceiver with On-Chip DC-DC Converter Connectable to Battery”, in the proceedings of *2010 IEEE International Solid-State Circuits Conference ( ISSCC)*, ISBN 0193-6530, pp. 60-61, San Francisco, 2010
- [4] Chris W. Liu, Morten Damgaard, Broadcom Corporation, “IP2 and IP3 Nonlinearity Specifications for 3G/WCDMA Receivers, *Microwave journal*, May 2009
- [5] Walid Y. Ali-Ahmad, “Effective IM2 estimation for two-tone and WCDMA modulated blockers in zero-IF, *Rfdesign*, April 2004
- [6] B. Razavi, “Design Considerations for Direct-Conversion Receivers,” *IEEE Transactions on Circuits and Systems—II: Analog and Digital Signal Processing*, vol.44, no. 6, pp. 428-435, June 1997
- [7] B. Gilbert, “Design considerations for active BJT mixers,” in *Low-Power HF Microelectronics; A Unified Approach*, G. Machado (Ed.), London, IEE, Ch. 23, 1996.
- [8] D. Coffing, E. Main, “Effects of offsets on bipolar integrated circuit even-order distortion terms,” *IEEE Transactions on Microwave Theory Tech.*, vol. 49, no. 1, pp. 23-30, Jan. 2001
- [9] Elahi, I. Muhammad, K. Balsara, P.T. ”IIP2 and DC Offsets in the Presence of Leakage at LO frequency”, *IEEE Transactions on Circuits and Systems II: Express Briefs*”, vol. 53, no. 8, pp. 647-651 Aug 2006
- [10] Elahi, I. Muhammad, K.R. ”Asymmetric DC offsets and IIP2 in the Presence of LO Leakage in a Wireless Receiver”, in the proceedings of *2007 IEEE Radio Frequency Integrated Circuits (RFASIC) Symposium*, ISBN 1-4244-0530-0, pp. 313-316, 2007
- [11] Elahi, I. Muhammad, K.R. ”IIP2 Calibration by Injecting DC offset at the Mixer in a Wireless Receiver”, *IEEE Transactions on Circuits and Systems II: Express Briefs*”, vol. 54, no. 12, pp. 1135-1139, Aug 2007
- [12] Belveze F, Baudin, P. “Specifying receiver IP2 and IP3 based on tolerance to modulated blockers”, *IEEE Transactions on Communications*, vol 56, no. 10, pp. 1677-1682, Oct 2008

- [13] Qizheng Gu, “*RF system design of transceivers for wireless communication*”, Springer, ISBN 0-387-24161-2, 2005
- [14] K. Kivekas, A. Parssinen, J. Ryyanen, J. Jussila, K. Halonen, ”Calibration Techniques of Active BiCMOS Mixers”, *IEEE Journal of Solid-State Circuits*, vol. 37, pp. 766-769, June 2002.
- [15] M. Hotti, J. Ryyanen, K. Kivekas, K. Halonen, ”AN IIP2 CALIBRATION TECHNIQUE FOR DIRECT CONVERSION RECEIVERS”, in the proceedings of *2004 International Symposium on Circuits and Systems, ISCAS 2004*, ISBN 0-7803-8251-X, vol. 4, pp 257-260, 2004
- [16] K. Kivekas, A. Parssinen, K. Halonen, ”Characterization of IIP2 and DC-Offsets in Transconductance Mixers”, *IEEE transactions on Circuits and Systems-II: Analog and Digital Signal Processing*, vol. 48, no. 11, pp. 1028-1038, Nov 2002.
- [17] Mikko Hotti, Jussi Ryyänen, Kari Halonen, “RC-load Analysis of the Downconversion Mixer IIP2” in the proceedings of *2005 European Conference on Circuit Theory and Design*, ISBN 0-7803-9066-0, vol. 1, pp. I/237-I/240, 2005
- [18] Massimo Brandolini, Paolo Rossi, Davide Sanzogni, Francesco Svelto, “A +78dBm IIP2 CMOS Direct Downconversion Mixer for Fully Integrated UMTS Receivers”, *IEEE Journal of Solid-State Circuits*, vol. 41, no. 3, pp. 552-559, March 2006.
- [19] Massimo Brandolini, Marco Sosio, Francesco Svelto, “A 750mV Fully Integrated Direct Conversion Receiver Front-End for GSM in 90-nm CMOS”, *IEEE Journal of Solid-State Circuits*, vol. 42, no. 6, pp. 1310-1317, June 2007
- [20] P. Sivonen, Ari Vilander, Aarno Pärssinen, ”Cancellation of Second-Order Intermodulation Distortion and Enhancement of IIP2 in Common-Source and Common-Emitter RF Transconductors” *IEEE Transactions on Circuits and Systems*”, vol. 52 no. 2, pp. 305-317, Feb 2005
- [21] S. Rodriguez, A.Rusu, L-R.Zheng, M.Ismail, “CMOS RF mixer with digitally enhanced IIP2”, *Electronics Letters*, vol. 44, no. 2, pp. 121-122, Jan. 2008
- [22] K. Dufrene, Z. Boos, R. Weigel, “Digital Adaptive IIP2 Calibration Scheme for CMOS Downconversion Mixers”, *IEEE Journal of Solid-State Circuits*, vol. 43, no. 11, pp. 2434-2445, Nov 2008
- [23] Y. Feng, G. Takemura, S. Kawaguchi, N. Itoh, P. Kinget, “A Low Power Low Noise Direct Conversion Front-End with Digitally Assisted IIP2 Background Self Calibration”, in the proceedings of *2010 IEEE International Solid-State Circuits Conference (ISSCC)*, ISBN 978-1-4244-6033-5, pp. 70-71, 2010
- [24] E. M Cherry, D. E. Hooper, “*Amplifying Devices and Low-Pass Amplifying design*”, Wiley, ISBN 978-0471153450, 1968

- [25] A. A. Abidi, "General relations between IP2, IP3, and offsets in differential circuits and the effects of feedback," *IEEE Transactions on Microwave Theory Tech.*, vol. 51, no. 5, pp. 1610-1612, May 2003.
- [26] Vahidfar, M.B. Shoaie, O. "A High IP2 Mixer Enhancement by a New Calibration Technique for Zero-IF Receivers", *IEEE Transactions on Circuits and Systems II: Express Briefs*, vol. 55, no. 3, pp. 219-223, March 2008
- [27] M. Voltti, T. Koivisto, E. Tiiliharju, "Statistical performance of IIP2 in active and passive mixers", in the proceedings of *Research in Microelectronics and Electronics*, 2008. PRIME 2008. Ph.D, pp. 161-164, ISBN 978-1-4244-1983-8, Istanbul, 2008



# Paper II

## Paper II

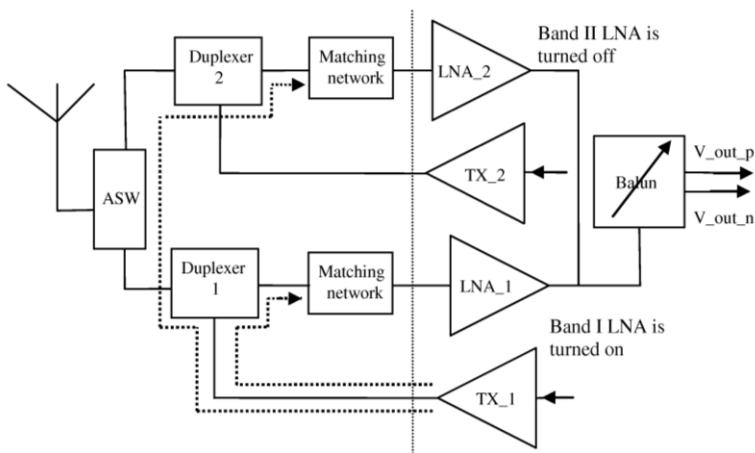
# Single-Ended Low Noise Multiband LNA with Programmable Integrated Matching and High Isolation Switches

### Abstract

This paper describes a novel 90nm single-ended multiband input LNA preceded by RF input switches connected to an on-chip balun intended to drive a differential mixer. The architecture achieves a low noise figure of 1.8dB. The advantage with the proposed architecture is that it is fully single-ended with on-chip programmable narrow-band matching eliminating the need of off-chip components. Especially in multiband integrated radios a single-ended LNA is highly desirable since the pin-count for the LNAs is reduced by half compared with a differential architecture. The PCB routing of the RF input signal is simplified. Narrow-band matching is advantageous compared to common broadband matching since this adds attenuation of out of band interferers and suppresses conversion of 3<sup>rd</sup> LO harmonic. This is important for the coexistence of cellular systems with e.g. WLAN 802.11a operating in the 5GHz band.

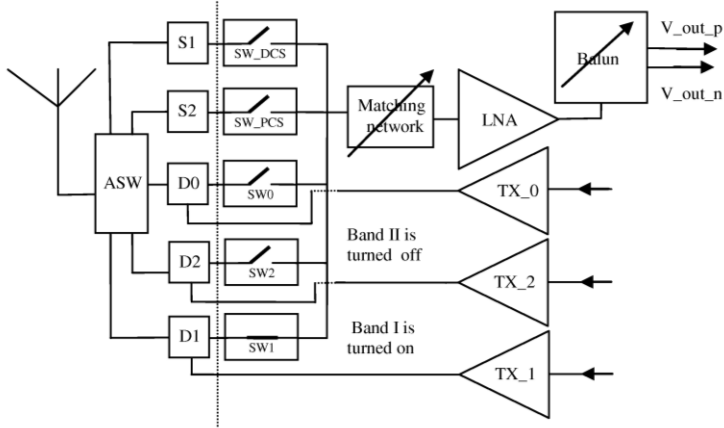
## I. INTRODUCTION

In a common multiband receiver as depicted in figure 1 there is one separate LNA for each frequency band plus one duplexer connected to each RF input required to attenuate the TX signal that leaks into the LNA. The duplexer typically provides some 50-55dB isolation from TX to RX. The TX leakage into the active LNA is also affected by the leakage through the non-active duplexers and LNAs. The receiver is degraded by the TX-leakage through intermodulation generated by second- and third order distortion.



**Fig.1. TX-leakage paths in a common multiband LNA**

The presented architecture depicted in figure 2 is based on only one single ended LNA with programmable on-chip input matching preceded by on-chip RF input switches. A tunable on-chip balun between the LNA and mixer creates a differential RF signal for the mixer. The differential mixer is advantageous regarding second order distortion. The presented input RF switches provide a combination of low on-resistance together with high isolation for TX-leakage while turned off. The multiband LNA is designed for WCDMA band I, II and III plus DCS and PCS EGSM.



**Fig.2. Architecture of the presented multiband single ended LNA**

## **II. TX-LEAKAGE RECEIVER DEGRADATION IN MULTIBAND WCDMA RECEIVERS**

### *A. Second and third order distortion due to TX leakage*

The TX-signal is a digitally modulated interferer containing AM- and FM modulation. The AM-modulation can be represented by a two-tone interferer. Two interferers at  $f_1$  and  $f_2$  inserted into an LNA and mixer with a second order nonlinearity will generate an intermodulation product at their difference frequency  $f_1-f_2$  [1] in the receive band. Second order distortion is generated through RF self-mixing of the AM-modulated TX-leakage in the mixer [2], second order nonlinearity in the mixer transconductance stage [3] and cross modulation [4], [5]. The third order nonlinearity of the LNA and mixer will create an intermodulation product at the RX frequency originating from the TX-leakage into the LNA with power  $P_2$  and an interferer at half the duplex distance with power  $P_1$ . The following applies [5] for the third order intermodulation product  $P_{i_{IM3}}$  at the LNA input.

$$P_{i_{IM3}}(dBm) = 2P_1(dBm) + P_2(dBm) - 2IIP_3(dBm) \quad (1)$$

### *B. TX-leakage paths in multiband LNAs*

For certain WCDMA frequency bands, e.g. band I there is an overlap between the RX and TX frequencies resulting in hard requirements on the isolation between the different LNA input ports.

- Band I RX: 2110-2170MHz, TX: 1920-1980MHz

- Band II RX: 1930-1990MHz, TX: 1850-1910MHz

When the receiver in figure 1 is configured for band I, LNA 1 is active and LNA 2 is turned off. At maximum output power the duplexer 1 input power is +26dBm. There is  $\approx 0$ dB attenuation in the duplexer 1 from the TX input to the antenna switch (ASW) input. The isolation in the antenna switch between duplexer1 and 2 is rather poor, i.e.  $\approx 20$ dB. Since the band 1 TX frequency overlaps the band II RX frequency there is no attenuation in duplexer 2 for this TX interferer. The TX power at the turned off band II LNA input is therefore equal to +6dBm. Assuming 52dB isolation in the duplexer, the TX power at the band 1 LNA originating from the duplexer isolation then equals -26dBm. A second TX leakage originates from the finite isolation between the LNA2 and LNA1 inputs. In order for this leakage to be 10dB less than the duplexer leakage the LNA input isolation must exceed 42dB.

Narrow band input matching together with a balun is advantageous for the issue of coexistence of cellular systems and WLAN. The upper part of the WLAN 802.11a band is at 5.8GHz [6]. The isolation [7] between the WLAN and cellular antenna is rather low, i.e.  $\approx 15$ dB. The cellular duplexer does not attenuate the 5.8GHz interferer more than 50dB. At maximum WLAN output power, i.e. +20dBm the cellular receiver sees an interferer of -45dBm @5.8GHz. If a wideband LNA is used and the RX mixer is driven by a square wave LO the only selectivity available is the -9.5dB from the third harmonic down conversion [8]. Down converted the WLAN interferer corresponds to a -54.5dBm in band interferer in band II and PCS @1933MHz. Narrow band input matching together with a balun as in the presented multiband LNA is capable of adding additional selectivity to attenuate the 5.8GHz interferer.

### III. DETAILED DESCRIPTION OF THE ARCHITECTURE

#### A. Packaging technology and grounding

The design is intended to be used with a WLP package [9] which is a package type with the die flipped upside down. With this package the smallest inductance from a die ground pad to the PCB ground is approximately 200pH. Each RF input switch depicted in figures 2 and 4 is associated with a dedicated ground connection *gnd\_switch\_n* where  $n=1\dots 5$ . The LNA has a dedicated separate ground *gnd\_chip* as illustrated in figure 3. The *gnd\_chip* ground is connected to the PCB ground through four parallel inductance traces.

#### B. Input impedance of the inductively degenerated LNA

The inductively source degenerated MOS LNA has the advantage that it creates a real part of the input impedance without adding a resistor [10].

$$Z_{in} = \frac{g_m}{C_{gs}} L_s + j(\omega L_s - \frac{1}{\omega C_{gs}}) \quad (2)$$

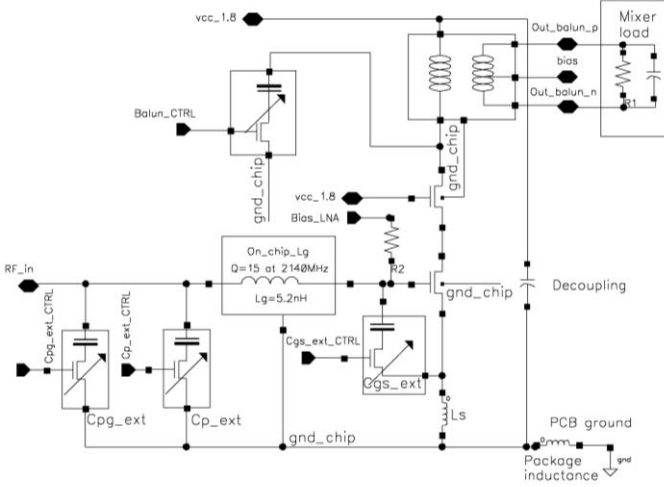
$C_{gs}$  is the parasitic gate-source capacitance of the LNA input device with transconductance  $g_m$ . The source inductor  $L_s$  improves the linearity through negative feedback. The inductor also introduces a real part to the input impedance used to match the LNA to the  $50\Omega$  source impedance,  $R_s$ . A series inductor  $L_g$  is connected in series with the gate to cancel out the reactive part of  $Z_{in}$ .

$$\omega(L_s + L_g) - \frac{1}{\omega C_{gs}} = 0 \quad (3)$$

### C. Multiband programmable LNA with reused on-chip series inductor

In the multiband LNA depicted in figure 3 the matching is adapted to the different frequency bands by changing both a capacitor connected between the source- and gate terminal of the LNA input device,  $C_{gs\_ext}$ , controlled by  $C_{gs\_ext\_CTRL}$  as well as a capacitor connected between the left side of the on-chip inductor and ground,  $C_{p\_ext}$ , controlled by  $C_{p\_ext\_CTRL}$ . The capacitor  $C_{pg\_ext}$  is used for the LNA gain switch. In the case of only the additional capacitor  $C_{gs\_ext}$  the LNA input impedance  $Z_{in\_Cgs\_ext}$  is given by

$$Z_{in\_Cgs\_ext} = \frac{g_m}{C_{gs} + C_{gs\_ext}} L_s + j\left(\omega L_s - \frac{1}{\omega(C_{gs} + C_{gs\_ext})}\right) \quad (4)$$



**Fig.3. Multiband programmable LNA including tunable balun**

With a fixed value of  $L_g$  and utilizing  $L_s \ll L_g$  cancellation of the reactive part of  $Z_{in}$  occurs at any frequency  $\omega$  depending on the additional gate-source capacitance  $C_{gs\_ext}$  given by

$$\omega^2 \approx \frac{1}{L_g (C_{gs} + C_{gs\_ext})} \quad (5)$$

For the imaginary part of  $Z_{in\_C_{gs\_ext}}$  increasing  $C_{gs}$  has the same effect as increasing  $L_g$ . As seen from (4) the real part of the input impedance is also changed when  $C_{gs\_ext}$  is varied. This change is undesired and is eliminated by changing the parallel capacitor  $C_{p\_ext}$  as well. With an additional capacitance to ground to the left of the on-chip series inductor  $L_g$ , the expression for the input matching becomes much more complex. The resulting capacitance is denoted  $C_p$  and is the sum of all capacitance to signal ground at this node, i.e. parasitic capacitance from ESD-diodes, RF input pad, RF-input switches plus the parallel band dependent tuning capacitor to ground  $C_{p\_ext}$ .  $C_{switch\_on}$  is the parasitic capacitance to ground of the turned-on switch connecting the LNA to the input port. The parasitic capacitances of the turned- off switches is denoted  $C_{switch\_off}$ .

$$C_p = \sum C_{ESD} + C_{pad} + C_{switch\_on} + C_{switch\_off} + C_{p\_ext} \quad (6)$$

The total input impedance  $Z_{in\_tot}$  is now equal to the parallel connection of  $C_p$  and the input impedance of the series connection of  $L_g$  and  $Z_{in\_C_{gs\_ext}}$ , i.e.  $Z_{in\_L_g}$  with  $C_t = C_{gs} + C_{gs\_ext}$  and  $L_t = L_g + L_s$ .

$$Z_{in\_tot} = \frac{\frac{1}{sC_p} Z_{in\_L_g}}{\frac{1}{sC_p} + Z_{in\_L_g}} = \frac{\frac{g_m L_s}{C_t} + sL_t + \frac{1}{sC_t}}{1 + sC_p \left( \frac{g_m L_s}{C_t} + sL_t + \frac{1}{sC_t} \right)} \quad (7)$$

The approximated real and imaginary part of the input impedance using typical design values for  $g_m$ ,  $L_s$ ,  $L_t$ ,  $C_t$  and  $C_p$  are given by

$$\text{Re}(Z_{in\_tot}) \approx \frac{g_m L_s C_p \left( 2 + \frac{C_t}{C_p} - g_m L_s \omega \right)}{(C_t + C_p)^2} \quad (8)$$

$$\text{Im}(Z_{in\_tot}) \approx \frac{\omega L_t C_t (C_t + 2C_p) - \frac{C_t + C_p}{\omega}}{(C_t + C_p)^2} \quad (9)$$

By selecting  $C_t$  and  $C_p$  i.e. tune the value of  $C_{gs\_ext}$  and  $C_{p\_ext}$  for different values of  $\omega$  the real part can be made equal to  $50\Omega$  and the imaginary part can be cancelled. When  $C_p$  approaches zero the real and imaginary input impedance will be equal to

$$\text{Re}(Z_{in\_tot}) \approx \frac{g_m L_s}{C_t} \quad (10)$$

$$\text{Im}(Z_{in\_tot}) \approx \omega L_t - \frac{1}{\omega C_t} \quad (11)$$

The on-chip inductor  $L_g$  of 5.2nH has a Q-value of 15 @ 2140MHz and is represented with an s-parameter model. The diameter equals 300 $\mu$ m. The source

degeneration inductor  $L_s$  equals 230pH with  $Q=12$  @ 2140MHz. The on-chip decoupling capacitor  $C_2$  defines the ground for the source degeneration inductor  $L_s$ . In the layout  $C_2$  should be connected exactly where  $L_s$  ends otherwise the inductance increases and the gain of the LNA is reduced. The NMOS switches have a low  $r_{on}$  since too large on-resistance in the switch will degrade the LNA noise figure. The voltage gain from the 50 ohm input port to the balun output,  $G_v$ , equals

$$G_v = G_{m\_tot} \cdot |Z_{in\_balun}| \cdot G_{v\_balun} \quad (12)$$

$G_{m\_tot}$  is the overall transconductance from the 50 $\Omega$  port to the output of the cascode.  $G_{v\_balun}$  is the voltage gain of the balun.  $Z_{in\_balun}$  is the impedance seen looking into the balun and tuning capacitor bank from the LNA cascode output. Between 1800Mz to 2200MHz the value of  $|Z_{in\_balun}|$  is approximately 50 $\Omega$ . The overall transconductance  $G_{m\_tot}$  is defined as

$$G_{m\_tot} = g_m \cdot Q = g_m \frac{v_{gs}}{v_{in}} \quad (13)$$

where  $v_{in}$  is the input voltage at the 50 $\Omega$  port,  $v_{gs}$  is the gate-source voltage and  $g_m$  is the transconductance of the LNA input device. At the matching resonance frequency  $v_{gs}$  will be  $Q$  times larger than the input voltage at the port. The duplexer is designed to see a 50 $\Omega$  input match across the received band in order to achieve the specified attenuation for the TX interferer. The input matching requirement must be fulfilled for process, supply voltage and temperature spread, therefore the bandwidth of the input matching is designed with a margin. The input NMOS was scaled with  $W=600\mu\text{m}$  and  $L=130\text{nm}$ .

The maximum power of the WCDMA wanted signal is -25dBm. In order not to compress the baseband filter after the mixer with the wanted signal a gain switch is required. The gain switch is implemented by reducing the drain current of the LNA. In order to keep the 50 $\Omega$  matching the parallel tuning capacitance to ground,  $C_{pg\_ext}$ , is increased. This implementation of the gain switch reduces the average current consumption of the receiver since the maximum LNA gain is only required for very weak signals. The LNA current while configured for *maximum* gain equals 14.9mA. When configured for maximum gain -6dB and maximum gain -12dB the current is reduced to 3.27mA and 1.32mA respectively.

#### D. Balun and frequency tuning function

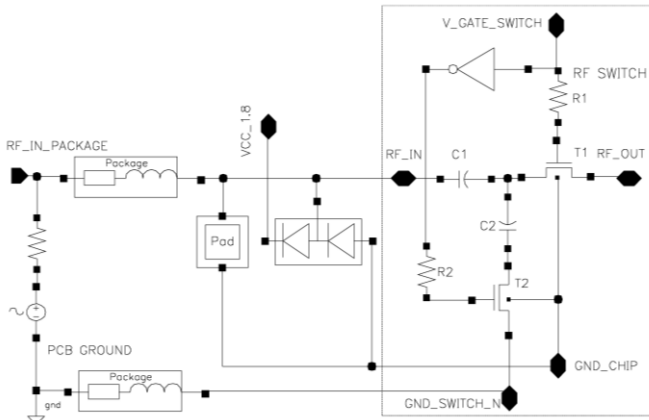
The cascode NMOS output is connected to the on-chip balun with a resonance tuning capacitance block at the primary side as depicted in figure 3 to maximize the voltage gain. The balun is implemented in layout and occupies an area of 270 $\mu\text{m}$  x 270 $\mu\text{m}$ . A five port plus substrate connection s-parameter model was extracted using the Momentum simulator. The output from the balun is intended to



be connected to a differential passive mixer. The switching mixer input impedance was simulated and is represented by a  $750\Omega$  resistor in parallel with a  $120\text{fF}$  capacitor. The centre tap connected to node *bias* at the secondary side is used to bias the passive mixer connected to nodes *Out\_balun\_p* and *Out\_balun\_n*. The resonance frequency is tuned by activating NMOS switches in series with capacitors.

### E. The RF input switch

The design of the RF input switch depicted in figure 4 is crucial for the performance of the presented multiband LNA. The switch has a very low on-resistance,  $r_{\text{on}} = 1.3\Omega$  and at the same time provides high isolation while turned off. If not addressed the switch will leak in the off-mode through its parasitic capacitances  $C_{\text{gs}}$ ,  $C_{\text{gd}}$  and  $C_{\text{ds}}$ . The switch is DC-coupled to the LNA. The effect of  $r_{\text{on}}$  on the NF of the LNA is identical to a series inductor with low Q-value. The gate-source capacitance,  $C_{\text{gs}}$  of the RF switch NMOS, T1, is very large,  $774\text{fF}$  due to the device size,  $W=700\mu\text{m}$  and  $L=200\text{nm}$ . The gate should have a high impedance bias to reduce the capacitive loading of  $C_{\text{gs}}$ . In the off-mode, i.e.  $V_{\text{GATE\_SWITCH}} = 0\text{V}$ , the TX interferer is shorted to the dedicated ground  $\text{GND\_SWITCH\_N}$  through the NMOS device T2 with  $r_{\text{on}} = 5\Omega$ . Using a dedicated ground for each switch improves the isolation since an interferer otherwise could be coupled to the single ended LNA ground.



**Fig.4. Programmable RF switch**

It is important not to introduce a large capacitance to signal ground since this will require an additional parallel inductor for a  $50\Omega$  matching.

## IV. SIMULATED PERFORMANCE

The performance of the multiband LNA in band I, II and III is summarized in table 1. The performance in DCS and PCS is identical to the band II and III performance.

Parameter	Band I	Band II	Band III
Supply voltage [V]	1.8/1.2	1.8/1.2	1.8/1.2
Current consumption in high/mid/low gain mode [mA]	14.9/3.27/1.32	14.9/3.27/1.32	14.9/3.27/1.32
Transconductance from 50Ω input port to cascode output in high/mid/low gain [mS]	231/120/60	198/106/57	180/101/54
Voltage gain at band center, high/mid/low [dB]	28.6/23.0/17.4	28.5/23.0/17.6	27.7/22.2/17.0
Δgain, high-mid [dB]	5.6	5.5	5.4
Δgain, high-low [dB]	11.2	10.9	10.7
Matching bandwidth for -12dB return loss, high/mid/low [MHz]	226/138/150	240/145/136	236/144/128
NF, high/mid/low [dB]	1.9/2.9/3.4	1.8/2.7/3.5	1.8/2.6/3.5
Isolation for TX frequency high/mid/low [dB]	42/42/42	43/43/43	-
Selectivity for 5.8GHz interferer with wanted signal at 1.933GHz, high/mid/low [dB]	-	63/68/71	-
Cross compression point for a TX interferer, high/mid/low [dBm]	-11/-11/-19	-10/-11/-20	-9.5/-12/-20
Cross compression point for an interferer at Δf=3MHz, high/mid/low [dBm]	-11/-11/-20	-11/-11/-20	-10/-12/-21
In-band IIP <sub>3</sub> , high/mid/low [dBm]	-5.0/-0.64/-9.7	-4.0/-0.68/-9.1	-1.4/-1.9/-8.9
Half-duplex IIP <sub>3</sub> , high/mid/low [dBm]	2.0/-0.9/-8.4	1.2/-1.3/-8.7	1.9/-1.9/-8.8

**Tab.1. Performance summary of the multiband LNA**

The intermodulation simulations were made using the Cadence Spectre RF tool. The isolation was simulated as the difference in balun output voltage when the same AC signal is applied to either the turned on LNA (band I) or the turned off LNA (band II). The high voltage gain of approximately 28dB is achieved through the voltage gain of the balun. The noise figure of 1.9dB (band I) is dominated by the rather low Q-value of the integrated inductor. With an ideal inductor the noise figure equals 0.83dB. The matching is maintained when the gain switch is active by increasing the shunt capacitance using  $C_{pg\_CTRL}$ . The duplexer was assumed to have 52dB isolation from TX to RX resulting in +26-52= -26dBm TX power at the LNA input. The TX cross compression point is at least -20dBm. For the EGSM bands DCS 1800 and PCS 1900 the receiver must have a cross compression point of -23dBm for a blocker at 3MHz from the received signal. This is achieved with

margin even in the low gain mode. A high selectivity for the WLAN interferer at 5.8GHz is achieved by the combination of narrow band input matching and integrated balun.

## V. CONCLUSIONS

The benefit of the presented architecture is that it provides a multiband single ended LNA with integrated programmable matching thereby reusing the integrated matching inductor. The need for discrete matching components on the PCB is eliminated. A single ended design is advantageous since it reduces the number of package pins. High isolation between the different RF inputs is guaranteed by the presented implementation of the RF switches. When the signal strength of the RX signal is large the current consumption of the LNA can be significantly reduced by activating the gain switch. The noise figure could be improved by increasing the Q-value of the series inductor. This requires a larger area though.

## REFERENCES

- [1] Walid Y. Ali-Ahmad, "Effective IM2 estimation for two-tone and WCDMA modulated blockers in zero-IF, *Rfdesign*, April 2004
- [2] B. Razavi, "Design Considerations for Direct-Conversion Receivers," *IEEE Transactions on Circuits and Systems—II: Analog and Digital Signal Processing*, vol.44, no. 6, pp. 428-435, June 1997
- [3] D. Coffing, E. Main, "Effects of offsets on bipolar integrated circuit even-order distortion terms," *IEEE Transactions on Microwave Theory Tech.*, vol. 49, no. 1, pp. 23-30, Jan. 2001
- [4] N. Swanberg, J. Phelps, M. Recouly, "WCDMA cross modulation effects and implications for receiver linearity requirements", in the proceedings of *Radio and Wireless Conference, 2002. RAWCON 2002. IEEE*, ISBN: 0-7803-7458-4, pp. 13-18, 2002
- [5] Chris W. Liu, Morten Damgaard, Broadcom Corporation, "IP2 and IP3 Nonlinearity Specifications for 3G/WCDMA Receivers, *Microwave journal*, May 2009
- [6] Masoud Zargari et al. "A Single-chip Dual-Band Tri-Mode CMOS Transceiver for IEEE 802.11a/b/g Wireless LAN", *IEEE Journal of Solid-State Circuits*, vol. 39, no. 12, pp. 2239-2249, Dec 2004
- [7], S. Rowson, "Optimizing performance when Integrating Multiple Antennas", *Antenna Systems &Technology*, pp. 18-19, 2006

- [8] E. Klumperink, R. Shrestha, E. Mensink, G. Wienk, Z. Ru, B. Nauta, “Multipath Polyphase Circuits and their Application to RF Transceivers”, in the proceedings of *IEEE International Symposium on Circuits and Systems, ISCAS 2007*, ISBN 1-4244-0920-9, pp. 273-276, 2007
- [9] Xuejun Fan, Qiang Han, “Design and reliability in Wafer level packaging”, in the proceedings of *IEEE 10<sup>th</sup> electronics packaging conference, EPTC 2008*, ISBN 978-1-4244-2117-6, pp. 834-841, 2008
- [10] D. K. Shaeffer, T. H. Lee, “A 1.5-V, 1.5-GHz CMOS Low Noise Amplifier”, *IEEE Journal of Solid-State Circuits*, vol. 32, no. 5, pp. 745-759, May 1997