



LUND UNIVERSITY

Model-Based Comparison of Antibody Dimerization in Continuous and Batch-Wise Downstream Processing

Sellberg, Anton; Ojala, Frida; Nilsson, Bernt

Published in:
Antibodies

DOI:
[10.3390/antib4030157](https://doi.org/10.3390/antib4030157)

2015

[Link to publication](#)

Citation for published version (APA):

Sellberg, A., Ojala, F., & Nilsson, B. (2015). Model-Based Comparison of Antibody Dimerization in Continuous and Batch-Wise Downstream Processing. *Antibodies*, 4(3), 157-169. <https://doi.org/10.3390/antib4030157>

Total number of authors:
3

General rights

Unless other specific re-use rights are stated the following general rights apply:

Copyright and moral rights for the publications made accessible in the public portal are retained by the authors and/or other copyright owners and it is a condition of accessing publications that users recognise and abide by the legal requirements associated with these rights.

- Users may download and print one copy of any publication from the public portal for the purpose of private study or research.
- You may not further distribute the material or use it for any profit-making activity or commercial gain
- You may freely distribute the URL identifying the publication in the public portal

Read more about Creative commons licenses: <https://creativecommons.org/licenses/>

Take down policy

If you believe that this document breaches copyright please contact us providing details, and we will remove access to the work immediately and investigate your claim.

LUND UNIVERSITY

PO Box 117
221 00 Lund
+46 46-222 00 00

Article

Model-Based Comparison of Antibody Dimerization in Continuous and Batch-Wise Downstream Processing

Anton Sellberg, Frida Ojala and Bernt Nilsson *

Department of Chemical Engineering, Lund University, P.O. Box 124, SE-221 00 Lund, Sweden;
E-Mails: anton.sellberg@chemeng.lth.se (A.S.); frida.ojala@chemeng.lth.se (F.O.)

* Author to whom correspondence should be addressed; E-Mail: bernt.nilsson@chemeng.lth.se;
Tel.: +46-46-222-80-88.

Academic Editor: Zivko Nikolov

Received: 31 March 2015 / Accepted: 6 July 2015 / Published: 10 July 2015

Abstract: Monoclonal antibodies are generally produced using a generic platform approach in which several chromatographic separations assure high purity of the product. Dimerization can occur during the fermentation stage and may occur also during the downstream processing. We present here simulations in which a traditional platform approach that consist of protein A capture, followed by cation-exchange and anion-exchange chromatography for polishing is compared to a continuous platform in which dimer removal and virus inactivation are carried out on a size-exclusion column. A dimerization model that takes pH, salt concentration and the concentration of antibodies into account is combined with chromatographic models, to be able to predicted both the separation and the degree to which dimers are formed. Purification of a feed composition that contained 1% by weight of dimer and a total antibody concentration of 1 g/L was modeled using both approaches, and the amount of antibodies in the continuous platform was at least 4 times lower than in the traditional platform. The total processing time was also lower, as the cation-exchange polish could be omitted.

Keywords: dimerization; downstream processing; modeling

1. Introduction

The use of monoclonal antibodies as biopharmaceuticals is becoming more popular [1,2], and thus antibody dimerization during preparation and the subsequent removal of aggregates are becoming increasingly studied areas. When modeling the purification of antibodies from dimers, the main focus has been on the removal of dimers produced during the upstream processing. Dimerization that occurs during the upstream processing is, however not a major purification problem, since the removal of such dimers is a straightforward problem in process design. The removal of dimers formed during the downstream processing, however, is more complicated.

Monoclonal antibodies are usually produced in a bioreactor, and a series of separation steps is subsequently used to isolate and purify the product [2–4]. This downstream processing normally consists of chromatographic purification steps that are run in batch mode, with storage tanks between each unit operation. Great efforts have been dedicated to minimizing the idle time and the volume and number of unit operations in the downstream processing. An increased interest in personalized pharmaceuticals and the technical advances in disposable equipment and protein capture have made it possible to run an integrated downstream process in which the storage tanks can be replaced with size-exclusion chromatography (SEC) columns.

Several models have been developed to describe the separation of antibodies, dimers and other impurities during the downstream processing. Perez-Almodovar and Carta [5] showed that break-through of a protein A column can be modeled with different mechanistic models. Ng *et al.* [6] showed how an integrated calibration and optimization could be used to model and optimize a protein A capture step of polyclonal IgG. Borg *et al.* [7] used modeling to study the effects of twelve process parameters on the separation process in a cation-exchange chromatography (CIEX) step. These models, however, do not include the dimerization that occurs during the separation steps. Guo *et al.* [8] showed that dimerization can occur due to interaction with the stationary phase, while Ojala *et al.* [9] showed that dimers of the antibodies are formed in the mobile phase. Arosio *et al.* [10] expanded the Lumry-Eyring model [11] to include the effects of reversibility.

The concentration of dimers in the downstream process changes as the buffer conditions change [12]. Removal of the dimers results in a loss of monomeric antibodies, as the removal can drive the reaction to form even more dimers. Hold-up times of up to a couple of hours are common between process steps in the downstream processing [13]. Dimerization is a time-dependent reversible process [9], and it is therefore desirable to know how these hold-up times influence the yield of the process.

We present here a comparison between a continuous process and a batch-wise process, and we focus on the influence of the reversible dimerization reaction. Mechanistic models for the various chromatographic steps and for the dimerization in the mobile phase are used to predict the dimerization during the downstream processing. Chromatographic separation run in bind and elute mode can cause antibody unfolding and dimerization, and it is therefore important to evaluate whether such steps are necessary. Two different processes are considered. First, a batch-wise approach to antibody production is considered in which protein A is used as a capture step, followed by virus inactivation and cation-exchange chromatography. Second, an integrated approach is considered, in which the pool from protein A capture is directly loaded onto a SEC column, which not only inactivates viruses but

also separates dimers. The dimerization occurring on the stationary phase is disregarded and the study focuses on dimerization in the mobile phase.

2. Theory

2.1. Downstream Processing Platform

The design of the downstream processing platform differs between different antibodies and between different manufacturers. Figure 1 shows a batch-wise and a continuous antibody purification process.

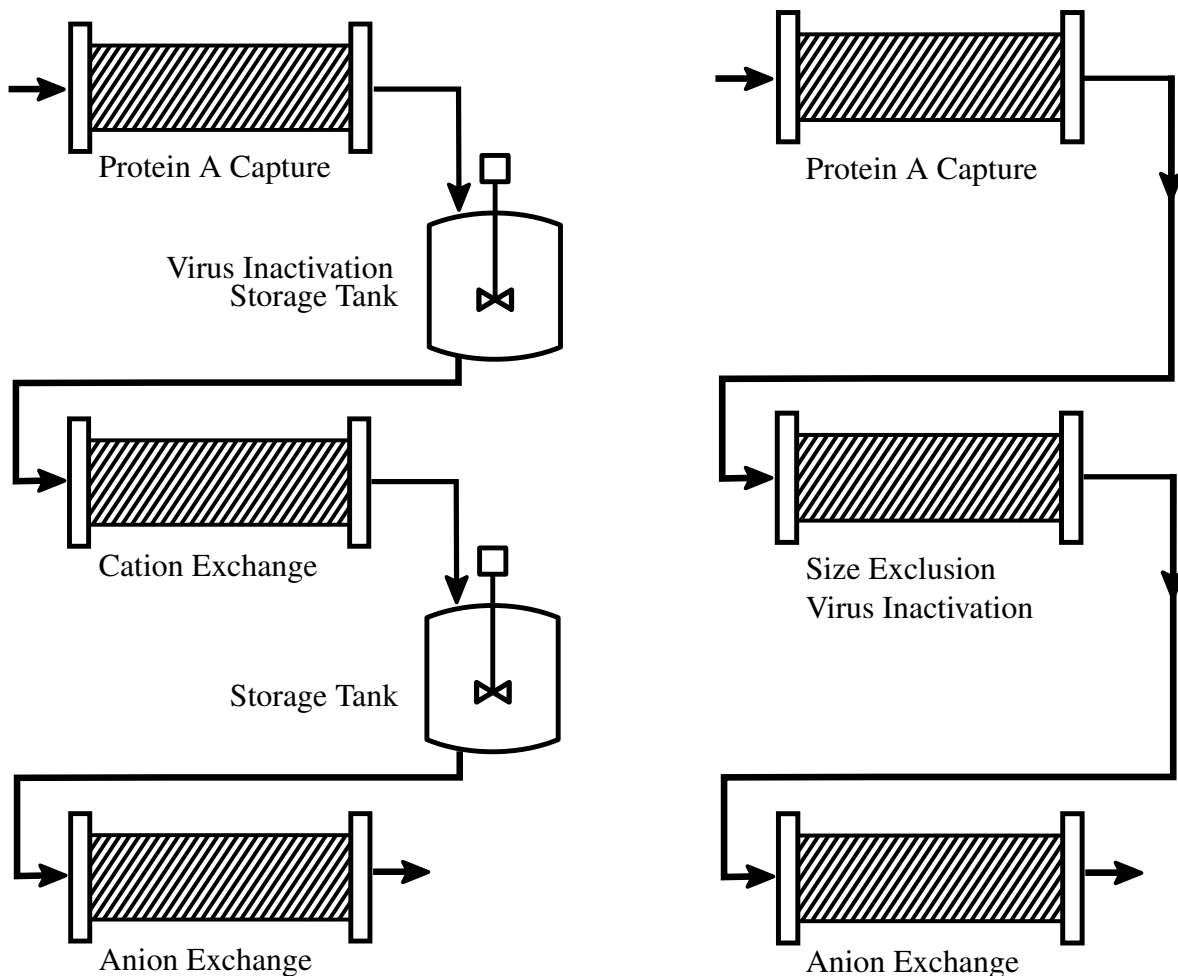


Figure 1. A batch-wise process is shown on the left and a continuous process on the right.

Protein A chromatography is used as the capture step at the beginning of the purification process in two thirds of commercially available antibody downstream processes [2]. In this step, antibodies and aggregates bind to the stationary phase, while impurities are eluted. The Fc region of the antibody is the part that binds to the protein A in the column [14]. This is a hydrophobic interaction that is pH-sensitive. The adsorption becomes weaker when the pH is lowered, and the antibodies are eluted. To make the downstream process continuous some buffer exchange step is needed. The buffer exchange step can be realized by adding a SEC column after the Protein A capture. The SEC step can then both

remove aggregates and change the buffer conditions. The following AIEX step can then be run in weak partitioning mode [15] to remove host cell proteins (HCP) and leached Protein A.

2.1.1. Batch-Wise Processes

A virus inactivation step, during which the pH is lowered to 3.8, follows the capture [4]. This pH is maintained for an hour before it is adjusted to a pH that is suitable for the polishing steps. The polishing steps usually take place on a cation-exchange chromatography (CIEX) column and an anion-exchange chromatography (AIEX) column. The antibodies are loaded onto the CIEX column in a buffer at pH 5 with a sodium chloride concentration of 100 mM. A salt gradient from 100 mM to 600 mM is used to elute the antibodies. The AIEX column is run in weak partitioning mode and can be disregarded, as aggregates do not form at the conditions at which it is operated.

The concentration of antibodies is very high at certain stages of the capture step and during the CIEX polishing step. The elution conditions, low pH and high salt concentration, may also promote the formation of aggregates [9].

2.1.2. Continuous Processes

Size-exclusion columns (SECs) are used in continuous processes, instead of the storage tanks, and the virus inactivation step, of the batch-wise processes. The pH in the column is lowered to 3.8 and maintained at this value for an hour to inactivate the viruses. The pH is then increased to 8 and the salt concentration maintained at 100 mM to prepare the antibodies for loading onto the AIEX column. Downstream processing in this case comprises only three operations, in contrast to the five required during batch-wise processes. Furthermore, the steps of binding to the CIEX column and elution for it, which can cause additional dimerization are omitted.

2.2. Aggregation Model

The reaction model, developed by Ojala *et al.* [9], is based on a reversible reaction in which monomeric antibodies (M) form dimers (D) according to:



The reaction rate, denoted $Q_{T,i}$, $Q_{b,i}$ and $Q_{p,i}$ in Equations (5), (9) and (13) can thus be described by:

$$Q_{j,i} = \xi_i k_k (K_{eq} C_{j,M}^2 - C_{j,D}), \quad i \in \{M, D\}, \quad j \in \{T, b, p\} \quad (2)$$

where ξ_i is 1 for dimers and -2 for monomers, k_k is the dissociation rate constant, $C_{j,M}$ is the molar concentration of monomers, $C_{j,D}$ is the molar concentration of dimers and K_{eq} the equilibrium constant which depends on the concentration of salt, s , according to Equation (3). Subindex j denotes the domain in which the reaction takes place, T is the mobile phase outside and inside of the particle pores, b is the mobile phase outside of the particle pores and p is the mobile phase inside the particle pores.

$$K_{eq} = -0.39s + 380 \quad (3)$$

The dissociation rate constant, k_k depends on pH according to:

$$\log(k_k) = -1.8pH + 3.7 \quad (4)$$

2.3. Column Models

Ng *et al.* [6] have presented a column model that describes the protein A capture on an AbSolute column of volume 1.67 mL. The model assumed an antibody feed with a concentration of 1 g/L at pH 7.4, containing 1% by weight of dimers. It was assumed that dimers have the same kinetic and transport properties as monomers. The column was loaded for 15 column volumes (CV) then washed for 3 CV. Antibodies were eluted by 3 CV at pH 3.8. This model was used to predict the separation in the Protein A capture step. Ojala [16] have presented a SEC column model for the separation of antibodies on a Superdex 200 column of volume 319 mL which was used to predict the separation in the SEC column step. Borg *et al.* [7] have presented a model to describe the CIEEX separation on a Fractogel SO_3^- column of volume 133 mL. Antibodies were eluted using a salt gradient of volume 20 CV from 100 mM to 600 mM at a flow rate of 4.8 CV/h. The CIEEX polishing step was modeled using this model.

2.3.1. Protein A Column Model

A transport-dispersive model [6] (Equations (5)–(8)) with an additional reaction term (Equation (2)) was used to describe the separation during the capture step:

$$\frac{\partial C_{T,i}}{\partial t} = D_{app} \frac{\partial^2 C_{T,i}}{\partial z^2} - \frac{v}{\varepsilon_T} \frac{\partial C_{T,i}}{\partial z} - \frac{1 - \varepsilon_T}{\varepsilon_T} \frac{\partial q_i}{\partial t} - Q_{T,i} \quad (5)$$

where $C_{T,i}$ is the concentration of component i in the mobile phase, t is time, D_{app} is the apparent dispersion, z is the axial coordinate, v is the superficial velocity, ε_T is the total void ratio and q_i is the concentration of component i in the stationary phase. The rate of adsorption is given by:

$$\frac{\partial q_i}{\partial t} = k_m (q_i^* - q_i) \quad (6)$$

where k_m is the mass transfer coefficient and q_i^* is the concentration of component i in the stationary phase at equilibrium. The mass transfer coefficient and the concentrations at equilibrium are given by Equations (7) and (8).

$$k_m = k_{max} \left[S_1 + (1 - S_1) \left(1 - \sum \frac{q_i}{q_{max}} \right)^{S_2} \right] \quad (7)$$

$$q_i^* = \frac{q_{max} K_A \left(\frac{pH}{pH_{ref}} \right)^n C_{T,i}}{1 + K_A \left(\frac{pH}{pH_{ref}} \right)^n C_{T,i}} \quad (8)$$

where k_{max} is the maximum mass transfer coefficient, S_1 is a saturation-dependent constant, S_2 is the saturation-dependent order, q_{max} is the maximum binding capacity, K_A is the association equilibrium constant, pH_{ref} is the reference pH and n is the pH-dependent equilibrium order.

2.3.2. IEX and SEC Column Models

A general rate model was used to describe the separation in the CIEX and SEC column:

$$\frac{\partial C_{b,i}}{\partial t} = D_{ax} \frac{\partial^2 C_{b,i}}{\partial z^2} - u \frac{\partial C_{b,i}}{\partial z} - \frac{3}{R_p} \frac{1 - \varepsilon_c}{\varepsilon_c} k_{f,i} (C_{p,i}|_{r=R_p} - C_{b,i}) - Q_{b,i} \quad (9)$$

where $C_{b,i}$ is the concentration of component i in the mobile phase outside of the particle pores, t is time, z the axial coordinate, R_p is the stationary phase particle radius, ε_c the column void ratio and r the radial coordinate. $Q_{b,i}$ is described by Equation (2). The dispersion coefficient, D_{ax} , is given by:

$$D_{ax} = \frac{2R_p u}{Pe} \quad (10)$$

where Pe is the Peclet number, and the interstitial velocity, u , is calculated using Equation (11):

$$u = \frac{F}{\varepsilon_c R_{col}^2 \pi} \quad (11)$$

where F is the flow rate, R_{col} the column radius. The film transport rate for component i , $k_{f,i}$ is described by the Wilson-Geankopolis correlation:

$$k_{f,i} = 1.09 \frac{u^{1/3}}{\varepsilon_c} \left(\frac{D_{M,i}}{2R_p} \right)^{2/3} \quad (12)$$

where $D_{M,i}$ is the free diffusion coefficient. The concentration of component i in the mobile phase inside the particle pores, $C_{p,i}$, is calculated using:

$$\frac{\partial C_{p,i}}{\partial t} = \frac{1}{r^2 \varepsilon_{p,i}} \frac{\partial \left(r^2 D_{e,i} \frac{\partial C_{p,i}}{\partial r} \right)}{\partial r} - \frac{1 - \varepsilon_p}{\varepsilon_{p,i}} \frac{\partial q_i}{\partial t} - Q_{p,i} \quad (13)$$

where $\varepsilon_{p,i}$ is the apparent particle porosity for component i , $D_{e,i}$ is the effective diffusion coefficient of component i , ε_p the particle porosity and $Q_{p,i}$ is the reaction rate, as given by Equation (2). No adsorption occurs in the SEC column, thus $\partial q_i / \partial t$ is zero. Adsorption of the components in the CIEX column is described by a steric mass action model [17,18]:

$$\frac{\partial q_i}{\partial t} = k_{kin,i} \left(C_{p,i} H_i \left(1 - \sum_{j=1}^{n_{comp}} \frac{q_j}{q_{max,j}} \right)^{\nu_i} - s^{\nu_i} q_i \right) \quad (14)$$

where $k_{kin,i}$ is the adsorption kinetic parameter for component i , H_i is the equilibrium of adsorption for component i and ν_i the amount of ligands bound to component i . The maximum amount of component i that can be adsorbed on to the particle surface, $q_{max,i}$, is given by:

$$q_{max,i} = \frac{\Lambda}{\nu_i + \sigma_i} \quad (15)$$

where Λ is the total amount of ligands on the surface of the particle and σ_i the amount of ligands blocked by component i . Equation (16) is used to preserve electroneutrality.

$$\frac{\partial s}{\partial t} = - \sum \nu_i \frac{1 - \varepsilon_p}{\varepsilon_{p,i}} \frac{\partial q_i}{\partial t} \quad (16)$$

2.4. Boundary Conditions and Initial Values

A Dirichlet boundary condition was used in the column inlet (Equation (17)) and a homogeneous von Neumann boundary condition was used at the outlet (Equation (18)) for the transport-dispersive model. During the loading of the column the concentration in the inlet is the same as the feed concentration, 1 g/L in total, otherwise the inlet concentration is zero. The time at which the load starts is denoted t_0 and the final time of the load is denoted t_f . The column is initially assumed to contain only buffer solution and no monomers or dimers in either mobile or stationary phase (Equation (19)).

$$C_i|_{z=0} = C_{T,i,inlet}(t) \quad \text{where} \quad C_{T,i,inlet}(t) \neq 0 \text{ for } t_0 < t < t_f \quad (17)$$

$$\left. \frac{\partial C_{T,i}}{\partial z} \right|_{z=L} = 0 \quad (18)$$

where L is the length of the column.

$$C_{T,i}(t = 0, z) = C_{T,i,initial}, \quad q_i(t = 0, z) = 0 \quad (19)$$

For the general rate model, a Dirichlet boundary condition was used in the column inlet (Equation (20)) and a homogeneous von Neumann boundary condition was used at the outlet (Equation (21)). For the batch process the inlet concentration was set to the storage tank concentration during the loading and for the continuous process the inlet concentration was set to the outlet concentration of the previous column. The time at which the load starts is denoted τ_0 and the final time of the load is denoted τ_f . The column is initially assumed to contain only buffer solution and no monomers or dimers in either mobile or stationary phase (Equation (22)).

$$C_{b,i}|_{z=0} = C_{b,i,inlet}(t) \quad \text{where} \quad C_{b,i,inlet}(t) \neq 0 \text{ for } \tau_0 < t < \tau_f \quad (20)$$

$$\left. \frac{\partial C_{b,i}}{\partial z} \right|_{z=L} = 0 \quad (21)$$

$$C_{b,i}(t = 0, z) = C_{b,i,initial}, \quad C_{p,i}(t = 0, z) = C_{p,i,initial}, \quad q_i(t = 0, z) = 0 \quad (22)$$

A flux boundary condition was used for the particle surface (Equation (23)) and a homogeneous von Neumann boundary condition was used at the center of the particle (Equation (24)).

$$\left. \frac{\partial C_{p,i}}{\partial r} \right|_{r=R_p} = \frac{k_{f,i}}{D_{e,i}} (C_{p,i}|_{r=R_p} - C_{b,i}) \quad (23)$$

$$\left. \frac{\partial C_{p,i}}{\partial r} \right|_{r=0} = 0 \quad (24)$$

2.5. Simulation

The transport-dispersive model used to describe the protein A capture step was discretized using the Method of Lines [19]. The spatial derivatives were approximated using the finite volume method [20] with 100 finite volumes in the axial direction. For the SEC and CIEX columns, 100 finite volumes were used in the axial dimension, and seven volumes were used in the radial dimension. A fifth-order weighted essentially non-oscillating scheme (WENO) [21] was used to estimate the convection in the columns, and

a central second-order approximation was used for the diffusion in the particles. The resulting sets of ordinary differential equations were solved using the ode15s [22] function in MATLAB.

3. Results and Discussion

Figure 2 shows the chromatogram obtained when the capture steps were run under the same conditions in the two processes. Essentially no dimers are formed during the protein A capture, as can be seen in Table 1. This was expected, as the model considers only the dimerization in the mobile phase. Even though the concentration of antibodies is five times higher in the collected pool than in the load, and the pH and salt concentrations are low, the time spent under those conditions is much shorter than the time spent adsorbed on stationary phase.

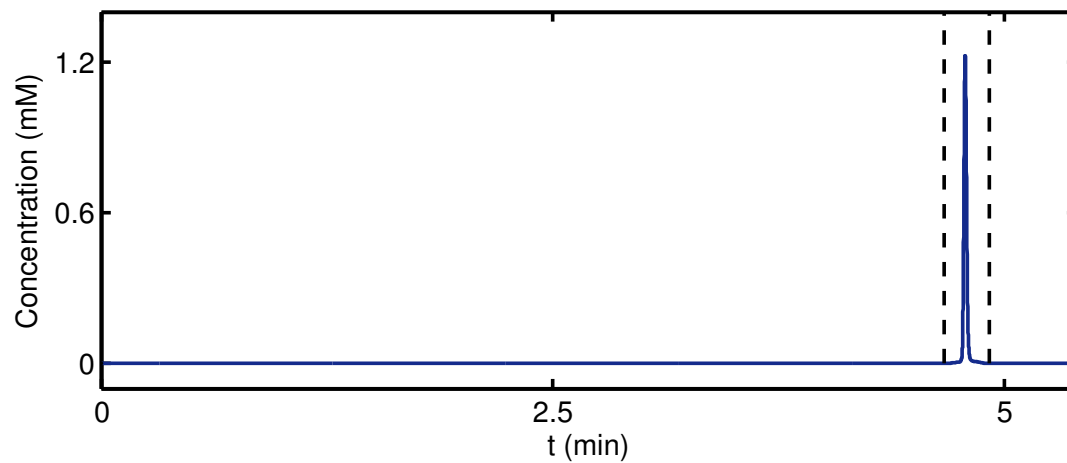


Figure 2. Simulated protein A capture chromatogram. As identical conditions are used, identical chromatograms were obtained in the batch-wise and continuous processes. The solid line (—) is the total concentration of antibodies in the eluate from the column, $\sum_{i \in \{M,D\}} C_{T,i}(t, z = L)$, and the dashed lines (---) the cut points for pooling.

Table 1. The massfraction of dimer, x_D , after the different unit operations in the batch and continuous processes. The values for cation-exchange chromatography (CIEX) and ize-exclusion chromatography (SEC) elute are the integral mean of the total dimer fraction in the column outlet, *i.e.*, not the dimer fraction in the pool.

	Fraction of Dimer, x_D	
	Batch	Continuous
Protein A Feed		$1.000 \cdot 10^{-2}$
Protein A Elute		$1.005 \cdot 10^{-2}$
End of Virus Inactivation	$4.825 \cdot 10^{-2}$	
End of Storage	$4.857 \cdot 10^{-2}$	
CIEX Elute	$4.948 \cdot 10^{-2}$	
SEC Elute		$1.005 \cdot 10^{-2}$

Figure 3 shows the mass fraction of dimers during all three operations in the batch-wise process. The pool was collected and held at a pH of 3.8 for an hour to inactivate viruses after the capture step. These conditions are very harsh, and the mass fraction of dimer increases from $1.005 \cdot 10^{-2}$ to $4.825 \cdot 10^{-2}$. Aggregation is known to occur during the virus inactivation step [2]. After the virus inactivation, the pH was increased to 5 and the antibodies were stored for 7 h. Some dimers formed during storage and the mass fraction of dimers increased to $4.857 \cdot 10^{-2}$ but the increase was much smaller than the increase during virus inactivation.

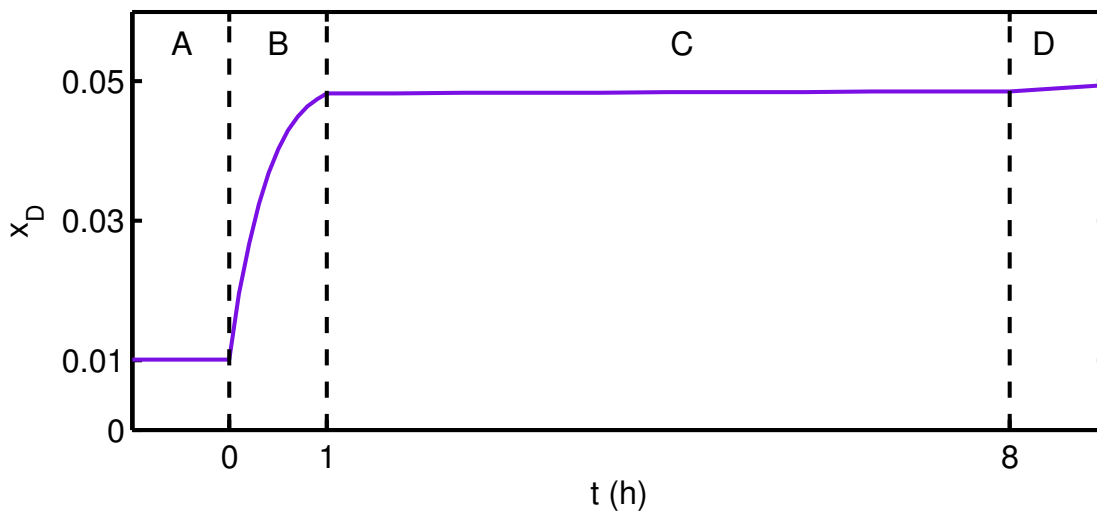


Figure 3. x_D during batch-wise downstream processing. (A) is the upstream processing and protein A capture; (B) is the virus inactivation; (C) is the storage and pH adjustment and (D) is the CIEX polishing.

The mass fraction of dimers increased to $4.948 \cdot 10^{-2}$ during the CIEX polish. A fairly small increase considering that the concentration of antibodies is very high during the elution. This may be due to the fact that dimerization is very slow at pH 5, and the equilibrium is shifted towards monomers at high salt concentrations [9], which are conditions in which the antibodies are eluted. The interaction of antibodies with the stationary phase promotes the formation of aggregates [23–25], but the mechanism is unknown. Figure 4 presents the simulated chromatogram of the CIEX step. The dimer concentration is multiplied by ten to give the same scale as the monomer concentration.

In continuous downstream processing, the pool that elutes after the protein A capture is loaded directly onto the SEC column. The flow rate is lowered to achieve a residence time of one hour at pH 3.8, after which the antibodies are eluted at pH 8. Figure 5 shows the excellent separation of monomers and dimers on the SEC column. The disadvantage of separating monomers and dimers on the SEC column is that the capacity of the column is much lower than the capacity of a CIEX column. To compensate for the lower capacity, a larger column and more solvent is needed to obtain the same productivity. There are two main advantages of the continuous process. First, a CIEX polishing step is not needed to remove aggregates, since the dimers and monomers can be separated. Second, very few dimers are formed during the virus inactivation (Figure 5). The dimer concentration is multiplied by ten to give the same scale as the monomer concentration. The separation of monomers and dimers would promote the formation of

dimers, but separation as well as dilution, due to the dispersion in the column, will keep the concentration of monomer and dimer at the equilibrium.

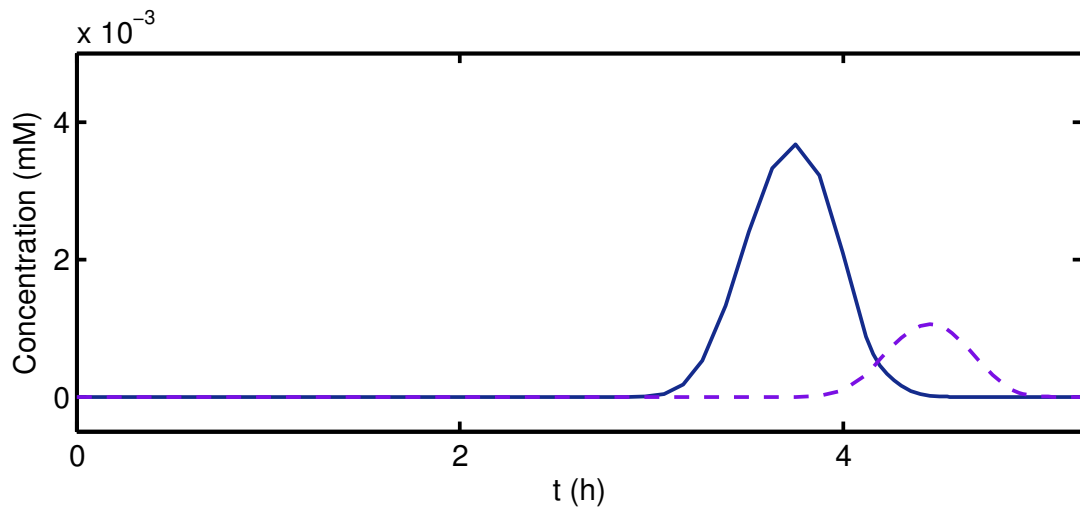


Figure 4. Chromatogram for the CIEX polishing and removal of aggregates during the batch-wise process. Solid line (—) is the monomers and dashed line (---) is the ten times the dimers concentration.

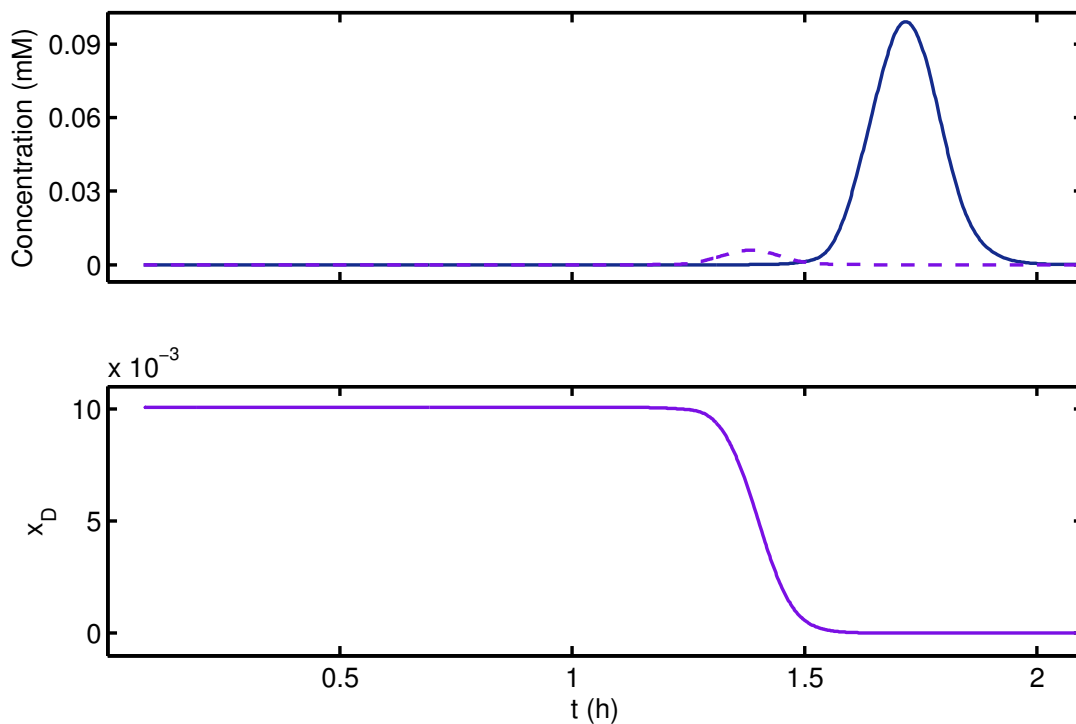


Figure 5. The top figure shows the simulated chromatogram during continuous virus inactivation. Solid line (—) is the monomers and dashed line (---) is the ten times the dimers concentration. The bottom figure shows how x_D changes over time in the column. As the dimers elute, x_D approached zero.

These advantages needs to be weighed against the disadvantages, *i.e.*, larger column and solvent consumption in the SEC column.

There are several types for monoclonal antibodies which may exhibit other types or pathways for dimerization. Arosio *et al.* [10] showed another pathway for dimerization and formation of higher order aggregates under the same conditions as used in this paper. The results presented in this paper might not be applicable if the antibodies follow another aggregation pathway as the amount and type of dimer may vary from the dimers studies here. Irreversible dimers and higher order aggregates can be removed early on as they do not affect amount of monomers. To maximize the yield, reversible dimers should not be removed during the downstream processing as they can form monomers again before or during the formulation. The drawback is that reformation of monomers from dimers can be very slow and the overall productivity of the process will be lower. Ojala *et al.* [9] showed that reformation of monomers from dimers can take several days. Taking this into account the continuous process presented here would still be beneficial even if the reversible dimers are not removed during the downstream processing as the total process time is lower for the continuous process.

4. Conclusions

It is vital to include mobile phase dimerization when modeling batch-wise downstream processing, since it has a profound effect on the yield and productivity. This effect takes place both directly through loss of product, and indirectly through changes in concentration at the inlet to the CIEX. The fraction of dimers present changes most radically during the virus inactivation, due to the low pH and salt concentration. The amount of dimers formed as well as the process time will be lower when SEC columns are used, rather than storage tanks, during the downstream process. Thus, continuous downstream processing should be preferred over batch-wise operation from the point of view of minimizing the dimerization and process time.

Acknowledgments

The authors would like to acknowledge the support and funding from VINNOVA and Novo Nordisk A/S. Process Industrial Centre at Lund University and Process Industrial IT and Automation are acknowledged for their support.

Author Contributions

Anton Sellberg conducted most of the work and wrote the article. Frida Ojala and Bernt Nilsson helped design the study and analyse the data.

Conflicts of Interest

The authors declare no conflict of interest.

References

1. Hagel, L.; Jagschies, G.; Sofer, G. Biopharmaceuticals Today. In *Handbook of Process Chromatography*, 2nd ed.; Sofer, L., Ed.; Academic Press: Amsterdam, The Netherlands, 2008; pp. 1–22.
2. Marichal-Gallardo, P.A.; Álvarez, M.M. State-of-the-art in downstream processing of monoclonal antibodies: Process trends in design and validation. *Biotechnol. Prog.* **2012**, *28*, 899–916.
3. Westerberg, K. Modeling for Quality and Safety in Biopharmaceutical Production Processes. PhD Thesis, Lund University, Lund, Scania, Sweden, 2012.
4. Shukla, A.A.; Hubbard, B.; Tressel, T.; Guhan, S.; Low, D. Downstream processing of monoclonal antibodies—Application of platform approaches. *J. Chromatogr. B* **2007**, *848*, 28–39.
5. Perez-Almodovar, E.X.; Carta, G. IgG adsorption on a new protein A adsorbent based on macroporous hydrophilic polymers. I. Adsorption equilibrium and kinetics. *J. Chromatogr. A* **2009**, *1216*, 8339–8347.
6. Ng, C.K.; Osuna-Sanchez, H.; Valéry, E.; Sørensen, E.; Bracewell, D.G. Design of high productivity antibody capture by protein A chromatography using an integrated experimental and modeling approach. *J. Chromatogr. B* **2012**, *899*, 116–126.
7. Borg, N.; Brodsky, Y.; Moscariello, J.; Vunnum, S.; Vedantham, G.; Westerberg, K.; Nilsson, B. Modeling and robust pooling design of a preparative cation-exchange chromatography step for purification of monoclonal antibody monomer from aggregates. *J. Chromatogr. A* **2014**, *1359*, 170–181.
8. Guo, J.; Zhang, S.; Carta, G. Unfolding and aggregation of a glycosylated monoclonal antibody on a cation exchange column. Part I. Chromatographic elution and batch adsorption behavior. *J. Chromatogr. A* **2014**, *1356*, 117–128.
9. Ojala, F.; Degerman, M.; Hansen, T.B.; Broberg Hansen, E.; Nilsson, B. Prediction of IgG1 aggregation in solution. *Biotechnol. J.* **2014**, *9*, 800–804.
10. Arosio, P.; Barolo, G.; Müller-Späth, T.; Wu, H.; Morbidelli, M. Aggregation stability of a monoclonal antibody during downstream processing. *Pharm. Res.* **2011**, *28*, 1884–1894.
11. Lumry, R.; Eyring, H. Conformation changes of proteins. *J. Phys. Chem.* **1954**, *58*, 110–120.
12. Chi, E.Y.; Krishnan, S.; Randolph, T.W.; Carpenter, J.F. Physical stability of proteins in aqueous solution: Mechanism and driving forces in nonnative protein aggregation. *Pharm. Res.* **2003**, *20*, 1325–1336.
13. Kelley, B. Very large scale monoclonal antibody purification: The case for conventional unit operations. *Biotechnol. Progr.* **2007**, *23*, 995–1008.
14. Deisenhofer, J. Crystallographic refinement and atomic models of a human Fc fragment and its complex with fragment B of protein A from *Staphylococcus aureus* at 2.9 and 2.8 Å resolution. *Biochemistry* **1981**, *20*, 2361–2370.

15. Kelley, B.; Tobler, S.A.; Brown, P.; Coffman, J.L.; Godavarti, R.; Iskra, T.; Switzer, M.; Vunnum, S. Weak partitioning chromatography for anion exchange purification of monoclonal antibodies. *Biotechnol. Bioeng.* **2008**, *101*, 553–566.
16. Ojala, F. Modeling Antibody Aggregation in Downstream Processing. PhD Thesis, Lund University, Lund, Scania, Sweden, 2015.
17. Brooks, C.A.; Cramer, S.M. Steric mass-action ion exchange: Displacement profiles and induced salt gradients. *AIChE J.* **1992**, *38*, 1969–1978.
18. Karlsson, D.; Jakobsson, N.; Brink, K.J.; Axelsson, A.; Nilsson, B. Methodologies for model calibration to assist the design of a preparative ion-exchange step for antibody purification. *J. Chromatogr. A* **2004**, *1033*, 71–82.
19. Davis, M.E. *Numerical methods and modeling for chemical engineers*; John Wiley & Sons: New York, NY, 1984.
20. LeVeque, R.J. *Finite Volume Methods for Hyperbolic Problems*; Cambridge University Press: Cambridge, UK, 2002, Volume 31.
21. Shu, C.W. *Essentially Non-Oscillatory and Weighted Essentially Non-Oscillatory Schemes for Hyperbolic Conservation Laws*; Springer: Berlin, Germany; Heidelberg, Germany, 1998.
22. Shampine, L.F.; Reichelt, M.W. The matlab ode suite. *SIAM J. Sci. Comput.* **1997**, *18*, 1–22.
23. Voitl, A.; Butté, A.; Morbidelli, M. Behavior of human serum albumin on strong cation exchange resins: I. Experimental analysis. *J. Chromatogr. A* **2010**, *1217*, 5484–5491.
24. Gillespie, R.; Nguyen, T.; Macneil, S.; Jones, L.; Crampton, S.; Vunnum, S. Cation exchange surface-mediated denaturation of an aglycosylated immunoglobulin (IgG1). *J. Chromatogr. A* **2012**, *1251*, 101–110.
25. Marek, W.; Muca, R.; Woś, S.; Piątkowski, W.; Antos, D. Isolation of monoclonal antibody from a Chinese hamster ovary supernatant. II: Dynamics of the integrated separation on ion exchange and hydrophobic interaction chromatography media. *J. Chromatogr. A* **2013**, *1305*, 64–75.

© 2015 by the authors; licensee MDPI, Basel, Switzerland. This article is an open access article distributed under the terms and conditions of the Creative Commons Attribution license (<http://creativecommons.org/licenses/by/4.0/>).