



# LUND UNIVERSITY

## A 24-GHz Automotive Radar Transmitter with Digital Beam Steering in 130-nm CMOS

Wernehag, Johan; Sjöland, Henrik

*Published in:*

2006 2nd Conference on Research in Microelectronics and Electronics

*DOI:*

[10.1109/RME.2006.1689998](https://doi.org/10.1109/RME.2006.1689998)

2006

[Link to publication](#)

*Citation for published version (APA):*

Wernehag, J., & Sjöland, H. (2006). A 24-GHz Automotive Radar Transmitter with Digital Beam Steering in 130-nm CMOS. In *2006 2nd Conference on Research in Microelectronics and Electronics* (pp. 481-484). IEEE - Institute of Electrical and Electronics Engineers Inc.. <https://doi.org/10.1109/RME.2006.1689998>

*Total number of authors:*

2

### General rights

Unless other specific re-use rights are stated the following general rights apply:

Copyright and moral rights for the publications made accessible in the public portal are retained by the authors and/or other copyright owners and it is a condition of accessing publications that users recognise and abide by the legal requirements associated with these rights.

- Users may download and print one copy of any publication from the public portal for the purpose of private study or research.
- You may not further distribute the material or use it for any profit-making activity or commercial gain
- You may freely distribute the URL identifying the publication in the public portal

Read more about Creative commons licenses: <https://creativecommons.org/licenses/>

### Take down policy

If you believe that this document breaches copyright please contact us providing details, and we will remove access to the work immediately and investigate your claim.

LUND UNIVERSITY

PO Box 117  
221 00 Lund  
+46 46-222 00 00

# A 24-GHz Automotive Radar Transmitter with Digital Beam Steering in 130-nm CMOS

Johan Wernehag and Henrik Sjöland

Department of Electrosience

Lund University

Box 118, 221 00 Lund Sweden

Email: {Johan.Wernehag, Henrik.Sjoland}@es.lth.se

**Abstract**—In this paper simulations of a 130-nm CMOS 24-GHz automotive radar transmitter with digital beam steering is presented. The beam steering is performed by multiple PAs connected to separate antenna elements. The output phases of the PAs are individually controllable through  $360^\circ$  by binary weighting of quadrature phases. The circuit contains 18 PAs, each delivering 0 dBm to the antenna, resulting in a combined output power of 13 dBm. The 18 element antenna array will at 24 GHz be 11 cm, and have a directivity of 12 dB and a half power beam width of 5 degrees.

## I. INTRODUCTION

The car industry and the legislators are very interested in an automotive radar system. The injuries from car collisions cost the society a lot both in medical bills and in human tragedies. In the United States (US) alone motor vehicle crashes accounted for 42,000 deaths, more than 5.3 million injuries, and over \$231 billion in economic losses in 2000 [1]. Already today there is a system called Adaptive Cruise Control (ACC), or sometimes AICC, where I stands for Intelligent. The ACC system measures the distance to the closest vehicle ahead, either by radar or laser [2]–[4]. If the distance becomes too short the car closes its throttle, or if necessary the system will apply the brakes. If the vehicle ahead changes lane or accelerates, the ACC system will open the throttle and accelerate up to the speed preset by the cruise control. This system adds about \$1,500 - \$3,000 to the cost of the car [2]. The price of radar solutions has to go down if they are going to be available in all cars. This is the main reason for choosing standard CMOS technology. The cost of the system can then also be further reduced by integrating much of the digital functionality on the same chip.

The European Telecommunications Standards Institute (ETSI) has a temporary standard [5] for Short Range Radar (SRR) operating in the frequency band from 24.05 GHz to 24.25 GHz. The maximum Effective Isotropic Radiated Power (EIRP) is 20 dBm, limiting the maximum allowed output power. Furthermore, both ETSI and the Federal Communications Commission (FCC) have a license free UWB frequency band in this range<sup>1</sup>, which also can be used for automotive radar applications. A permanent frequency band in Eu-

rope and US is opened at 76-77 GHz with a maximum EIRP of 40 dBm and 48 dBm respectively [6], [7]. In Europe there is also a permanent location for anti-collision SRR at 79 GHz with an EIRP of 50 dBm [8]. With today's CMOS technologies 24 GHz operating frequency is possible, enabling low-cost implementation of 24 GHz SRR systems. In the coming years, CMOS technology feature sizes are predicted to decrease making also low-cost implementations of 77 GHz systems possible. According to the International Technology Roadmap for Semiconductors (ITRS) [9] the 45 nm node and beyond will have  $f_T$ 's higher than 200 GHz making them possible for 77 GHz implementation.

A typical specification for a 77 GHz radar front end can be seen in Table I, [3], [10]–[12]. Since our aim is to find a transmitter architecture that can be migrated to 77 GHz when sufficiently fast CMOS technology becomes available, we use this specification for our design, although the EIRP is a bit high.

TABLE I  
SPECIFICATION FOR A 77 GHz FRONT END

Transmitter	
Frequency	76-77 GHz
Modulation	FM-CW
Tx Phase Noise	<-80 dBc/Hz @ 100 kHz offset
Sweep Width	300 MHz
Range	2 → 150 m
Linearity	<0.5%
Transmit Power	10-15 dBm
Receiver	
Beam Width	3°
Field Of View	8°-20°
Beam Overlap	0.5°
Relative Speed	-200 → +100 km/h
Calculation Frequency	10 Hz
Range (for 1 m <sup>2</sup> target)	1-100 m

## II. AIR INTERFACE

The antenna has to have a high directivity and a small Half Power Beam Width (HPBW) to be able to ful-

<sup>1</sup>In the US the band is 22 GHz-29 GHz and in Europe 22.65 GHz-25.65 GHz.

fill the specification. In addition to that it should be steerable and mechanically stable. A linear array needs to be at least  $10\lambda_0$  to achieve the required HPBW. This corresponds to 4 cm at 77 GHz and 13 cm at 24 GHz. A linear array of  $\lambda/2$  dipole patches has been assumed, fed in the center by the differential signal from the PAs, see Fig. 1. The sup-

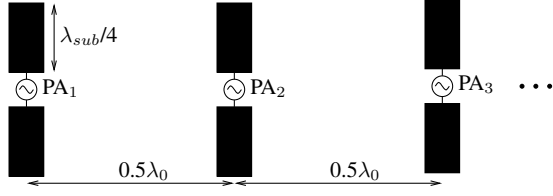


Fig. 1. The dipole patch antenna array with the PA feeding indicated

ply voltage to the PAs is inserted at the signal ground at end of the antenna patches. The physical size of the dipole antenna is  $\lambda_{sub}/2$ , where  $\lambda_{sub}$  is the wavelength in the patches on the substrate.

In Fig. 2 the radiation pattern is plotted when the beam is swept over Field Of View (FOV). To achieve a FOV of  $\pm 13^\circ$

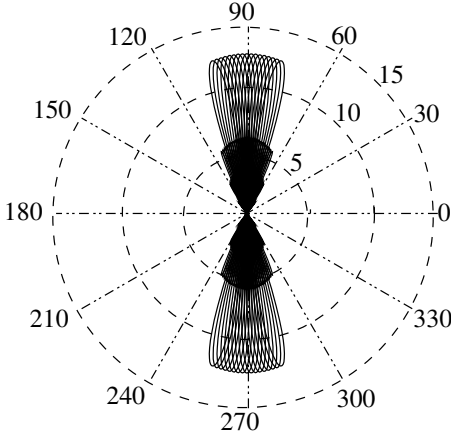


Fig. 2. Radiation patterns for  $\lambda/2$  spacings of the antenna elements

up to  $\pm 40^\circ$  phase difference of adjacent antenna elements is required. The PAs are not restricted to this FOV, however, since they can deliver any phase difference between the antenna elements.

The HPBW and directivity have been simulated, see Fig. 3. The phase between different elements was swept from  $40^\circ$  to  $-40^\circ$  giving  $\pm 13^\circ$  beam steering. As can be seen, the directivity is larger than 12 dB over the complete range and the HPBW is below 4.3 degrees. To achieve a HPBW of 3 degree or better over the full range the size of the antenna array would have to be increased. An increased antenna element spacing of  $0.65\lambda_0$  would give 3 degree HPBW with 18 antenna elements.

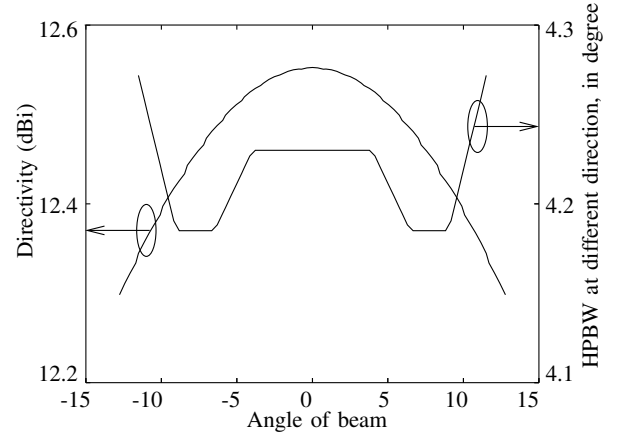


Fig. 3. HPBW and directivity with 18 antennas in a linear patch array and  $0.5\lambda_0$  spacing

### III. DESIGN AND SIMULATION

With today's CMOS processes, such as the 130 nm used in this paper, 77 GHz is a very high frequency. The aim is therefore set on the 24 GHz frequency band for car radar applications. The specifications in Table I are used for this band as well.

A block diagram of the beam steering multiple PA circuit can be seen in Fig. 4. Distributing the quadrature signal to the

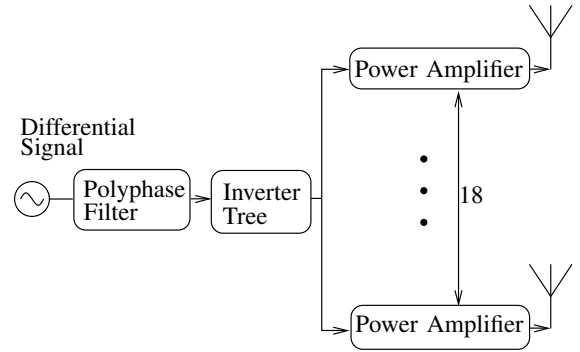


Fig. 4. Block diagram the car radar transmitter

18 PAs therefore requires long interconnect lines which has to be considered during simulation.

In the following sections the different parts of the circuit are described from left to right in Fig. 4.

#### A. Polyphase Filter

To convert the externally applied differential input signal to a quadrature signal, a passive polyphase filter [13] is used, see Fig 5. The filter has two links, tuned to a lower and a higher frequency. The filter is thereby rather broadband. For a  $\pm 2^\circ$  quadrature phase error the band is from 18 GHz to 29 GHz, and the voltage loss of the filter within that band is less than 11 dB, when loaded by the inverter tree.

To reach the high operating frequencies, the resistances of the filter must be low,  $45 \Omega$  and  $60 \Omega$  in the two stages.

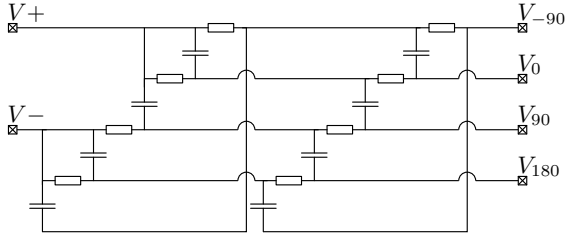


Fig. 5. The passive two stage polyphase filter

This results in an input impedance of about  $10-j14 \Omega$ . To get a  $50 \Omega$  input impedance of the circuit, better suited for the measurement equipment, an on-chip L-match network is used in-front of the polyphase filter.

### B. Inverter Tree Driver

Since the loading of 18 PAs is high (6.4 pF) a tree structure has been chosen for the driver circuit. The driver consists of five stages of inverters, see Fig. 6. Each inverter symbol in

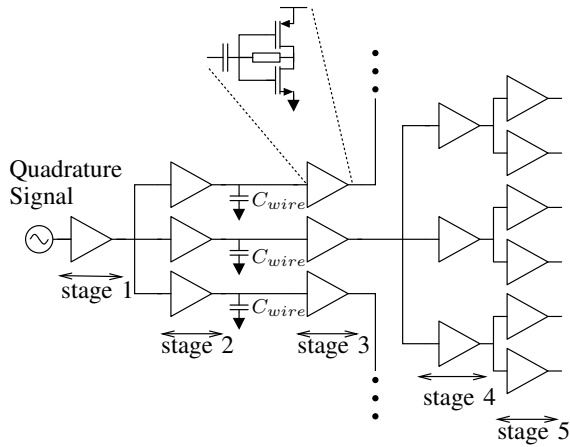


Fig. 6. Structure of the driver circuit for the PAs

Fig. 6 has four inverters, one for each phase of the quadrature signal. To stabilize the inverter output DC voltage at  $V_{dd}/2$ , a high ohmic resistive feedback is applied locally, and a DC-block capacitor is connected in series with the input to isolate the stages.

The purpose of the first stage in the inverter tree is to reduce the loading of the polyphase filter and to drive the three following inverters. The routing from the first to the third stage is long, thus an second stage is inserted to drive the interconnect wire and the inverters of the third stage. The capacitance of one of the interconnect wires is roughly 18 fF, and the series resistance in the same wire is below  $1 \Omega$ . From the third to the fifth stage the routing is local and thus the tree starts to grow, ending in 18 output branches.

The ratio of the output current and input current of the inverter tree, when placed in the transmitter circuit, is 3.3 times, achieving an amplitude of 112 mV at the PA input.

### C. Power Amplifier

A  $360^\circ$  phase steering PA fed by a quadrature signal has been designed, see Fig. 7. The binary weighted transistor banks gives the possibility to weight the phases differently by changing the control voltages,  $V_{x-y}$ . Then the transmitted signal from each PA can have an arbitrary phase<sup>2</sup>.

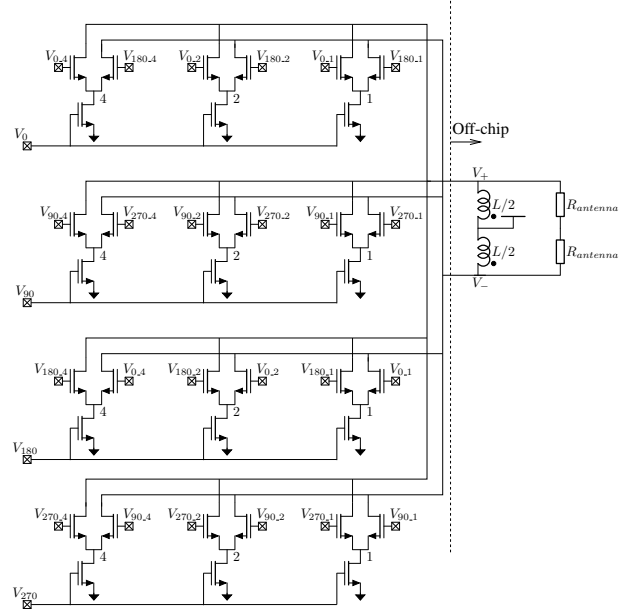


Fig. 7. Schematic of the power amplifier with three binary weighted transistors per bank

The power delivered to the antenna array should be 10 dBm, distributed among the 18 PAs. Each PA should then deliver at least -3 dBm, and is therefore designed to output 0 dBm into a  $60 \Omega$  load, giving a 3 dB margin for losses in antenna feeding networks. The  $60 \Omega$  patch resistance is obtained by tuning the feeding point,  $x$ , of the patch antenna according to (1a).  $R_{in}(x=0)$  is made high by making the patch width,  $W$ , small (1b) [14].

$$R_{in}(x) = R_{in}(x=0) \cos^2\left(\frac{\pi}{L}x\right) \quad (1a)$$

$$R_{in}(x=0) = \frac{1}{2G} = 45 \left(\frac{\lambda_0}{W}\right)^2 \quad W \ll \lambda_0 \quad (1b)$$

Thus the patch can be made small and matched to the PA at the same time.

It should be stressed that the inductors in Fig. 7 are on the antenna substrate and not on-chip, they are to be realized as stubs.

The phasor of one of the PAs has been swept over a quadrant and the result is plotted in Fig. 8 together with the ideal points. The other PA, which loads the same inverter one stage back, is set to  $45^\circ$  during the sweep.

<sup>2</sup>This is true if the discretization depth is large ( $\Rightarrow \infty$ ). In this case there are 40 different output phases with an output power within  $\pm 11\%$ .

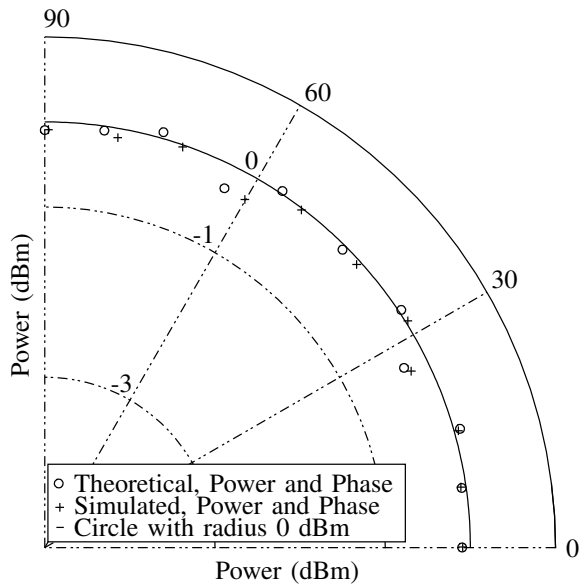


Fig. 8. The output phasors of a PA in one quadrant

#### D. Shift Register

To change the phase setting of the 18 PAs a shift register has been designed to serially clock in the digital phase control word that gives the new position of the beam. The total time for each beam position is about 10 ms, see Table I<sup>3</sup>. In this time slot a new phase setting must be clocked in, the circuit has to stabilize, and a new measurement be performed. To clock in the 216 ( $12 \times 18$ ) control signals does not take more than a couple of microseconds with a 100 MHz clock, which is not considered high in modern digital CMOS processes. The shift register is built with the cell shown in Fig. 9.

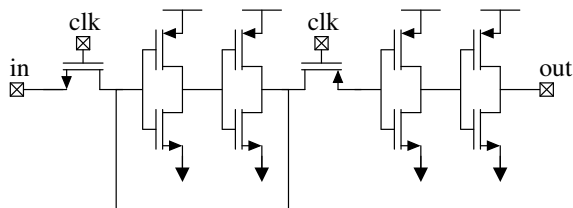


Fig. 9. Schematic of the shift register cell

The last inverter in the stage is larger than the preceding one. It is necessary to have a large driving capability of the last inverter to force a change in the next stage. In this case the last inverters are made  $4/3$  times larger.

#### IV. CONCLUSION

The results of the simulations support the idea that a low cost automotive radar system in CMOS can be built, enabling

<sup>3</sup>To sweep the FOV approximately 10 phase settings is required. This should be performed 10 times per second, thus giving 10 ms per phase setting.

increased safety on the roads.

It has been shown that the transmit power needed to get sufficient distance coverage is possible to deliver with 130 nm CMOS technology at 24 GHz, by use of multiple PAs. The multiple PAs deliver 13 dBm in total. They also support digital beam steering with good accuracy. Electrical beam steering makes the radar design more robust and less expensive than mechanical solutions.

#### ACKNOWLEDGMENT

The authors would like to thank United Microelectronics Corporation (UMC) for giving us the opportunity to work with a state of the art 130 nm CMOS process. They would also like to thank the Swedish Agency for Innovation Systems (Vinnova) for funding this project, which is a part of 'Techniques for Low Cost 60 GHz WLAN'.

#### REFERENCES

- [1] L. Blincoe, A. Seay, E. Zaloshnja, T. Miller, E. Romano, S. Luchter, and R. Spicer, "The Economic Impact of Motor Vehicle Crashes, 2000," *National Highway Traffic Safety Administration*, May 2002, report NO. DOT HS 809 446.
- [2] W. D. Jones, "Keeping Cars from Crashing," *IEEE Spectrum*, Sep. 2001.
- [3] J. Robinson, D. K. Paul, J. Bird, D. Dawson, T. Brown, D. Spencer, and B. Prime, "A Millimetric Car Radar Front End for Automotive Cruise Control," *IEE Journal Automotive Radar and Navigation Techniques*, no. 1, pp. 1–8, 1998.
- [4] G. R. Widmann, M. K. Daniels, L. Hamilton, L. Humm, B. Riley, J. K. Schiffmann, D. E. Schnelker, and W. H. Wishon, "Comparison of Lidar-Based and Radar-Based Adaptive Cruise Control Systems," *SAE Technical Paper Series*, 2000-01-0345.
- [5] ETSI EN 302 288-1, *Electromagnetic compatibility and Radio spectrum Matters (ERM); Short Range Devices; Road Transport and Traffic Telematics (RTTT); Short range radar equipment operating in the 24 GHz range; Part 1: Technical requirements and methods of measurement*, European Telecommunications Standards Institute, Dec. 2005.
- [6] ETSI TR 101 983 V1.1.1, *Electromagnetic compatibility and Radio spectrum Matters (ERM); Radio equipment to be used in the 76 GHz to 77 GHz band; System Reference Document for Short-Range Radar to be fitted on road infrastructure*, European Telecommunications Standards Institute, July 2001.
- [7] 47cfr15.253, *The FCC rules and regulations are codified in Title 47 of the Code of Federal Regulations*, Code of Federal Regulations, Oct. 2005.
- [8] ETSI TR 102 263 V1.1.2, *Electromagnetic compatibility and Radio spectrum Matters (ERM); Road Transport and Traffic Telematics (RTTT); Radio equipment to be used in the 77 GHz to 81 GHz band; System Reference Document for automotive collision warning Short Range Radar*, European Telecommunications Standards Institute, Feb. 2004.
- [9] International Technology Roadmap for Semiconductors (ITRS), <http://public.itrs.net/>.
- [10] I. Gresham, N. Jain, T. Budka, A. Alexanian, N. Kinayman, B. Ziegner, S. Brown, and P. Steacker, "A Compact Manufacturable 76-77 GHz Radar Module for ACC Applications," *IEEE Transactions on Microwave Theory and Techniques*, vol. 49, no. 1, pp. 44–58, Jan. 2001.
- [11] A. Kawakubo, S. Tokoro, Y. Yamada, K. Kuroda, and T. Kawasaki, "Electronically-Scanning Millimeter-Wave RADAR for Forward Object Detection," *SAE Technical Paper Series*, 2004-01-1122.
- [12] Prismark Discovery Series, "Automotive radar, cruising at 77 while stopping crashes at 24," *Prismark Partners LLC*, Dec. 2004.
- [13] F. Behbahani, Y. Kishigami, J. Leete, and A. A. Abidi, "CMOS Mixers and Polyphase Filters for Large Image Rejection," *IEEE Journal of Solid-State Circuits*, vol. 36, no. 6, June 2001.
- [14] C. A. Balanis, *Antenna Theory: Analysis and Design*. New York: John Wiley and Sons, Inc., 1996.